



Poncho™ Fenders

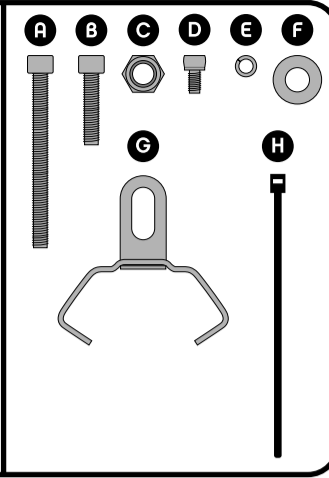
Thank you for buying our Poncho Fenders. We designed these beauties to be safe, functional and tough. It will take some time and patience to get them set up juuuust right on your bike. If you don't have time and patience, or are unsure of any part of the installation process, have your local bike shop do the installation. They've installed a lot of fenders and usually have a trick or two up their sleeves for making fenders work with uncooperative frame designs.

Have Fun. Stay Dry.

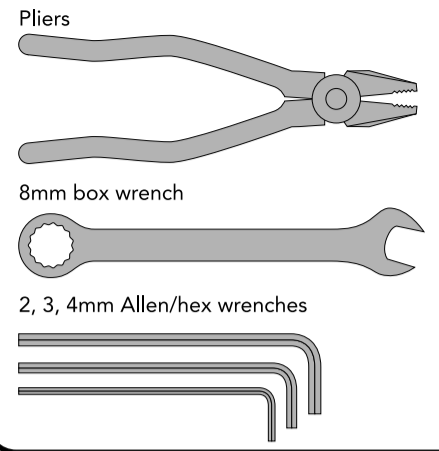
For more info and an installation video, check out: ridepdw.com/product-help

Parts

- A) 45mm Bolt
- B) 25mm Bolt
- C) Nyloc Nut (x2)
- D) 10mm Bolt (x4)
- E) Lock Washer (x4)
- F) Large Washer (x4)
- G) Rear Bracket
- H) Zip Tie (x4)

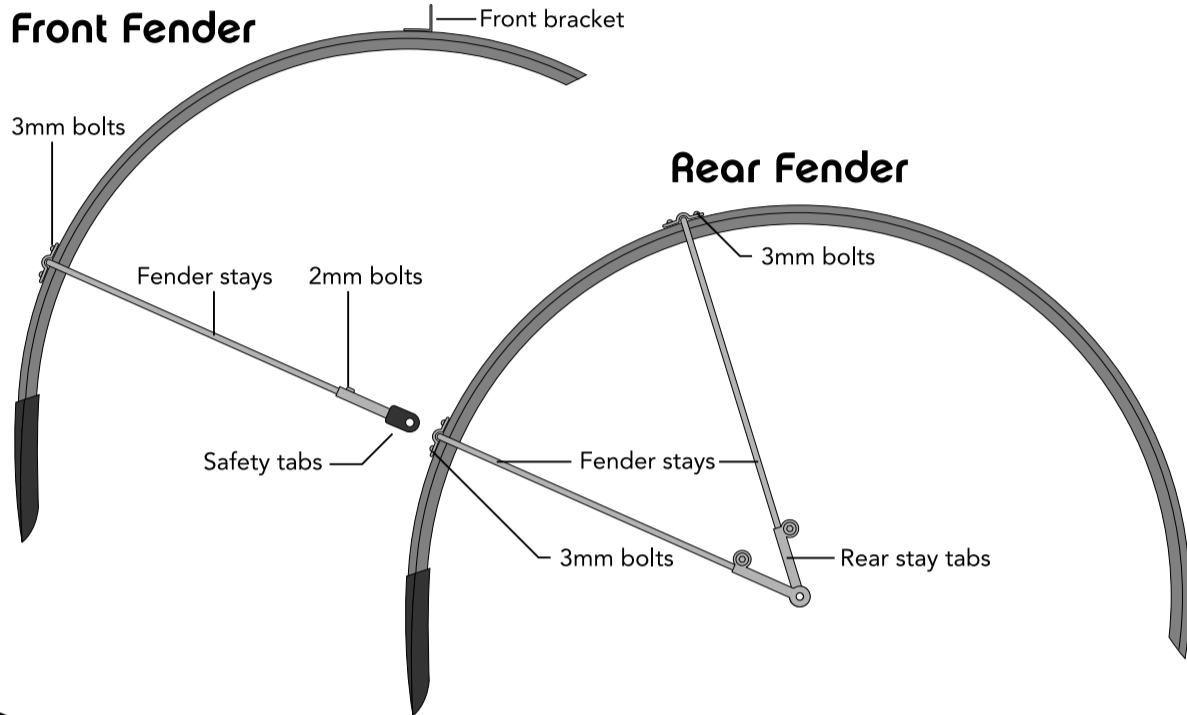


Tools Needed (not included)



If your bike needs special spacers to fit around disc brakes, extra long stays, etc, we have those parts and more available at ridepdw.com/goods/spare-parts

Front Fender



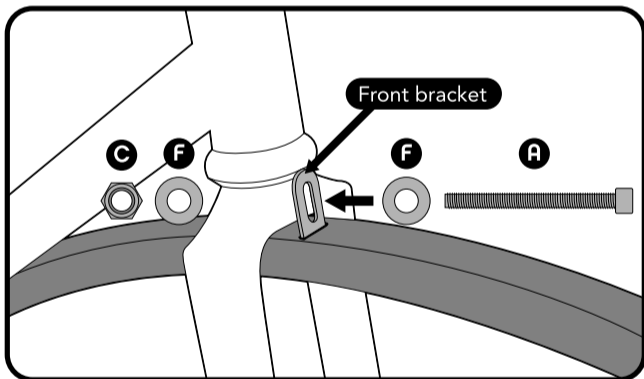
Warnings

- Failure to follow installation instructions or improper use of these fenders can result in loss of control, personal injury or death.
- Check to make sure your toes do not hit the front fender when turning the wheel from side to side. If your toe hits the fender, we do not recommend using these fenders.
- There must be clearance of at least 10mm between tire and fender. If clearance is less than 10mm we do not recommend using these fenders. A smaller diameter tire may need to be installed to achieve the recommended 10mm clearance.
- Check hardware before each ride to make sure it is all properly installed, secure and in good working condition.
- These fenders are not intended for off road use or excessive speeds.

1

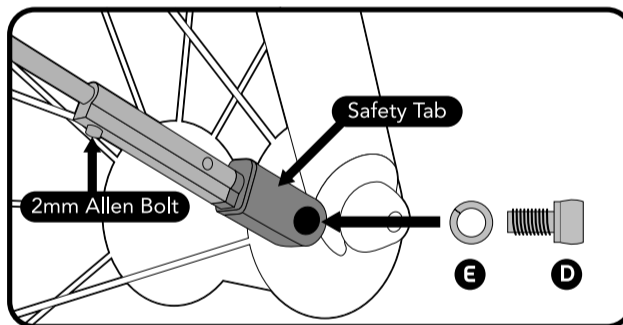
8-B031-E

Step 1: Front Fender



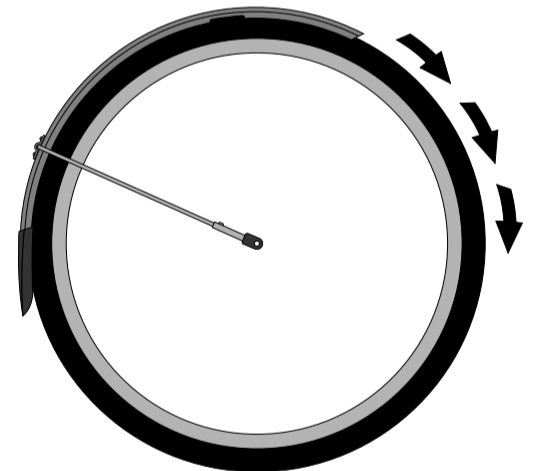
Use 45mm bolt (A), two large washers (F), and a Nyloc nut (C) to bolt front fender to the fork crown in the order illustrated above. If you don't have a hole in your fork crown, run two zip ties (H) through the front bracket and over each side of the fork crown.

Step 2: Front Fender



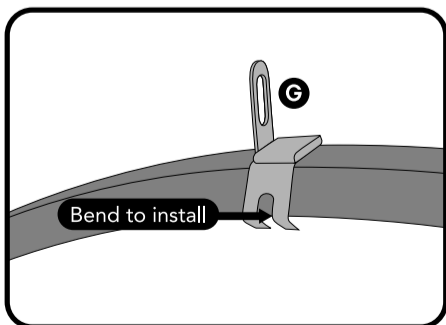
With a 4mm Allen wrench, attach the safety tabs to the eyelets on both sides of the fork with 10mm bolts (D) and lock washers (E). Hold the safety tabs as you tighten the bolts to prevent rotation. Tighten until snug. Do not overtighten. With a 2mm Allen wrench, loosen the 2mm bolts on the safety tabs and position the fender a safe distance from the tire (at least 10mm). Tighten the 2mm bolts on the safety tabs **and the two 3mm bolts that connect the stays to the fender.**

Step 3: Front Fender



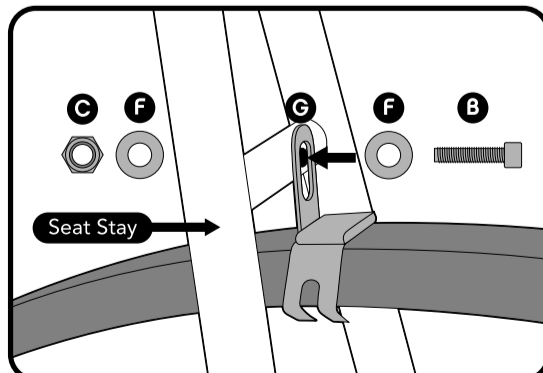
Spin the wheel and check for rubbing and adjust as needed. Double check that all hardware is tight.

Step 1: Rear Fender



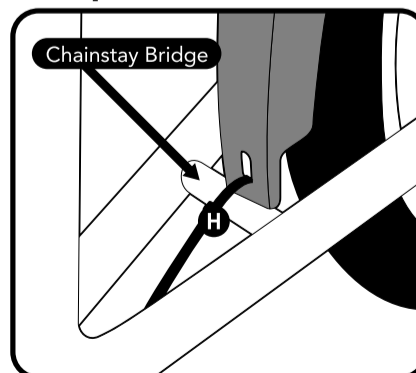
Slide the rear bracket (G) onto the rear fender. Using a pliers, crimp the four tabs on the bottom of the rear bracket (G) to the underside of the rear fender. Crimp tabs until rear bracket is snug, but still able to be moved fore and aft on the rear fender for positioning.

Step 2: Rear Fender

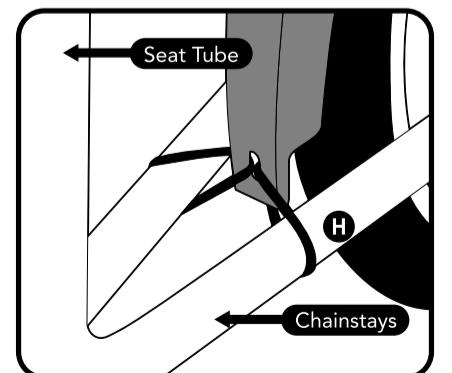


Use the 25mm bolt (B), two large washers (F) and a Nyloc nut to bolt the rear bracket (G) to the seatstay bridge in the order illustrated above.

Step 3: Rear Fender



If your bike has a chainstay bridge, use one zip tie (H) to affix rear fender to the chainstay bridge. If you are really lucky your chainstay bridge may have a hole to bolt the fender directly to.

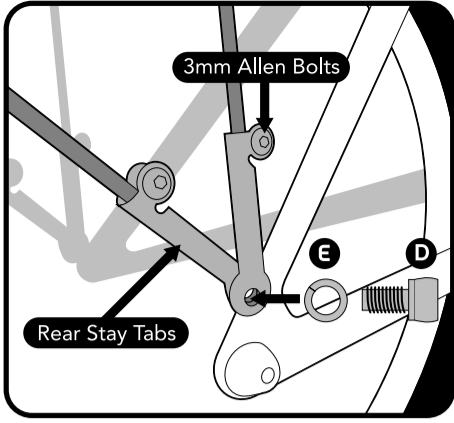


If your bike has no chainstay bridge, use two zip ties (H) to either affix the fender to the chain stays or to the seat tube.

2

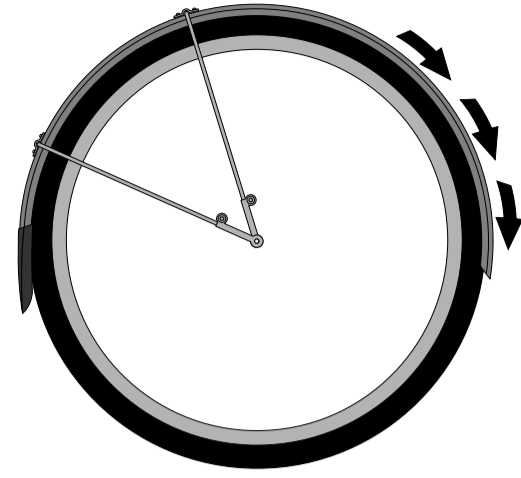
8-B031-E

Step 4: Rear Fender



With a 4mm Allen wrench, attach the rear stay tabs to the eyelets on both sides of the dropouts with 10mm bolts (D) and lock washers (E). With a 3mm Allen wrench, loosen the 3mm bolts on the safety tabs and position the fender a safe distance from the tire (at least 10mm). Tighten the 3mm bolts on the safety tabs **and the four 3mm bolts that connect the stays to the fender.**

Step 5: Rear Fender



Spin the wheel and check for rubbing and adjust as needed. Double check that all hardware is tight.



Beautiful, simple gear for everyday cycling