

Lars Rover™

www.ridepdw.com / 503-234-7257

Battery Care

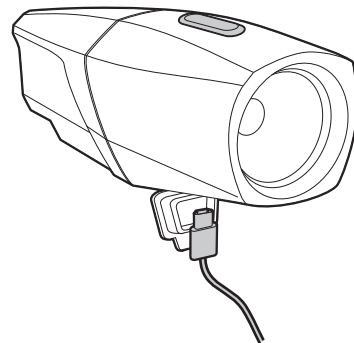
- Fully charge your Lars Rover™ before first use.
- Charge your Lars Rover™ after each use. Never store a fully depleted light.
- Lithium-ion batteries naturally lose charge over time so top off your Lars Rover™ if you haven't used it in over 4 days.
- If storing for an extended period of time, fully charge your Lars Rover™ at least once every 4 months.

Warranty

PDW provides warranty coverage against manufacturing defects for 2 years from date of purchase. Batteries are under warranty for 1 year from date of purchase, excluding misuse.

Please contact us for warranty questions at info@ridepdw.com.

Charging



Plug smaller end of USB cable into the Lars Rover™ and the other end into a USB port on a computer or wall socket adapter.

Flashing Blue = charging

Solid blue = fully charged

The Lars Rover™ will charge from depleted to full in 5 hours.

Operation

- To turn on and off, hold button for 1 second.
- With your light turned on, you can click through low, medium, high, flash and pulse modes.
- Your Lars Rover™ remembers the last mode you were in when you turned the light off and will turn on in the same mode the next time you use it.
- Button will turn red and light will switch to low mode when battery is almost depleted. Approximately 20 minutes of battery life remain once red light comes on.
- Button will flash red and light will automatically turn off to protect the battery when the battery is fully depleted. Your light must be charged before it will turn on again.

Handlebar Mount

