



**FULL METAL FENDERS™**

Thank you for buying our Full Metal Fenders™. We designed these beauties to be safe, functional, and darn good looking. It will take some time and patience to get them set up juuuust right. If time and patience are two things you are a bit short on, have your local bike shop do the installation. They've installed a lot of fenders and usually have a trick or two up their sleeves for making fenders work with uncooperative frame designs.

Are video instructions more your thing?

Check out **[ridepdw.com/help](https://ridepdw.com/help)**

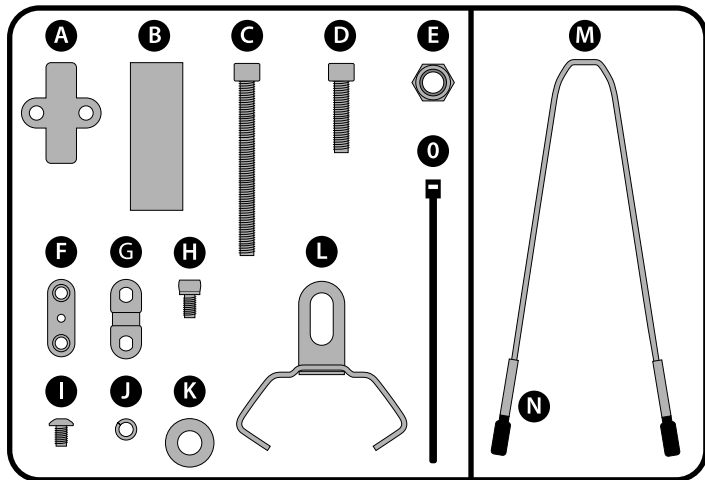
Have fun. Stay dry.

## Warnings

- *Before riding, check to make sure your toes do not hit the front fender when turning the wheel from side to side. If your toe hits the fender, we do not recommend using fenders.*
- *Check hardware before each ride to make sure everything is properly installed and secure.*
- *Portland Design Works is not liable for injury or damage resulting from improper use or improper installation.*
- *Not for off-road use.*



# Parts

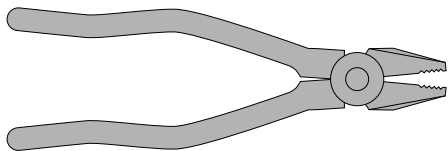


- A) Anti-rattle sticker (x2)
- B) Anti-rattle sticker (x1)
- C) 60mm bolt
- D) 25mm bolt
- E) Nyloc nut (x2)
- F) Bottom stay bracket (x2)
- G) Top stay bracket (x2)
- H) 4mm bolt (x4)
- I) 3mm bolt (x4)
- J) Washer (x4)
- K) Large washer (x4)
- L) Rear bracket
- M) Fender stays
- N) Safety tab (x4) (pre-installed)
- O) Zip Ties (x4)

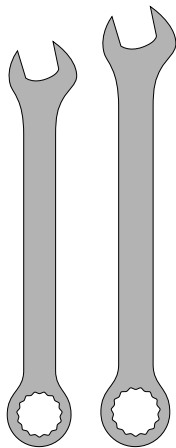
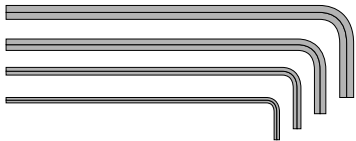
If your bike needs special stays that fit around disc brakes or an extra long front bracket, we have those parts and more available at [ridepdw.com/goods/spare-parts](https://ridepdw.com/goods/spare-parts)

## Tools (not included)

Pliers

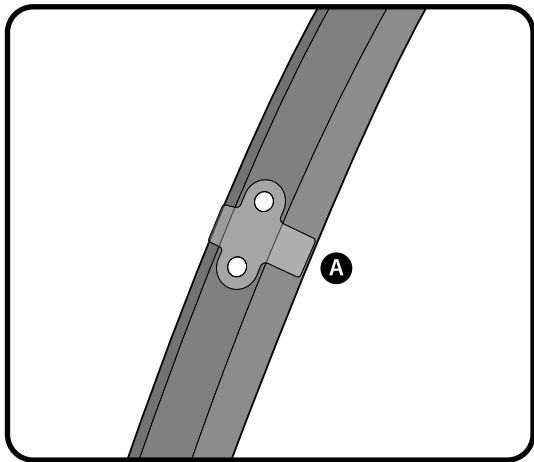


2, 2.5, 3, 4mm Allen/hex wrenches



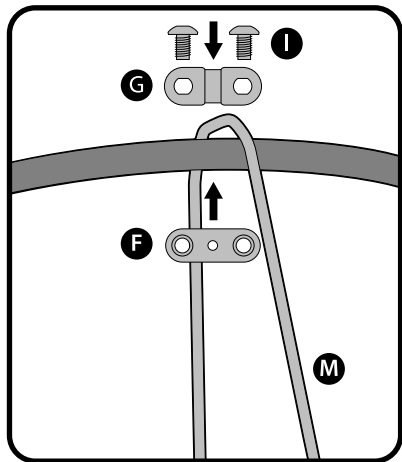
7, 8mm box wrenches

## Step 1



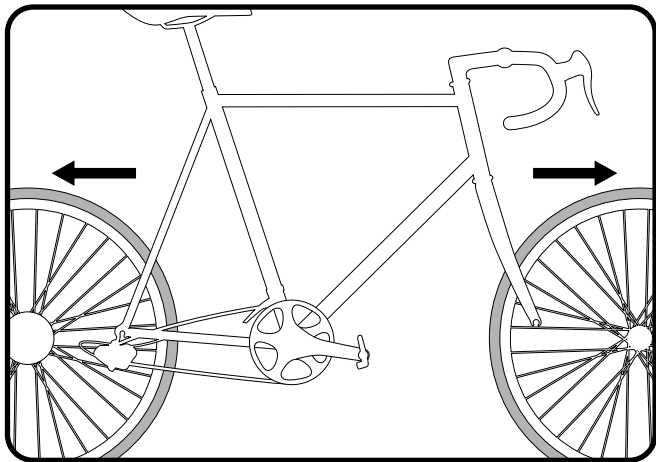
Apply anti-rattle stickers (A) to front and rear fenders. Make sure fender surface is clean before applying.

## Step 2



Attach fender stays (M) to front and rear fenders using 3mm bolts (I) and stay brackets (F, G). Make sure the flat side of the bottom stay brackets (F) are flat against the underside of the fenders. With stays perpendicular to the fenders, tighten bolts with a 3mm Allen/hex wrench.

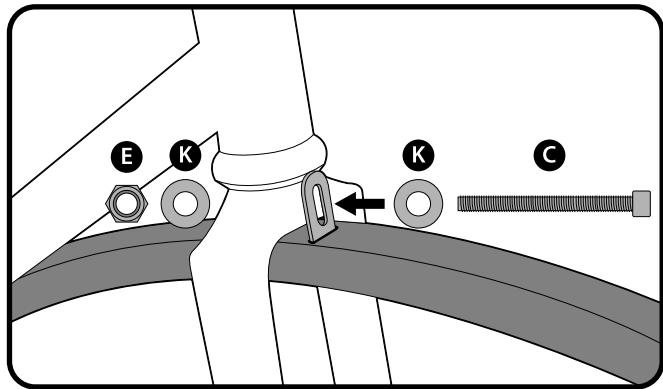
## Step 3



Remove wheels from bike.



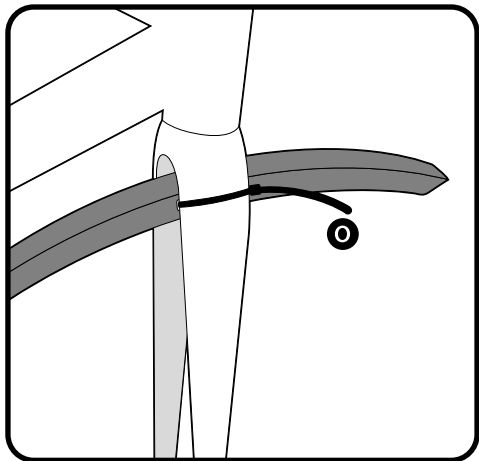
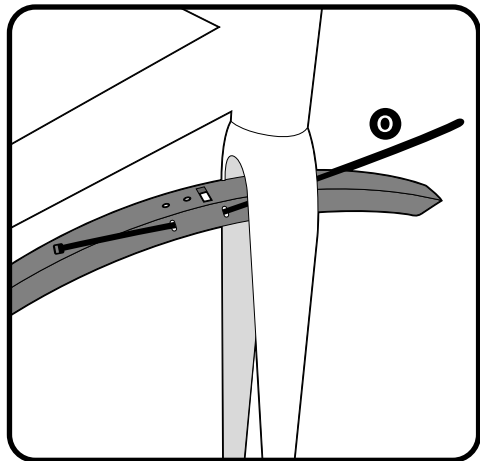
## Step 4



Use the 60mm bolt (C), two large washers (K), and a nyloc nut (E) to bolt front fender to the fork crown. You'll need a 4mm Allen/hex wrench and 8mm box wrench.

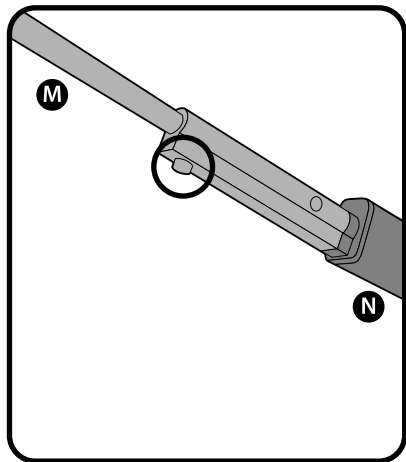
If you do not have a hole in your fork crown, proceed to **Step 5**, otherwise you get to skip right to **Step 6!**

## Step 5



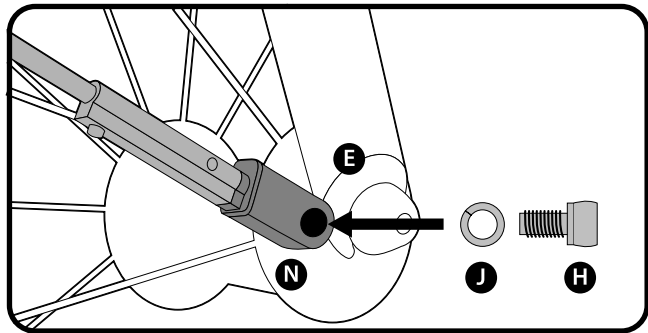
For fork crowns without a hole, thread two zip ties (O) through the slits on the front fender and over both sides of the fork crown. Tighten the zip ties (O) and cut off the excess tie.

## Step 6



With a 2mm Allen/hex wrench, loosen the 2mm bolts on the safety tabs (N) so they can slide up and down the stays (M)

## Step 7



With a 4mm Allen/hex wrench, attach the safety tabs (N) to the eyelets on the fork with 4mm bolts (H) and washers (J). Hold the safety tabs (N) as you tighten the bolts (H) to prevent them from rotating. Make sure the bolts are secure but do not crank them down with all of your might or you could break the hardware.

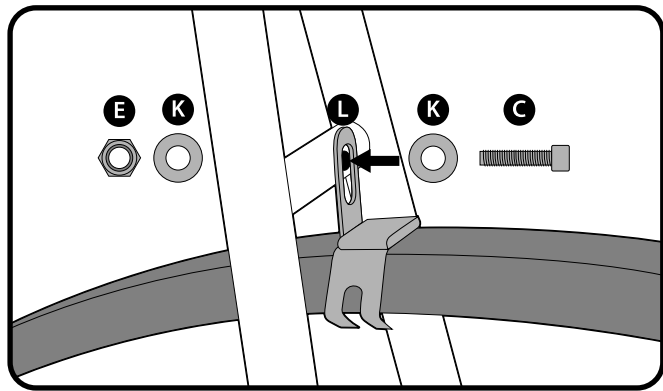
## Step 8

Position the fender so it is positioned a safe distance away from the tire (at least 5mm). Tighten the 2mm bolts on the safety tabs (N).

## Step 9

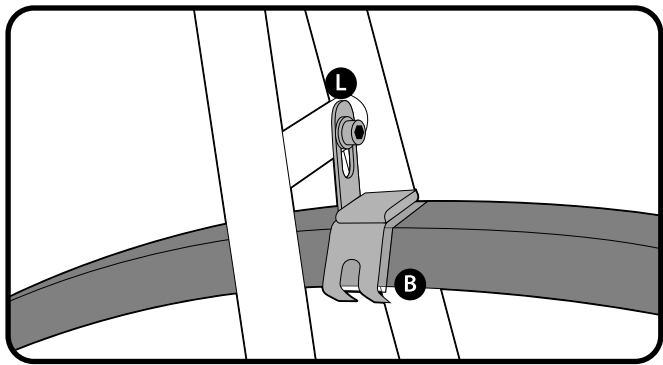
Spin wheel the check for rubbing and adjust as necessary. Double check that all the hardware is tight. Congratulate yourself. Take a breather and continue to step 10.

## Step 10



Use the 25mm bolt (D), two large washers (K), and a nyloc nut (E) to bolt the rear bracket (L) to the seatstay bridge. You'll need a 4mm Allen/hex wrench and 8mm box wrench. Do not tighten completely as you will want to adjust the rear bracket (L) up or down once you have the rear wheel installed again.

## Step 11

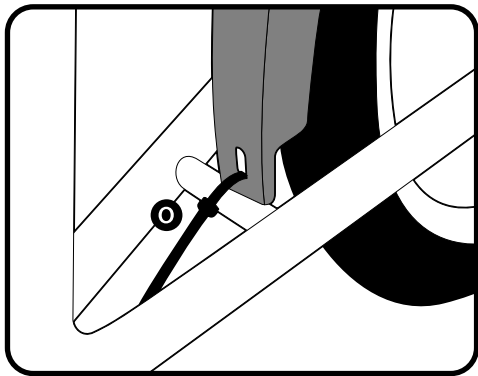


Slide rear fender through the rear bracket (L) until the hole on the front end of the fender lines up with the chainstay bridge or chainstays.

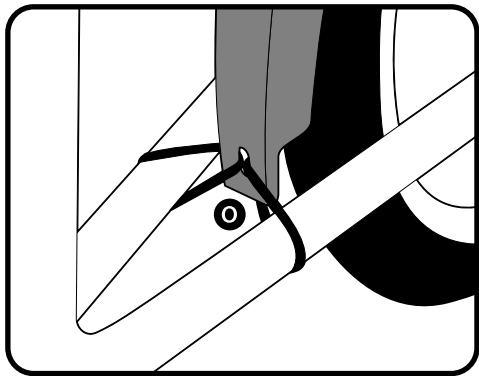
With a pencil, mark where the rear bracket (L) hits the fender. Slide the rear fender back and attach anti rattle sticker (B) to this area that will be under the rear bracket (L).



## Step 12

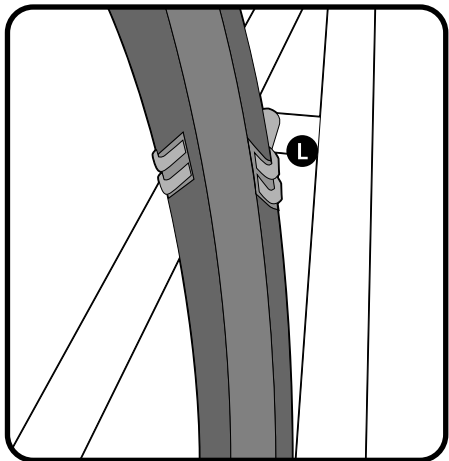


If your bike has a chainstay bridge, use one zip tie (O) to affix the rear fender to the chainstay bridge.



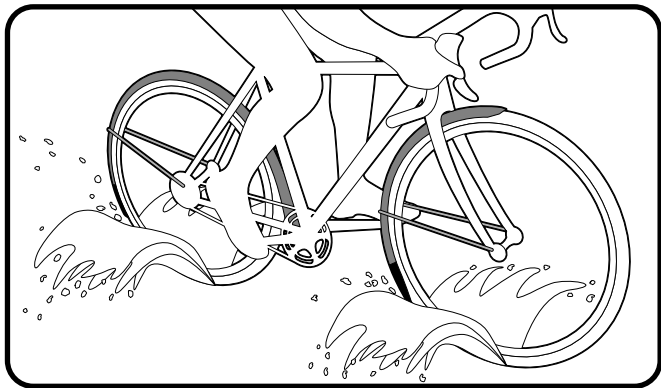
If your bike has no chainstay bridge, use two zip ties (O) to affix the fender to the chainstays.

## Step 13



Crimp rear bracket (L) tabs under the rear fender with pliers. Make sure all four tabs are crimped flat against the underside of the fender.

## Step 14



Repeat steps six to nine above, except in step 9 replace "Take a breather and continue to step 10," with "Ride your bike through the nearest puddle."

Portland Design Works | 15 NE Hancock St. Portland, OR 97212 | [www.ridepdw.com](http://www.ridepdw.com)