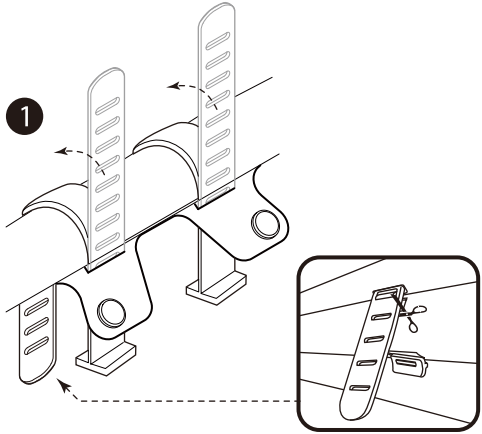
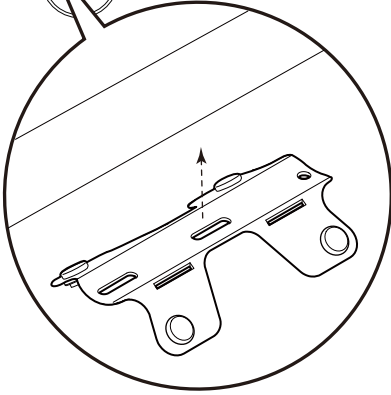


Dave's Mud Shovel™ | Front



For small frames, cut fender along line to shorten

