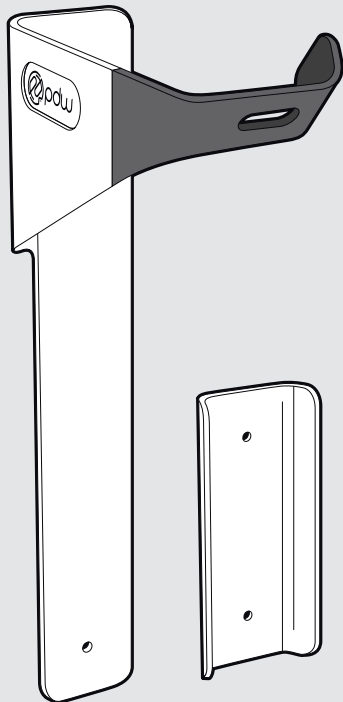


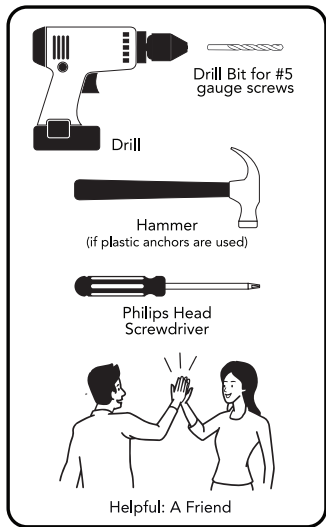


Hootie Hook™

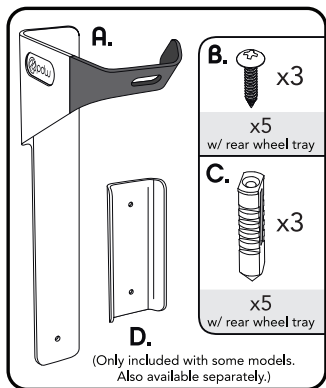


ridepdw.com | 503-234-7257
3625 SE 21st Ave Portland, OR 97202

Tools (not included)

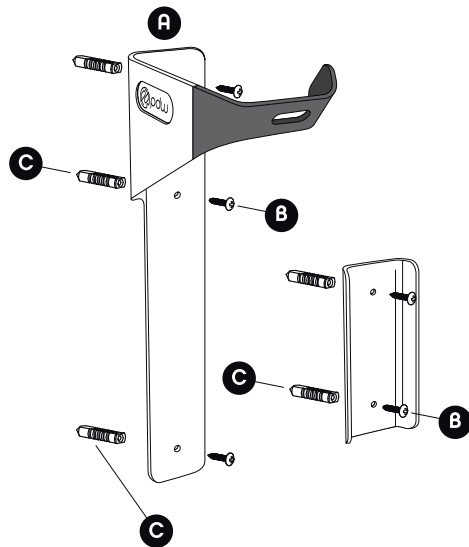


Parts

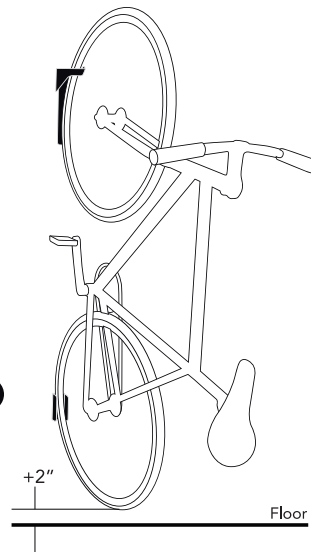


Installation

Determine the correct height to hang the hook by having a friend hold the hook against the wall while you hold up your bike, making sure the rear wheel is at least 2" off the floor. Mark the 3 drilling holes with a pencil and check to see they are in a straight, vertical line. Drill pilot holes (for concrete walls, use a hammer to pound plastic anchors into the holes). Screw the hook to the wall. Hang your bike by placing the front wheel in the hook. If you have the optional rear wheel tray, determine where the rear wheel contacts the wall, mark the drilling holes and install the tray. Step back and admire your handiwork.



For Masonry | Concrete Walls
• Drill holes (7mm diameter)



- 15kg weight limit
- Do not mount on drywall unless drilling into wood stud
- Be aware of any electrical, plumbing or water fittings behind wall