



Quick Setup Guide

Wiring

There are three high-power channels on the FH v3 (see image below). The following LED connections are recommended for the respective LED setups:

- RGB LED:

- Channel 1: Red (negative)
- Channel 2: Green (negative)
- Channel 3: Blue (negative)

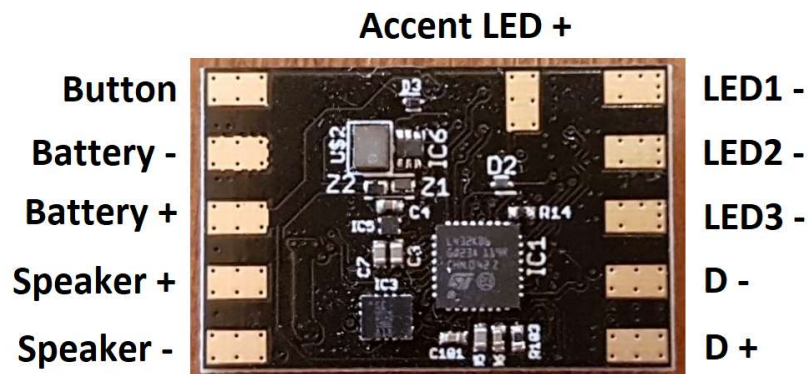
- Dedicated blade color with separate Flash on Clash color:

- Channel 1: Blade LEDs (negative)
- Channel 2: Blade LEDs (negative)
- Channel 3: Flash on Clash LED (negative)

- Dedicated blade color without separate Flash on Clash color:

- Channel 1: Blade LEDs (negative)*
- Channel 2: Blade LEDs (negative)*
- Channel 3: Blade LEDs (negative)*

* Alternatively, you can also use only channel 1 or only channel 1 and channel 2 to power the main LED. Using all channels increases brightness slightly.



The table below lists the functions of each pad on the top side of the board.

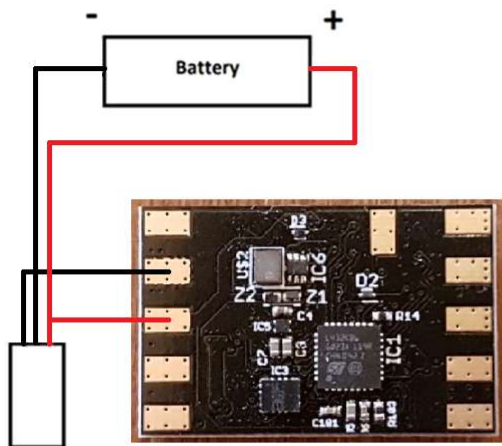
Pad	Function	Remark
Button	Connect to your momentary button	Second pin of the momentary button needs to be connected to Battery -
Battery -	Connect to negative of battery	

Battery +	Connect to positive of battery	
Speaker +	Connect to negative of speaker	
Speaker -	Connect to positive of speaker	
LED1 -	High-power LED output (4,2 V and 9 A)	
LED2 -	High-power LED output (4,2 V and 9 A)	
LED3 -	High-power LED output (4,2 V and 9 A)	
Accent LED +	Accent LED output (3,3V and 20 mA)	
D +	Connect to D + of the USB module	
D -	Connect to D - of the USB module	

In the following, the wiring of a recharge port and of our Seedling USB module are shown. Both wiring diagrams depict the respective connections independent from the actual LED setup you are using. Please also have a look at the wiring diagrams for the LED setups.

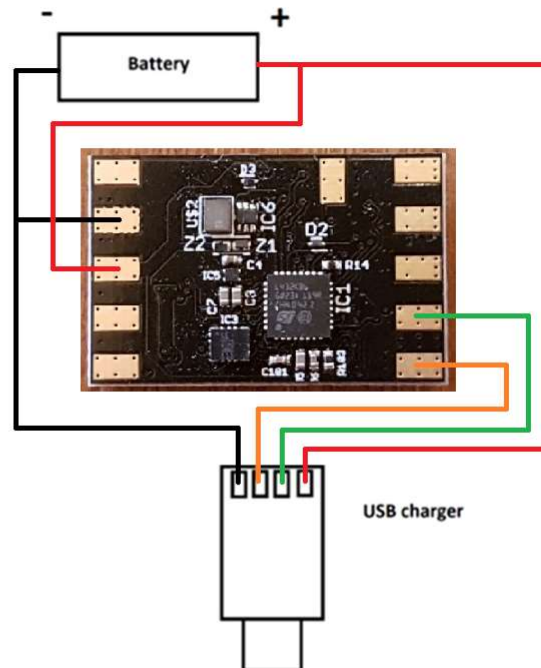
Recharge Port (in addition to LED wiring)

The wiring of a recharge port is shown below. It is the same for any LED setup. **The recharge port has to be connected such that it connects „Batt. -“ and the negative of the battery if the kill key is pulled out.**



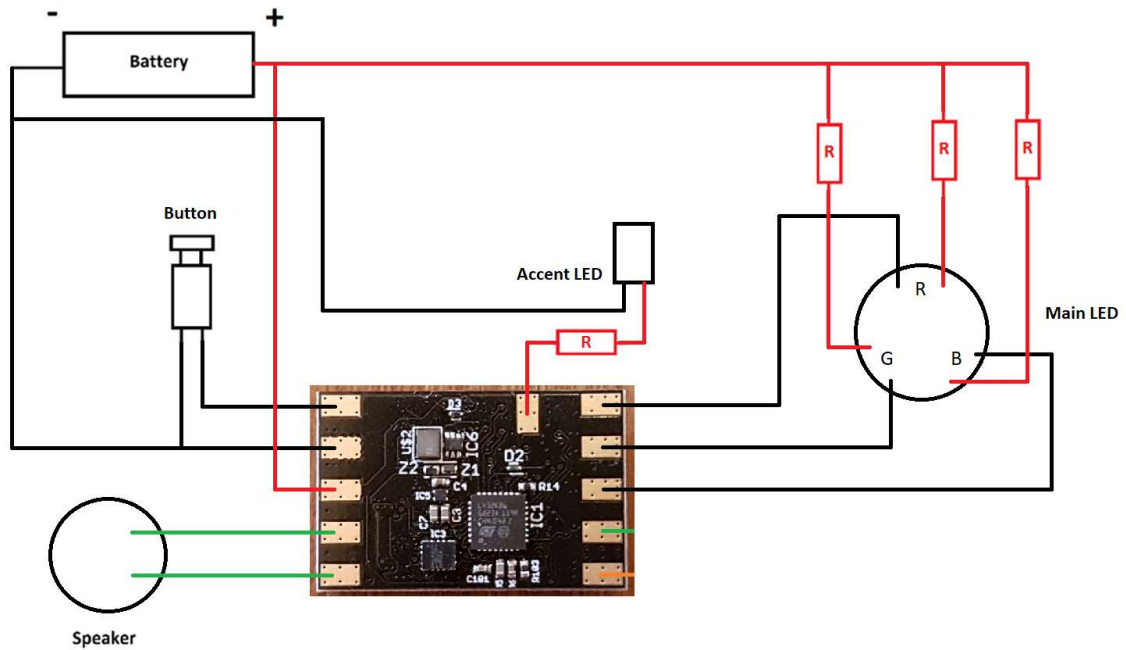
Seedling module (in addition to LED wiring)

The wiring of the Seedling module is shown below. It is the same for any LED setup. Please make sure that the orange and green wires are of same length.



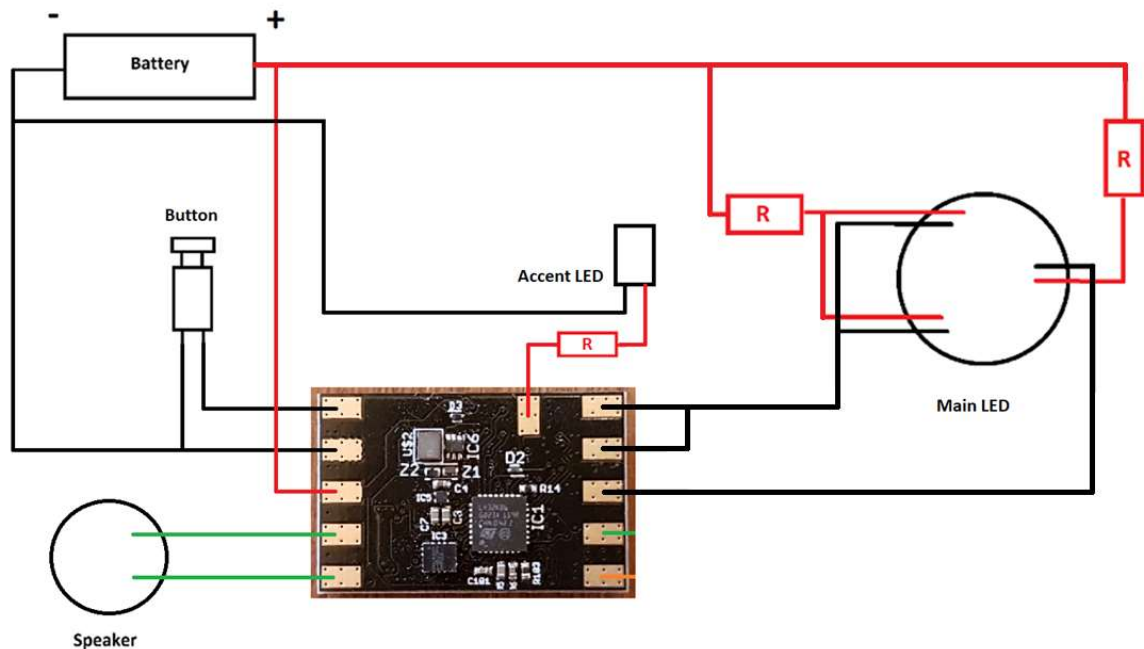
RGB

The wiring of an RGB LED is shown below.



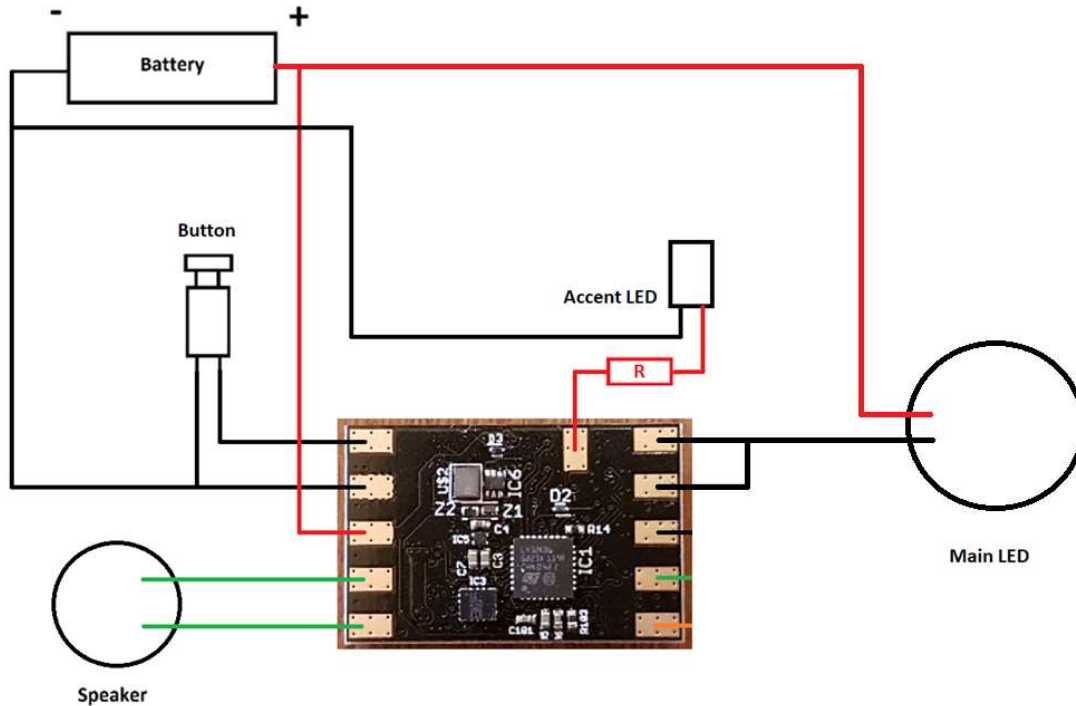
Dedicated blade color with separate Flash on Clash color

The wiring of an LED with dedicated blade color and with separate Flash on Clash color is shown below.



Dedicated blade color without separate Flash on Clash color

The wiring of an LED with dedicated blade color and without separate Flash on Clash color is shown below.



Resistors of the main LED are not depicted. They should be used to limit the LED current.

Choosing Your LED Setup

The FH v3 supports the following LED types:

- RGB
- Dedicated blade color with separate Flash on Clash color
- Dedicated blade color without separate Flash on Clash color

By default, the board is setup for dedicated blade color without separate Flash on Clash color. To change the LED type, just hold the button for 10 s to reset the board. After that, it will enter the LED Type Menu. You can change the led type by tapping the button. To confirm your selection, hold the button.

FUNCTION	TRIGGERING WITH ONE MOMENTARY SWITCH
Power On	Tap the button
Enter Color Menu*	Hold the button, then tap it
└ Change Color	└ Tap the button
└ Save And Leave Color Menu	└ Hold the button until the confirmation sound is played
Enter Effect Menu	Hold the button, then hold it again

└ Change Effect	└ Tap the button
└ Save And Leave Effect Menu	└ Hold the button until the confirmation sound is played
Enter Lockup Mode	Hold the button, release it and then trigger a clash
└ Leave Lockup Mode	└ Tap the button
Blaster Block	Tap the button
Force Push	Hold the button while twisting the saber
Power Off	Hold the button until the saber shuts down
Change Sound Font	Hold the button before the saber is ignited, then release it
Enter Volume Control	Hold the button while performing a stab before the saber is ignited
└ Adjust Volume	└ Twist the saber
└ Save And Leave Volume Control	└ Tap the button
Wake Up From Deep Sleep	Tap the button
Reset And Enter LED Type Menu	Hold the button for 10 s
└ Change LED Type	└ Tap the button
└ Save And Leave LED Type Menu	└ Hold the button

* Only available if your saber has an RGB LED.