

# Udon Upholstered Chair

by Staffan Holm

The newest addition to the Udon Family, Udon Upholstered Chair, comes with a generous foam, upholstered with the highest quality Scandinavian semi-aniline leather. Durable and soft, the leather seat elevates the organic shape of the chair, adding even more comfort and elegance to its design.

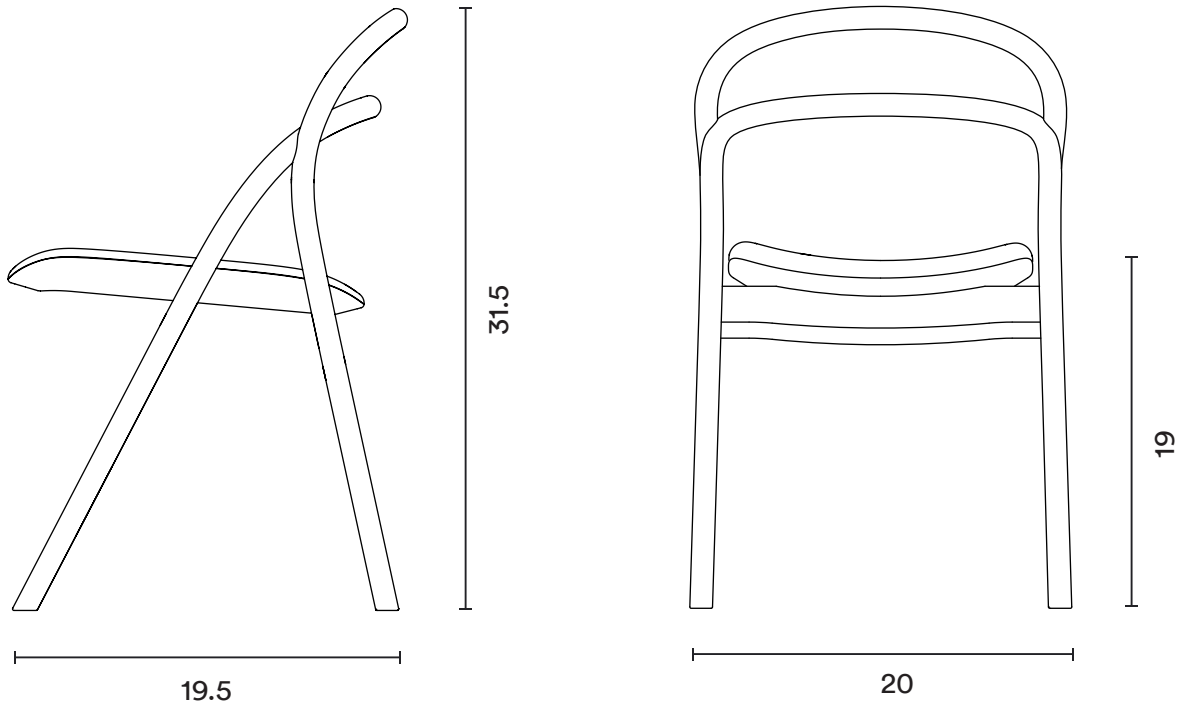
Suitable for contract use, Udon Upholstered is available in two monochrome color variants, Black and Natural, making it a sophisticated fit for any working or dining environment.



**hem**

## Technical Specifications

L: 19.5 x W: 20 x H: 31.5 in;  
H (Seating): 19 in



## Materials and Colors

Material: Pressed Beech



Black



Natural

Material: Soft Leather by Elmo



Black Leather



Cognac Leather

## Care Instructions

Leather is a fantastic, durable material, which has a unique quality of getting even more beautiful with age. High quality leather is strong, very comfortable, and extremely durable. In order for leather to serve for many years to come, it is important to treat it well and maintain it with care. The leather leaving Elmo already has a special protective surface applied; however, bodily oils, especially from the hands or back of the neck, dissolve this protective surface and create grease patches over time. It is, therefore, essential to regularly preserve and clean leather before these stains become too hard to remove.

### Cleaning

Vacuum clean frequently with a soft brush, and clean surfaces subjected to heavy wear, such as arm and neck rests, as required. Water-soluble stains are easily removed by soaking and blotting with kitchen paper.

Never attempt to remove problem stains with strong solvents or chemical products. Let the leather air dry; never use a hair dryer or other heat source to dry leather.

### Everyday Care

Never place leather furniture closer than 20-30 cm from a radiator, or in the direct sunlight.

Regularly use dedicated cleaning and preservation products for leather care.

### Butter, Oil, or Grease

Wipe the leather with a clean, dry cloth and let the remainder of the oil dissipate into the leather.

Do not apply water or try to wash a grease spot. Do not use saddle soap, cleaning solvents, oils, furniture polishes, varnishes, abrasive cleaners, detergents, or ammonia on leather; they will ruin the finish, causing it to become sticky and cracked. If the stain remains, contact a professional cleaner.