

# MJ WAREHOUSE PTY LTD

## 20031 WOODEN RAISED CUBBY HOUSE WITH SLIDE

### Instruction Manual



**Approximate Assembly Time: 2.5 hour – 2 Adults Required for Assembly**

**IMPORTANT:** This owner's manual contains safety, assembly, use and maintenance instructions. This item **MUST** be assembled by an adult who has read and understood these instructions. Keep the packaging away from children and dispose of all packaging before use. Please keep instructions for future reference.

WARNING! Not suitable for children under 3 years. Contains Small Parts and sharp points.  
This product must be assembled by an adult. It should only be used under adult supervision.



Imported by MJ WAREHOUSE PTY LTD--78 RESERVE DRIVE MANDURAH WA 6210 AUSTRALIA

## **WARNING**

- You must thoroughly read and understand instructions in this manual before assembling and using this cubby house.
- Save this manual for future reference.
- Do not allow young children to use unless supervised by an adult.
- Do not use this item on hard packed soil, concrete or any other kind of hard surface.
- Read all cautionary statements on the following pages before using this equipment.
- Please note this is a natural product and as such should be checked for any rough surfaces before use. If required these should be lightly sanded in order to prevent injury.
- The Maximum user weight of this product is 120KG.maximum fall height for the product: 1493mm
- Suitable for Children aged 3-8 years.
- The 3-4 of children that may safely use the equipment simultaneously .
- Not suitable for children under the age of 36 months because of small part(s) which are choking hazards.
- For Outdoor Domestic Use only.
- Do not orientate Slide towards the Sun.
  - Equipment may be slippery when wet. Do not allow children to use the equipment when wet.
  - Check all nuts, bolts and fittings for tightness and tighten if required.
  - Check all coverings for bolts and sharp edges and replace when required.
  - Check all components regularly for evidence of deterioration. Replace when required and in accordance with the manufacturer's instructions.
  - Please take note: As an extra precaution, check this product regularly for signs of wear and damage.
  - Place the product on a soft level surface at least 2 metres from any structures or obstructions such as fences, a garage, house, overhanging branches, washing lines or electrical wires.
  - Leave all fittings finger tight until assembly is complete, for ease of construction. Then tighten firmly.
  - For SAFETY REASONS the product MUST be located on level ground.
  - The cubby house should be installed over impact absorbing surfaces such as sand,wood-bark chips,rubber and foam
  - DO NOT let children use this equipment until it has been properly assembled and anchored.
  - DO NOT install the product on concrete, asphalt or hard surfaces.
  - DO NOT allow loose, hooded or baggy clothes to be worn since children can get trapped and may be unable to free themselves. This could lead to serious injury.
  - DO NOT allow children to wander into the play area when the equipment is in use.
  - Failure to assemble, maintain and supervise this item during use as per these instructions may result in serious injury including DEATH to the user.
  - Packaging materials are not toys. Please remove all packaging and packing tags/wires before letting your child use this item.
  - ADULT ASSEMBLY IS REQUIRED.
  - FOR USE ONLY UNDER ADULT SUPERVISION
  - Maintenance is to be carried out under the direct supervision of a responsible adult. Please refer to the maintenance schedule for proper upkeep of this item.
  - Once assembly is complete, carefully check the item before use. If you find any problems, do not allow children to

use the equipment until it is fit for use.

- Remove all tools used for assembly prior to use.
- Do not attach items to the equipment that are not specifically designed for use with this product - such as, but not limited to cables, skipping ropes, chains and anything that may cause a strangulation hazard.
- Not suitable for hiring or commercial use.
- Never use the equipment in any manner other than intended.
- Never attempt to relocate this item without fully disassembling. Shifting of the item in assembled form will lead to undue stress and potential breaking of the frame and components of the product.
- Shredded bark, mulch, wood chips or fine sand are considered to be acceptable shock absorbing surfaces when installed and maintained at a sufficient depth under and around the playground equipment. Depth should be checked and maintained regularly otherwise serious injuries can occur from falls.

### Consumer information sheet for playground surfacing materials

The US Consumer Product Safety Commission (CPSC) estimates that about 100 000 playground equipment-related injuries resulting from falls to the ground surface are treated annually in US hospital emergency rooms. Injuries involving this hazard pattern tend to be among the most serious of all playground injuries, and have the potential to be fatal, particularly when the injury is to the head. The surface under and around playground equipment can be a major factor in determining the injury-causing potential of a fall. It is self-evident that a fall on to a shock-absorbing surface is less likely to cause a serious injury than a fall onto a hard surface. Playground equipment should never be placed on hard surfaces, such as concrete or asphalt, and while grass may appear to be acceptable, it may quickly turn to hard-packed earth in areas of high traffic. Shredded bark mulch, wood chips, fine sand or fine gravel are considered to be acceptable shock absorbing surfaces when installed and maintained at a sufficient depth under and around playground equipment.

Table B.1 lists the maximum height from which a child would not be expected to sustain a life-threatening head injury in a fall on to four different loose-fill surfacing materials if they are installed and maintained at depths of 150 mm, 225 mm and 300 mm.

Table B.1 — Fall height in millimetres from which a life-threatening head injury would not be expected

Type of material	Depth of surfacing material		
	150 mm	225 mm	300 mm
Double shredded bark mulch	1 800	3 000	3 300
Wood chips	1 800	2 100	3 600
Fine sand	1 500	1 500	2 700
Fine gravel	1 800	2 100	3 000

However, it should be recognised that all injuries due to falls cannot be prevented, no matter what surfacing material is used.

It is recommended that a shock absorbing material extend a minimum of 1 800 mm in all directions from the perimeter of stationary equipment such as climbing frames and slides. However, because children may deliberately jump from a moving swing, the shock absorbing material should extend in the front and rear of a swing a minimum distance of twice the height of the pivot point measured from a point directly beneath the pivot on the supporting structure.

This information is intended to assist in comparing the relative shock-absorbing properties of various materials. No particular material is recommended over another. However, each material is only effective when properly maintained. Materials should be checked periodically and replenished to maintain correct depth as determined necessary for the equipment in question. The choice of a material depends on the type and height of the playground equipment, the availability of the material in a particular area, and its cost.



## MAINTENANCE INSTRUCTIONS

### SCHEDULE

- Check all nuts and bolts twice monthly during the usage season and tighten as required (but not so tight that you crack the wood).
- Check all coverings for bolts and sharp edges twice monthly during the usage season to be certain they are in place. Replace when necessary. It is especially important to do this at the beginning of each new season
- All outdoor wooden products require routine inspection and regular maintenance. After installation, a follow up inspection should take place after one week and twice a month thereafter for the remaining life of your play product. Maintenance should be performed at it is deemed necessary. As a general rule, major maintenance (wood refinishing) should be performed at twelve month intervals from the date of installation. Inspect and perform maintenance based on the following checklist.
- Checks the cubby are not carried out, the toy could overturn or otherwise become a hazard.
- Sand rusted areas and tubular members and repaint using a non-lead based paint when required.

### MAJOR WOODEN PARTS

- Inspect for splintering and structure defects at regular intervals. For very minor splinters or chipping, lightly sand and refinish with an exterior water repellent stain which can assist.

### HARDWARE

Inspect for tightness. Be certain that hardware is firmly against, but not crushing the wood. Over-tightening hardware crushes wood fibres and splits wooden components and could result in the bolt threads extending beyond the wood and presenting a SEVERE SAFETY HAZARD. If splintering has occurred from over-tightening, large washers can be purchased from your local hardware store and installed under the bolt head. Be sure to replace or reuse your lock washers. If over-tightening has caused the bolt threads to protrude beyond the wood surface, replace the bolt with a shorter one that will not protrude. These bolts are standard items that can be purchased at your local hardware store.

### ONGOING WOOD TREATMENT

- The timber used in this product has not undergone any hazardous treatment and requires constant maintenance to ensure the longevity and optimal performance and appearance of the product. To maintain the product appearance and lifespan the following is suggested:
- 1) Depending on your location and climate, the wood can start to change in colour. Signs of fading or change in colour is a clear sign that a wood protectant application is required.
- 2) At regular intervals, the application of a penetrating oil based sealer stain to all wooden components is essential. Please consult your local hardware store for recommendation of an appropriate product. Ensure the product does not contain hazardous chemicals once dry that could pose a potential health risk to children.

PLEASE RETAIN THESE INSTRUCTIONS FOR FUTURE REFERENCE .

ADULT ASSEMBLY IS REQUIRED.

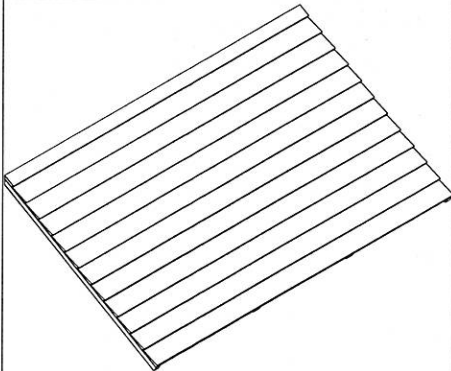
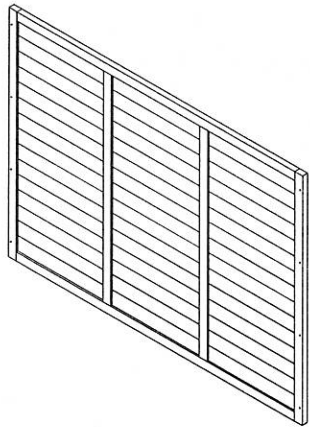
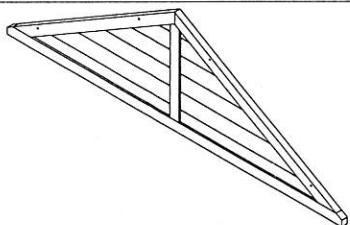
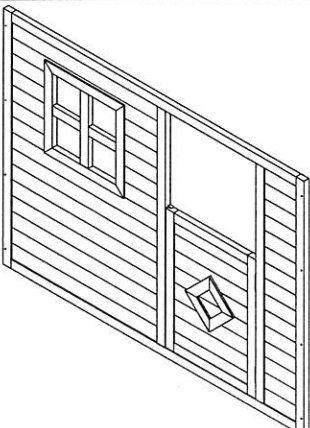
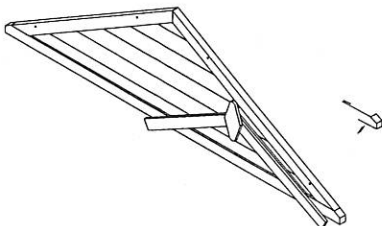


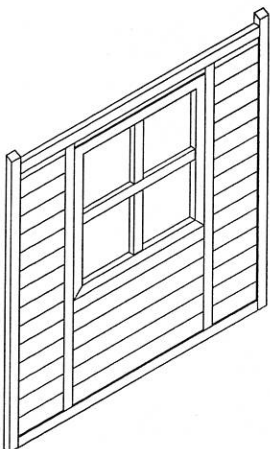
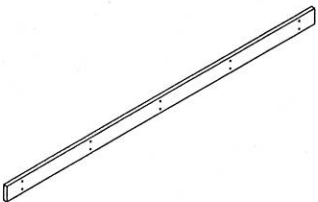
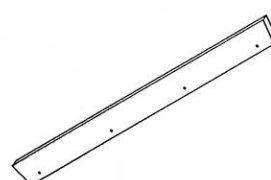
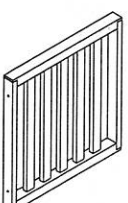

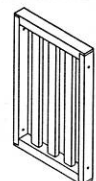
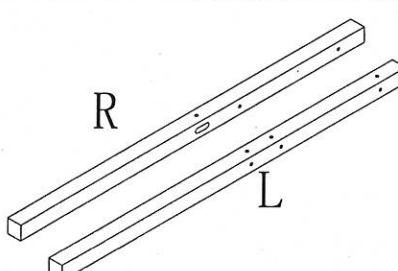
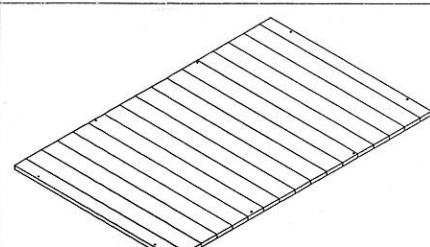
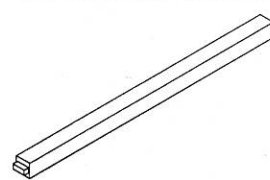
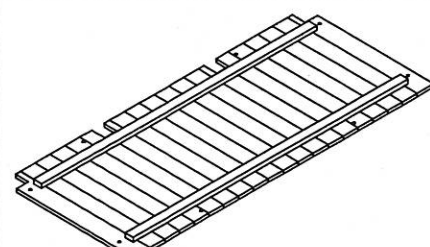
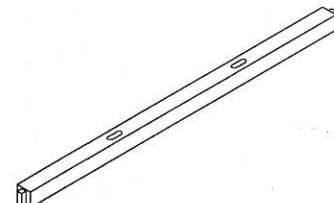
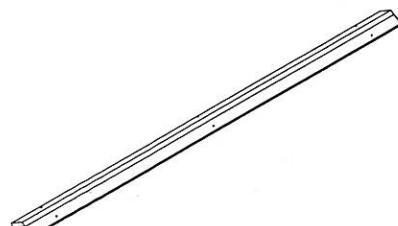
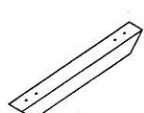
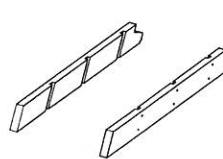
## BEFORE YOU BEGIN ASSEMBLY:

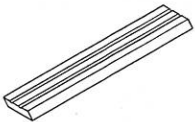

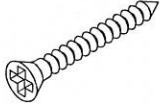
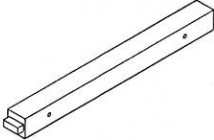
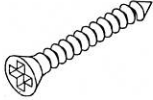

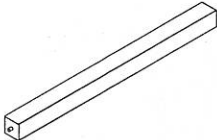

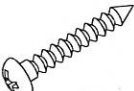
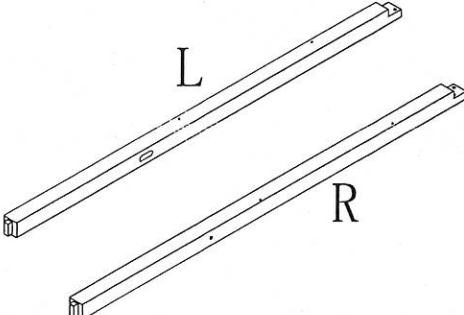

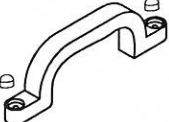
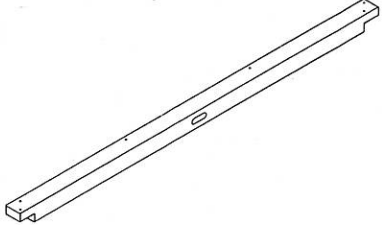
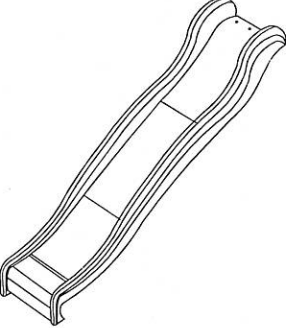
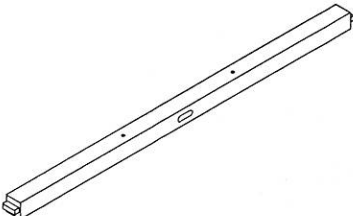

- Take a complete inventory of components using the parts list
- Sort and lay out the components. Label each component for easy reference. For easy identification during the assembly process, write the board's number on masking tape and adhere to each piece. Some wooden components may twist or warp in the carton after packaging. Usually, these parts straighten out when assembled. You may also see some cracking of the grain.
- Sort all hardware according to size. Do not worry if extra hardware is included. Find a safe play location.
- You MUST install the cubby house on level ground. Uneven ground must be leveled prior to installation. The manufacturer cannot assume responsibility for any failure from incorrect installation. Installing on sloping ground will put stress on all the joints, which will cause the cubby house to become loose and unstable.
- The safe play area must be free from all structures, landscaping, trees and branches, rocks, wires and other obstacles to safe play. Children can be seriously injured running or sliding into these objects.
- Remove any rocks or any jagged or sharp object that could endanger your children's safety.
- Country of Origin:China
- CTN:1 OF 3
- GROSS WEIGHT:28.5kg

# PART LIST

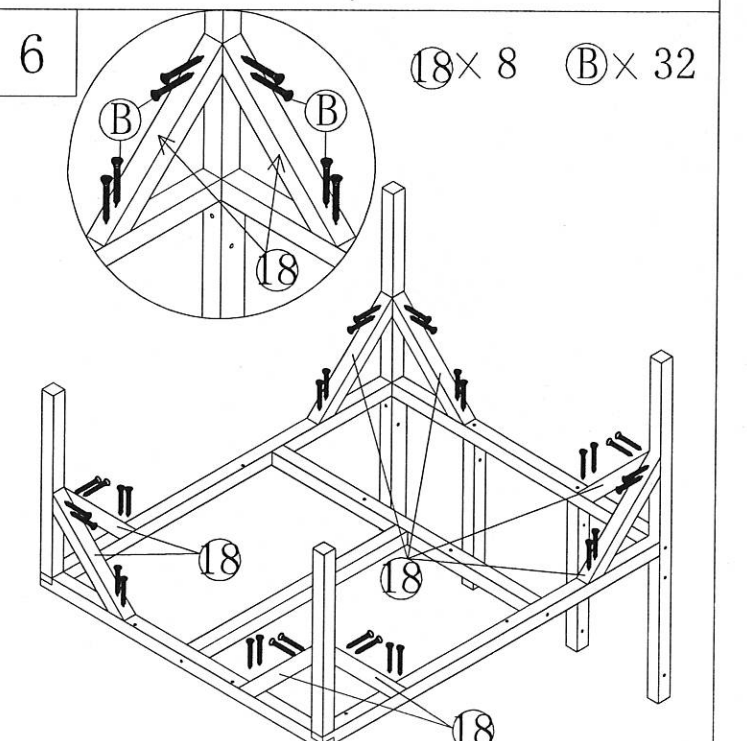
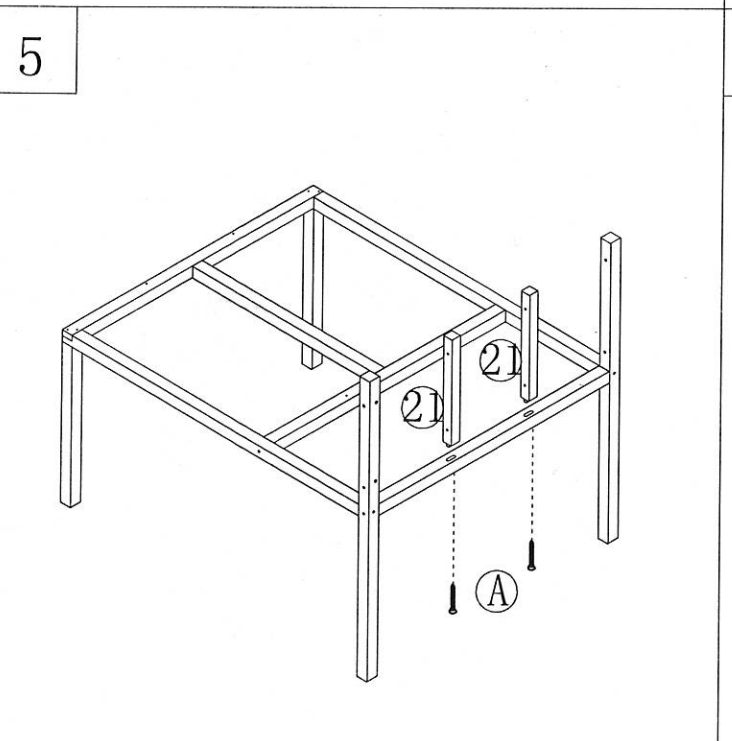
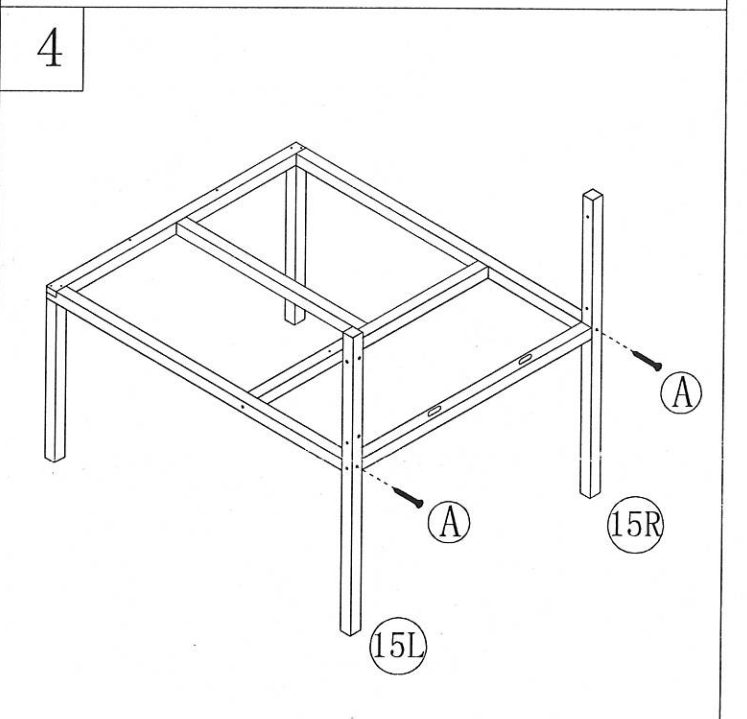
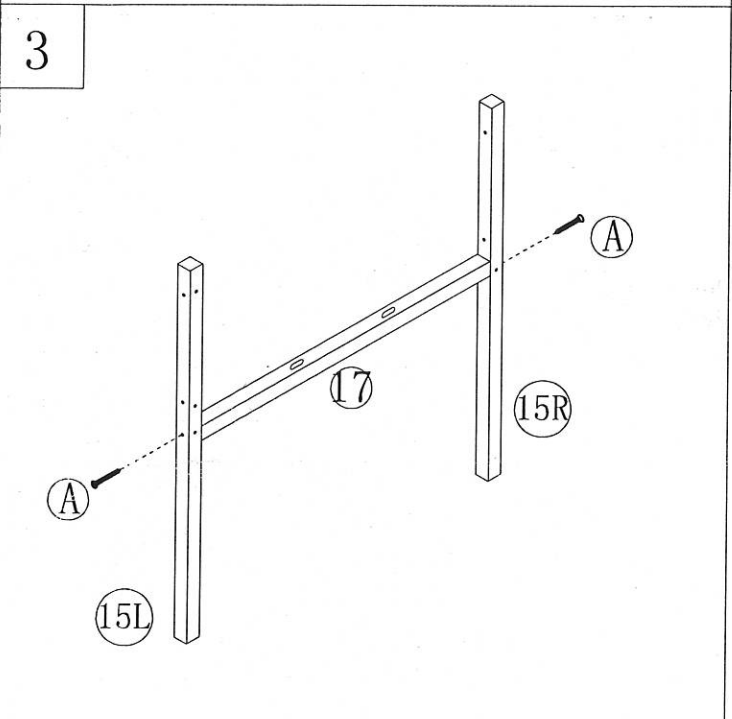
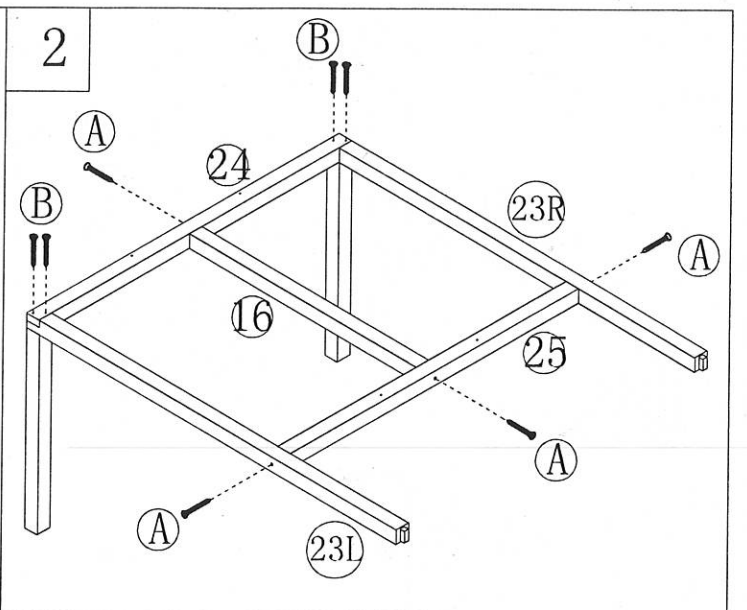
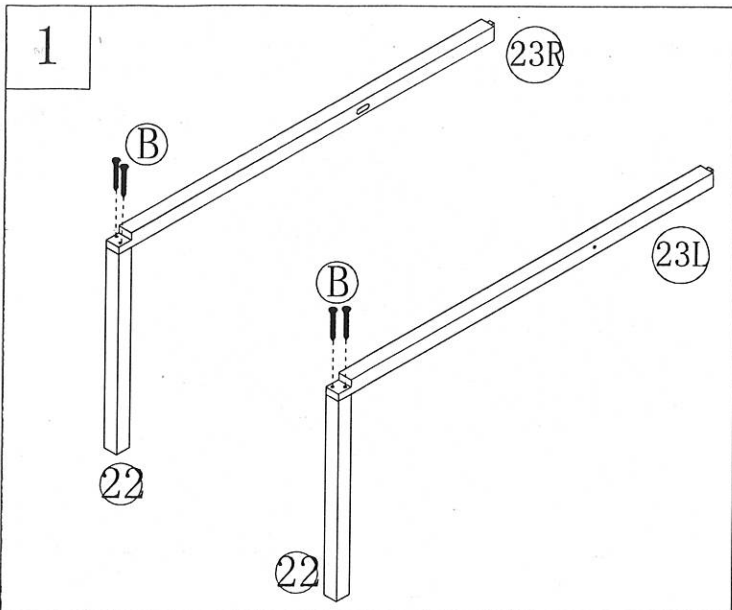


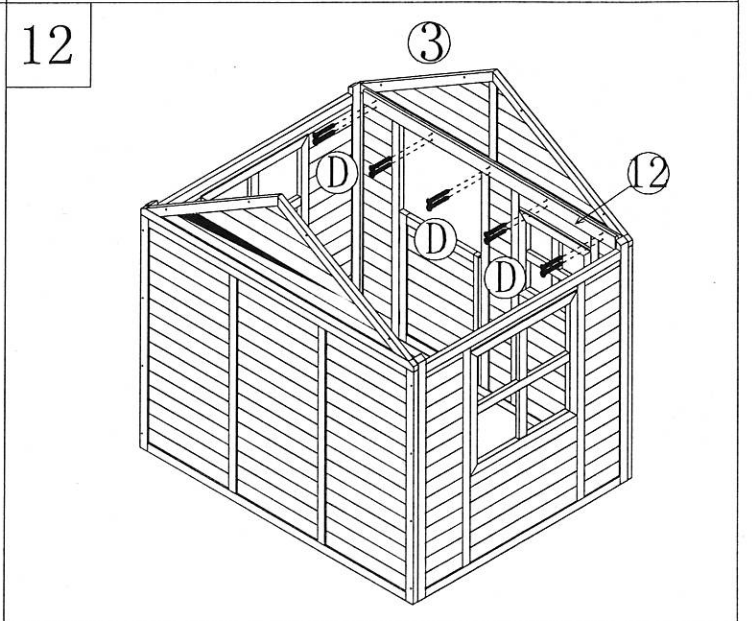
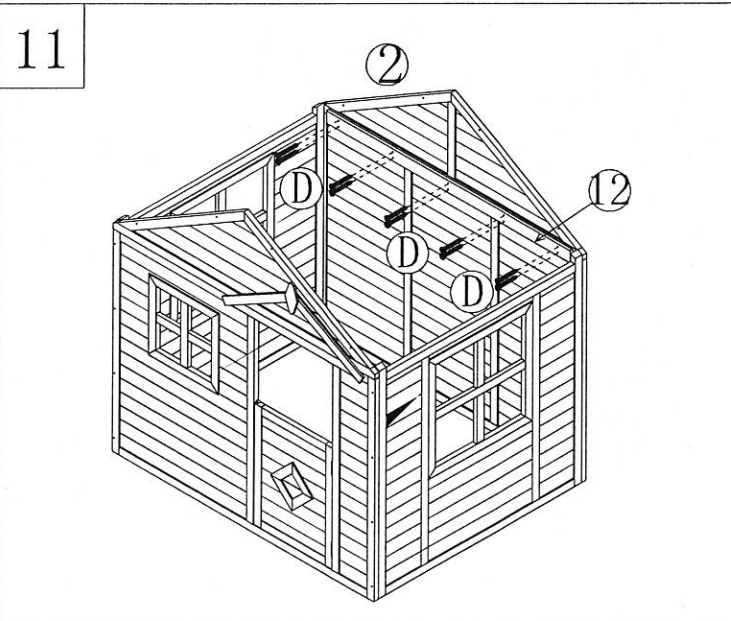
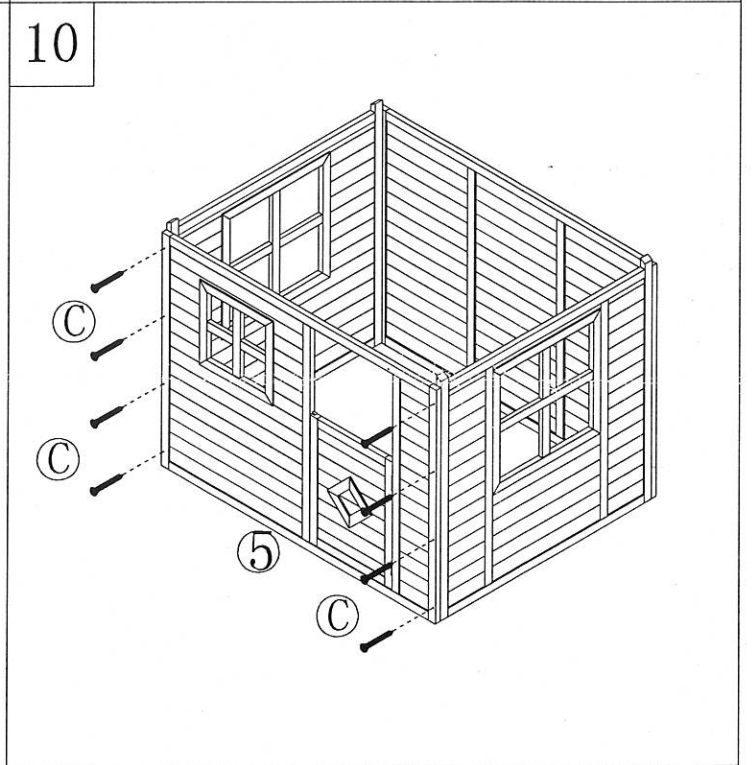
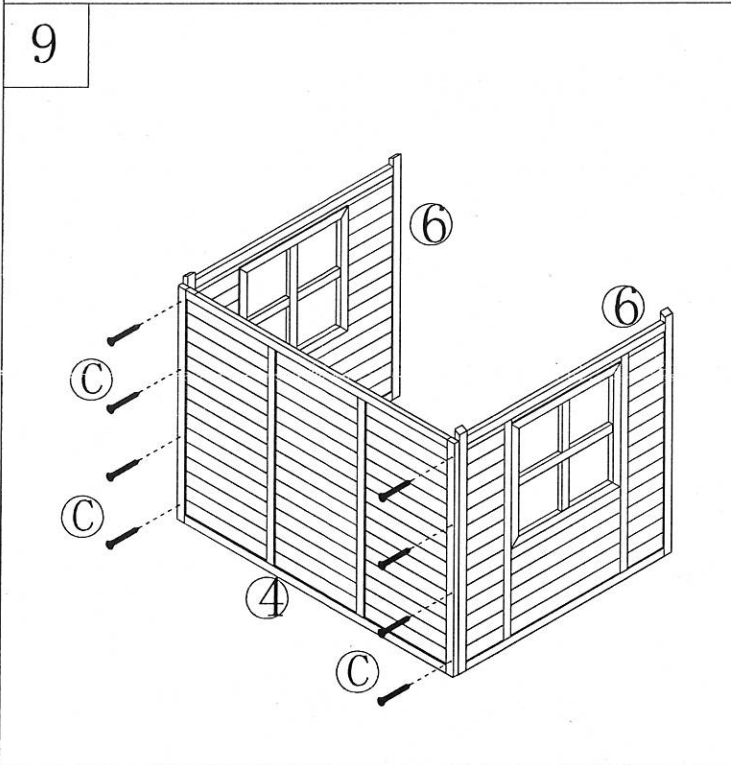
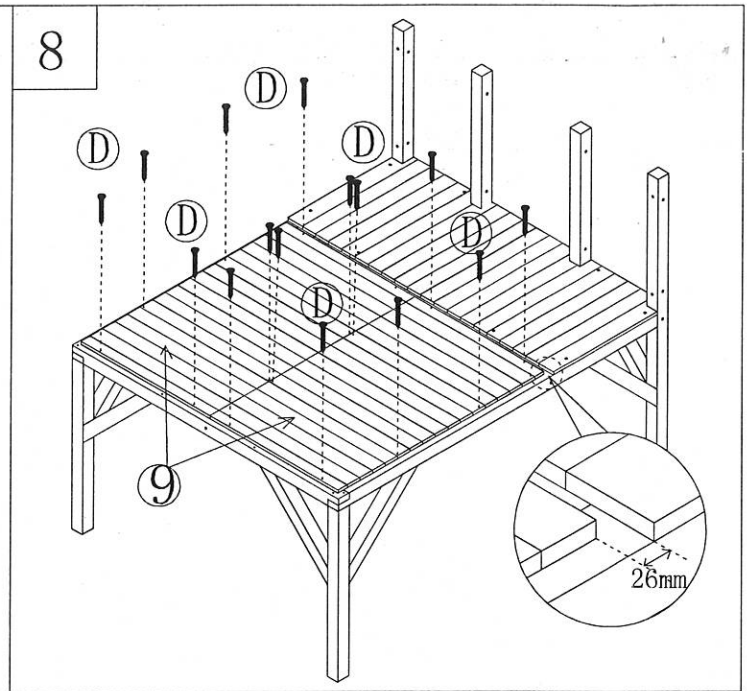
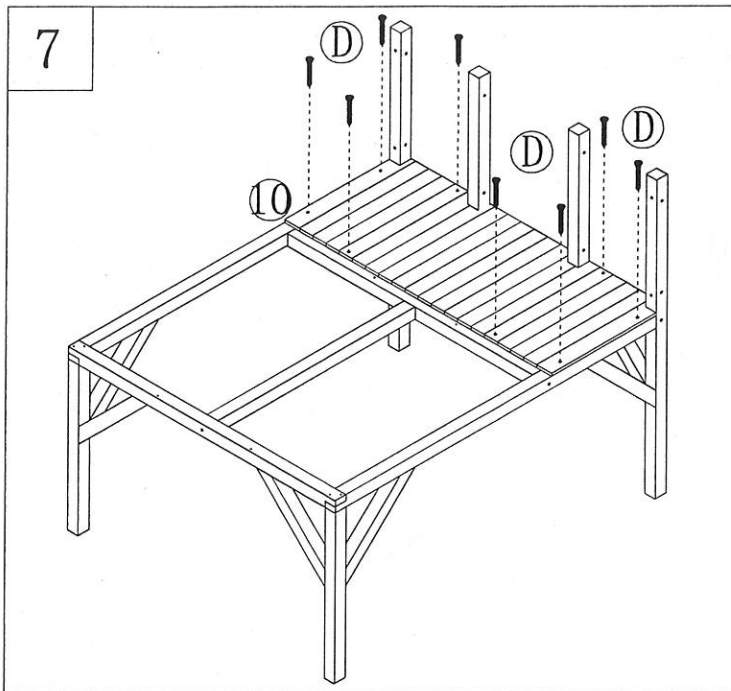
1		2pcs	4		1pc
2		1pc	5		1pc
3		1pc			

6		2pcs	12		2pcs
			13		4pcs
7		1pc	14		2pcs
8		2pcs	15		2pcs
9		2pcs	16		1pc
10		1pc	17		1pc
11		1pc	18		8pcs
			19		2pcs

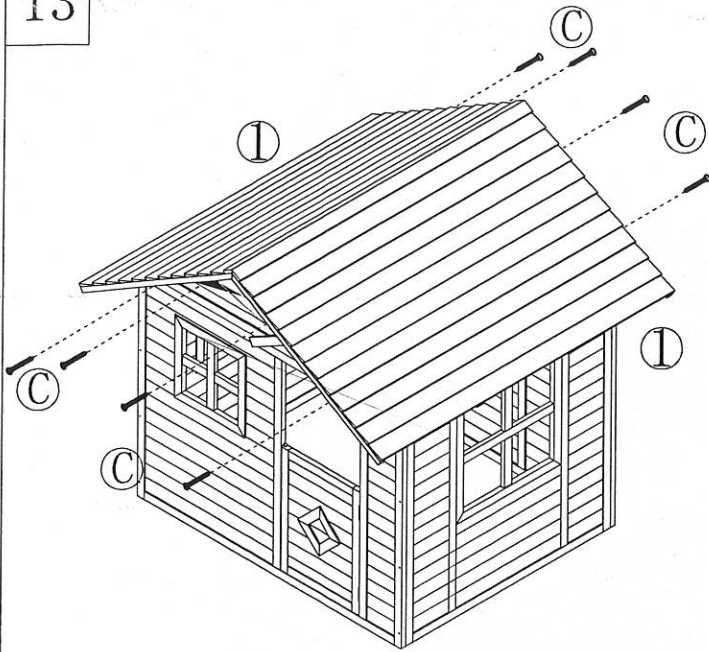
20		3pcs	A	 5*70	12pcs
			B	 4*60	48pcs
21		2pcs	C	 3.5*45	38pcs
			D	 3.5*30	64pcs
22		2pcs	E	 3*25	6pcs
			F	 Ø6*40	10pcs
23	 L R	2pcs	G	 Ø8*85	10pcs
			H		4pcs
24		1pc	I		1pc
25		1pc	J		1pc



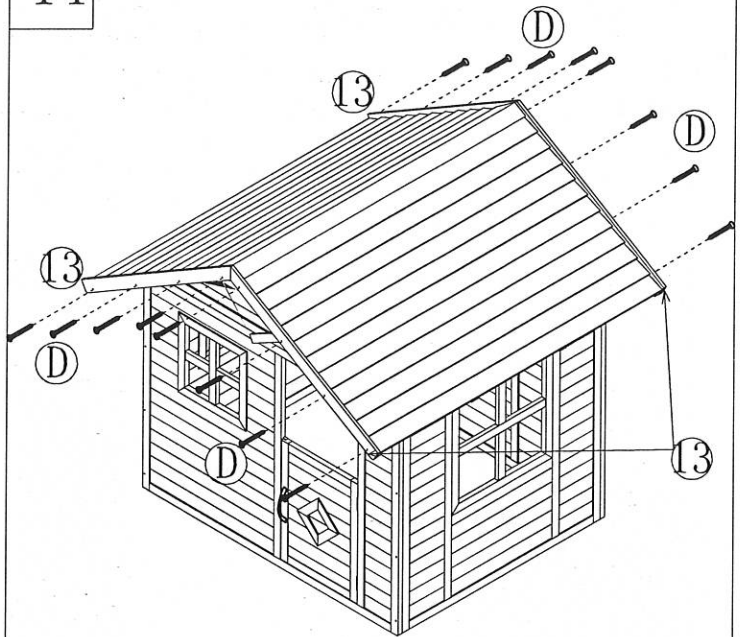




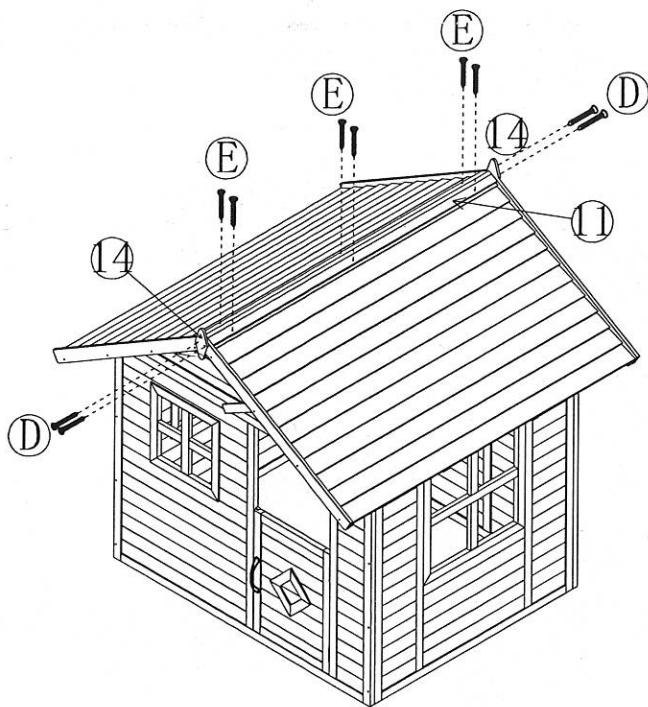
13



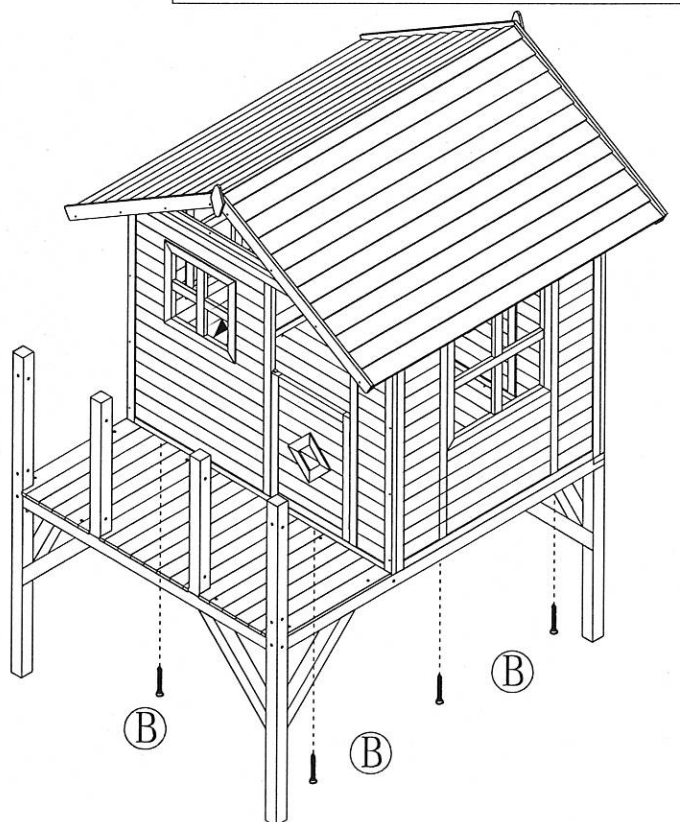
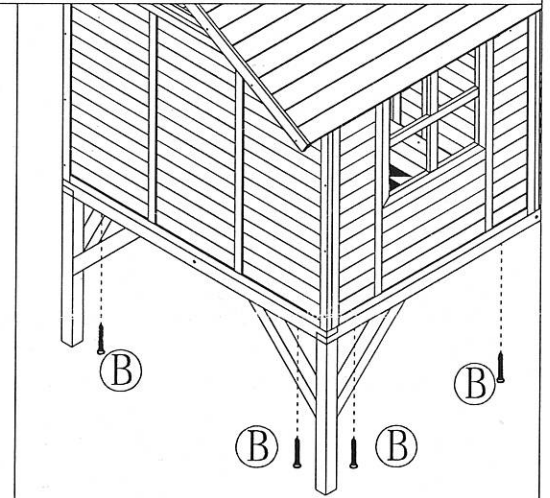
14



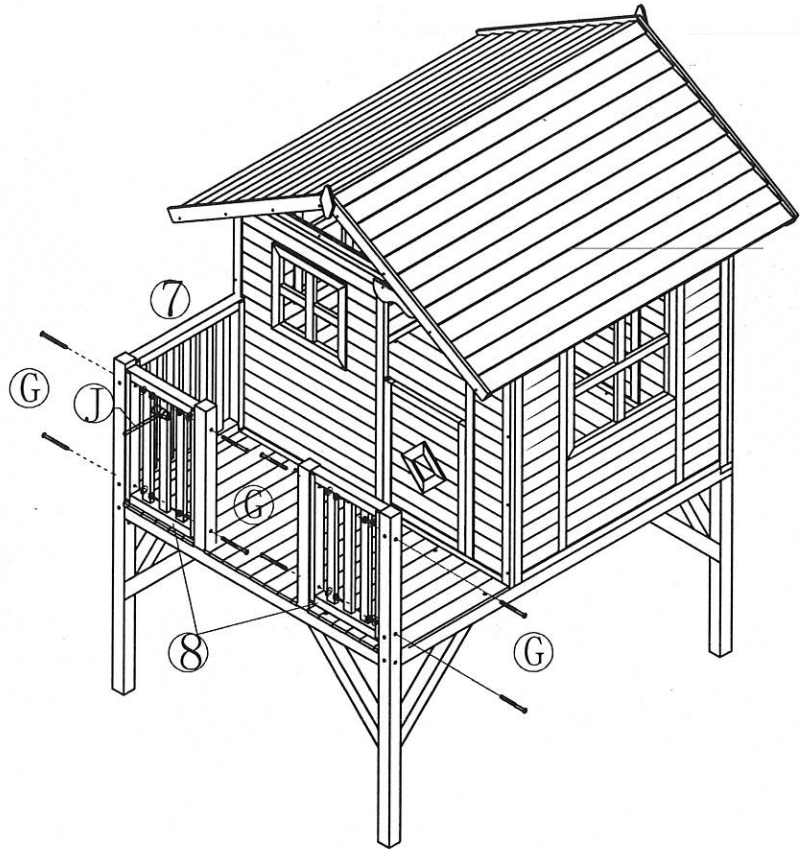
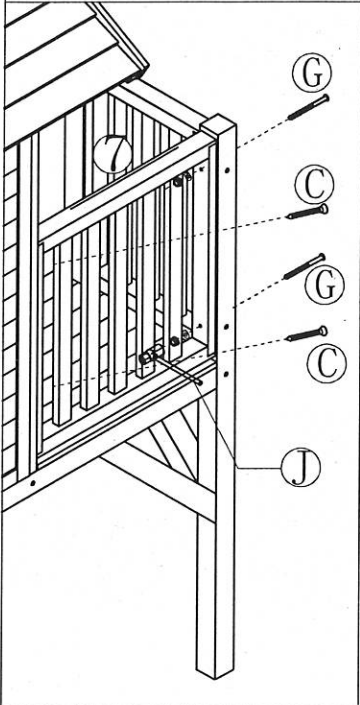
15



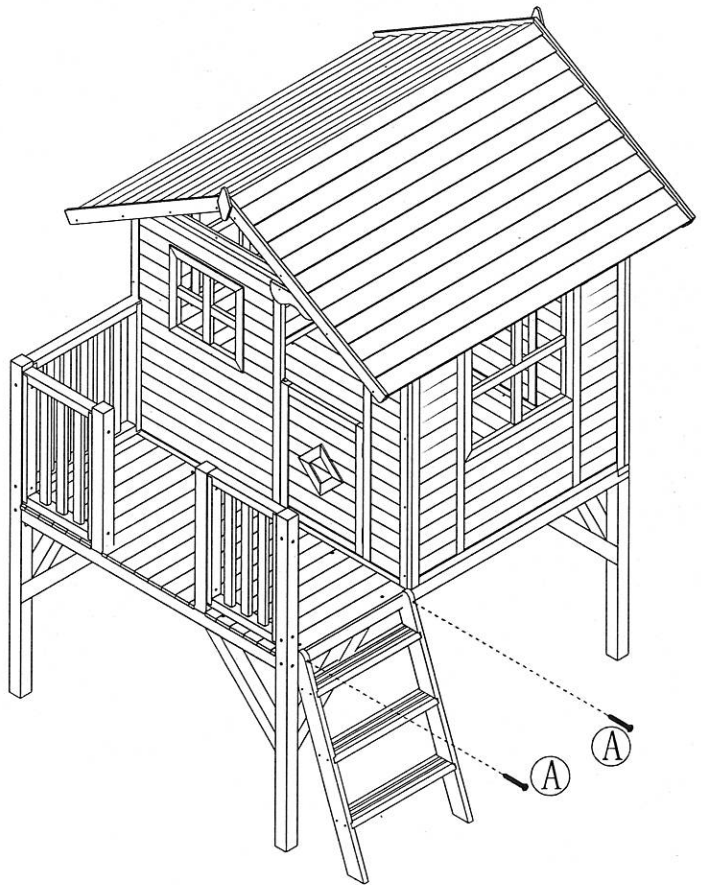
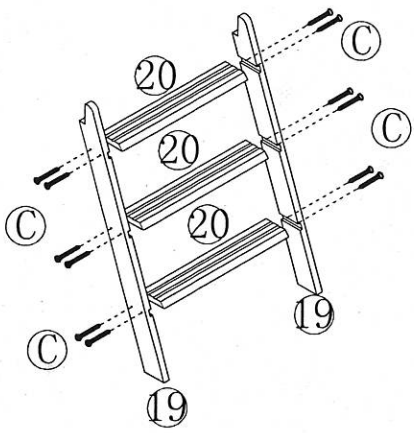
16



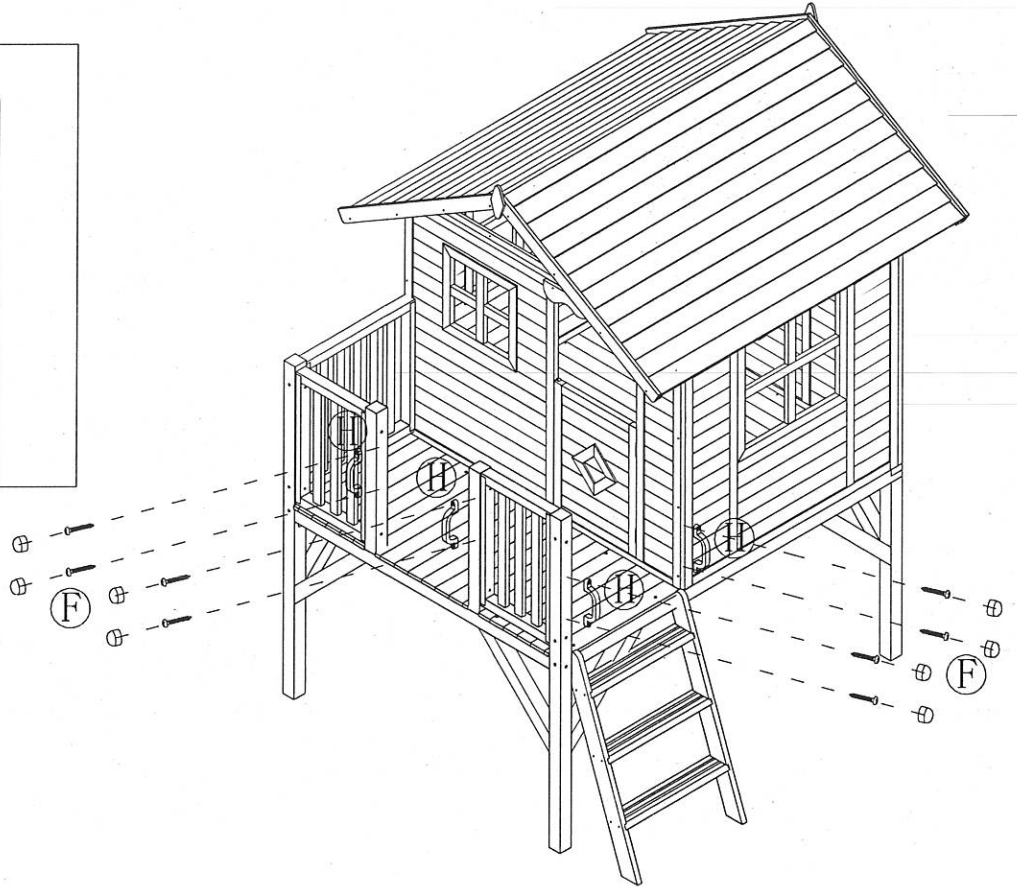
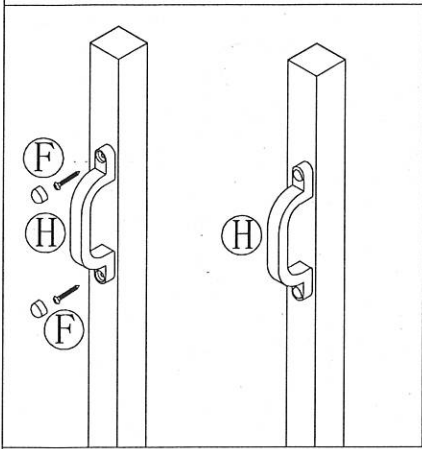
17



18



19



20

