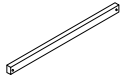
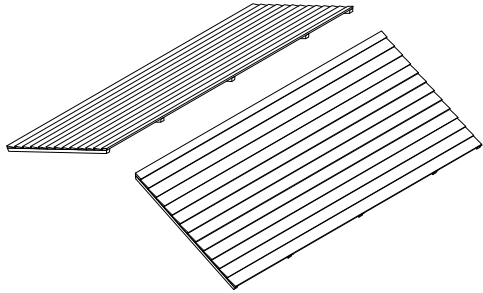


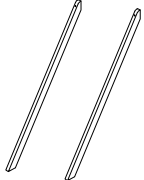

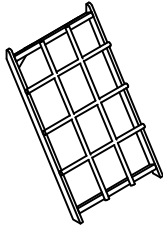

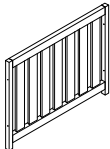

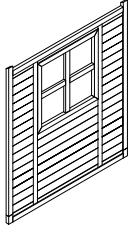
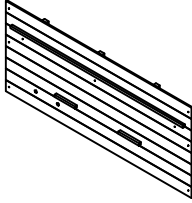
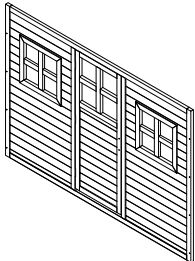
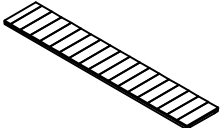
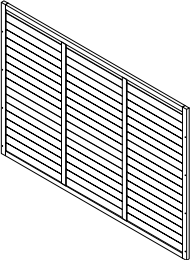

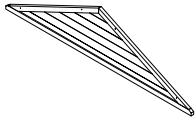
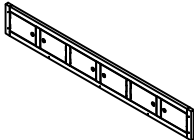
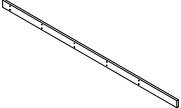
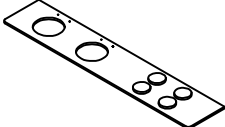
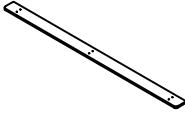

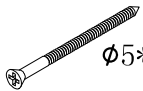

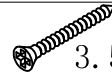
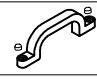
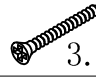
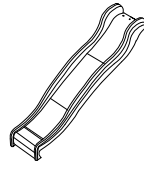
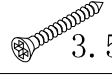

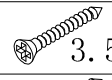
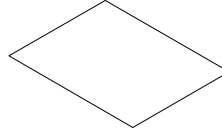











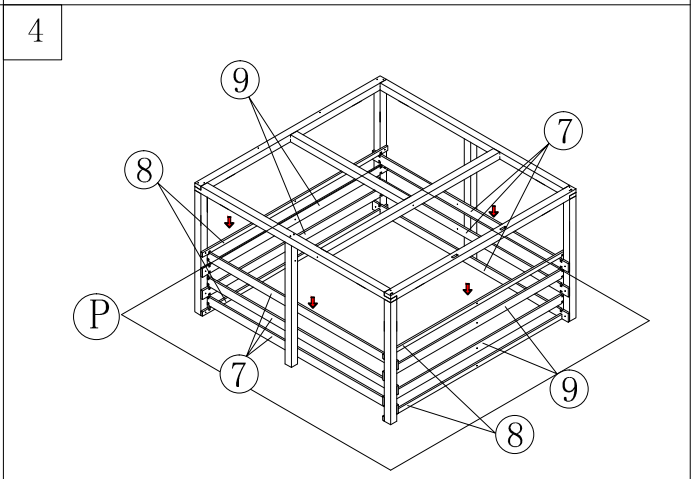
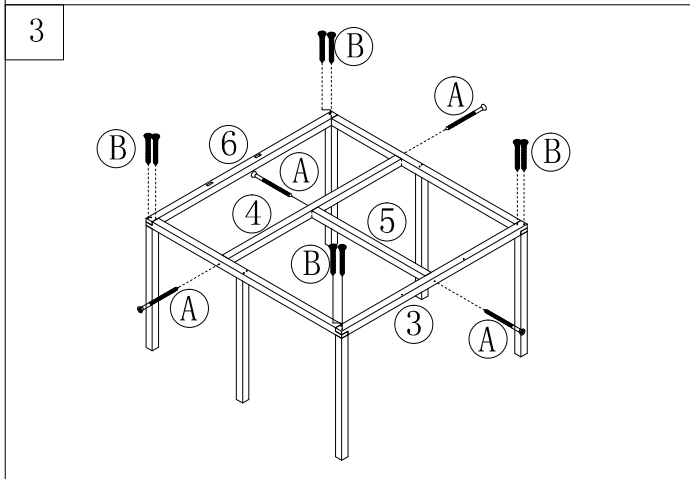
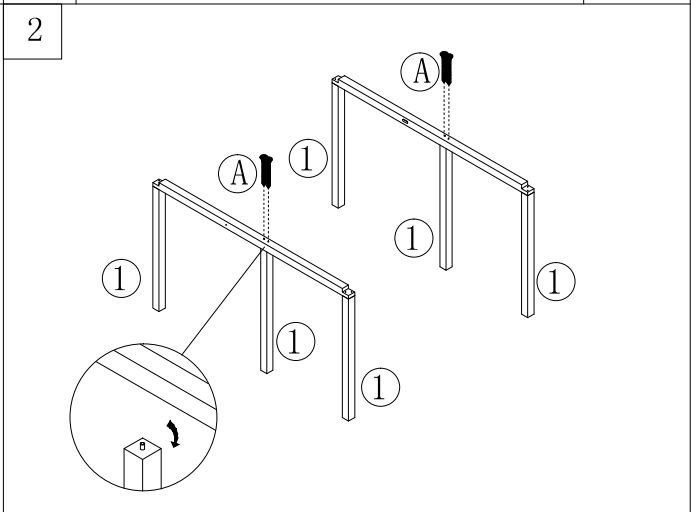
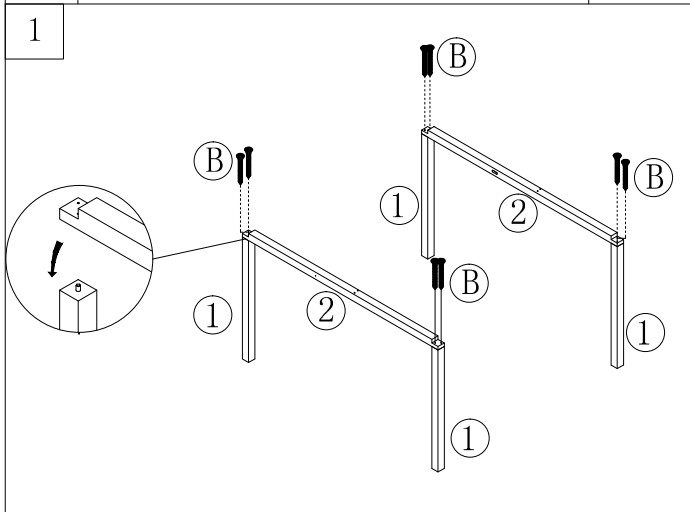


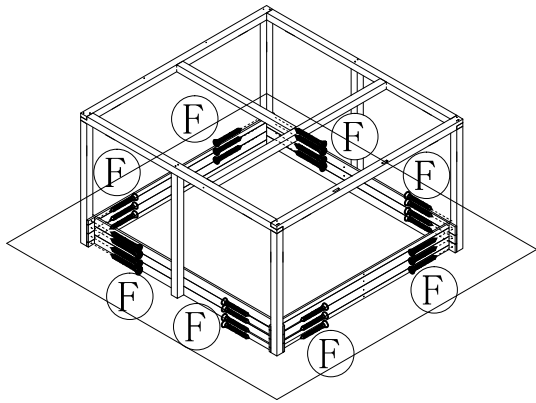
1		6PCS	10		2PCS
2		2PCS	11		2PCS
3		1PC	12		2PCS
4		1PC	13		12PCS
5		1PC	14		2PCS
6		1PC	15		1PC
7		6PCS	16		1PC
8		4PCS	17		2PCS
9		4PCS	18		1PC

19		1PC	30		2PCS
20		5PCS			
21		7PCS			
22		2PCS	31		4PCS
23		1PC	32		1PC
24		1PC	33		2PCS
25		2PCS	34		1PC
26		1PC	35		1PC
27		1PC	36		2PCS
28		2PCS	37		1PC
29		2PCS	38		1PC
			39		1PC
			40		3PCS

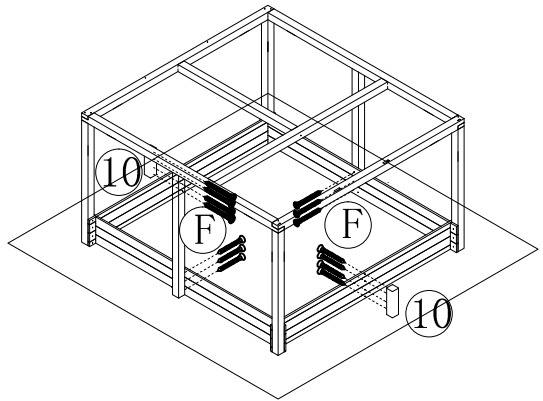
A	 Ø5*70mm	20pcs	M		5pcs
B	 3.5*60MM	80pcs	N		6pcs
C	 3.5*50MM	4pcs	O		1pc
D	 3.5*45MM	39pcs			
E	 3.5*40MM	4pcs			
F	 3.5*35MM	160pcs	P		1pc
G	 3*30MM	14pcs			
H	 3.5*25MM	11pcs	Q		2pcs
I	 3*25MM	6pcs	R		2pcs
J	 3*16MM	4pcs	S		4pcs
K	 Ø6*35MM	14pcs	T		1pc
L	 Ø8*30MM	10pcs	U		2pcs



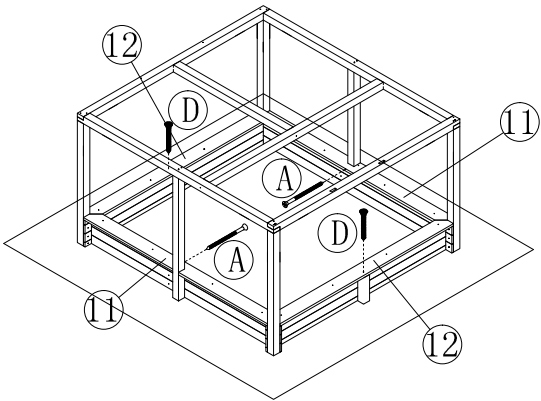
5



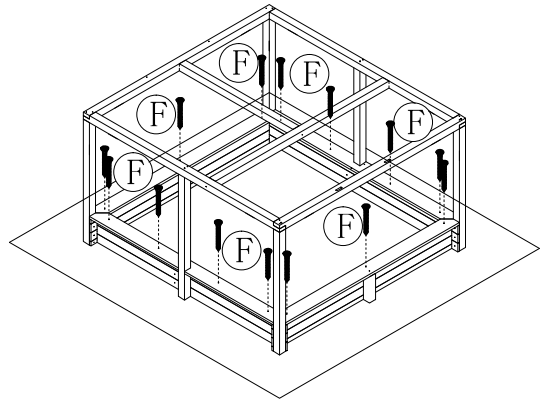
6



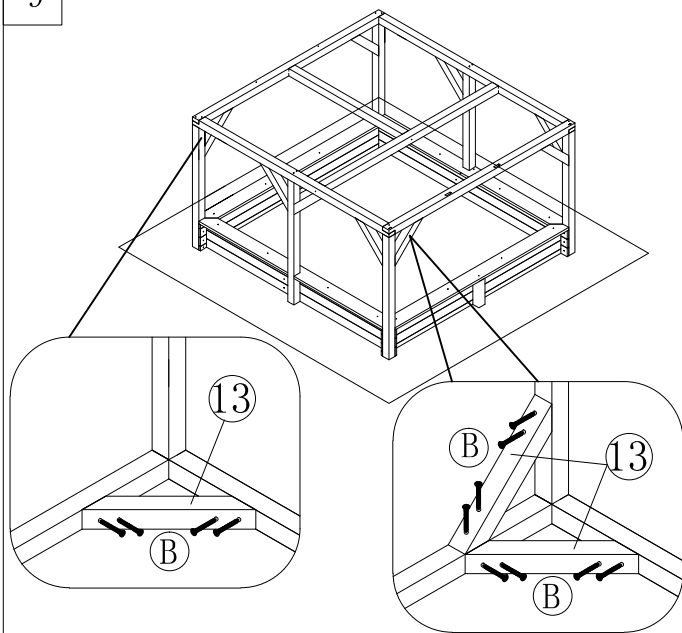
7



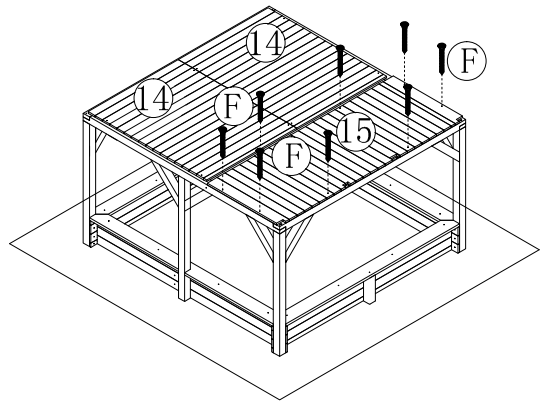
8

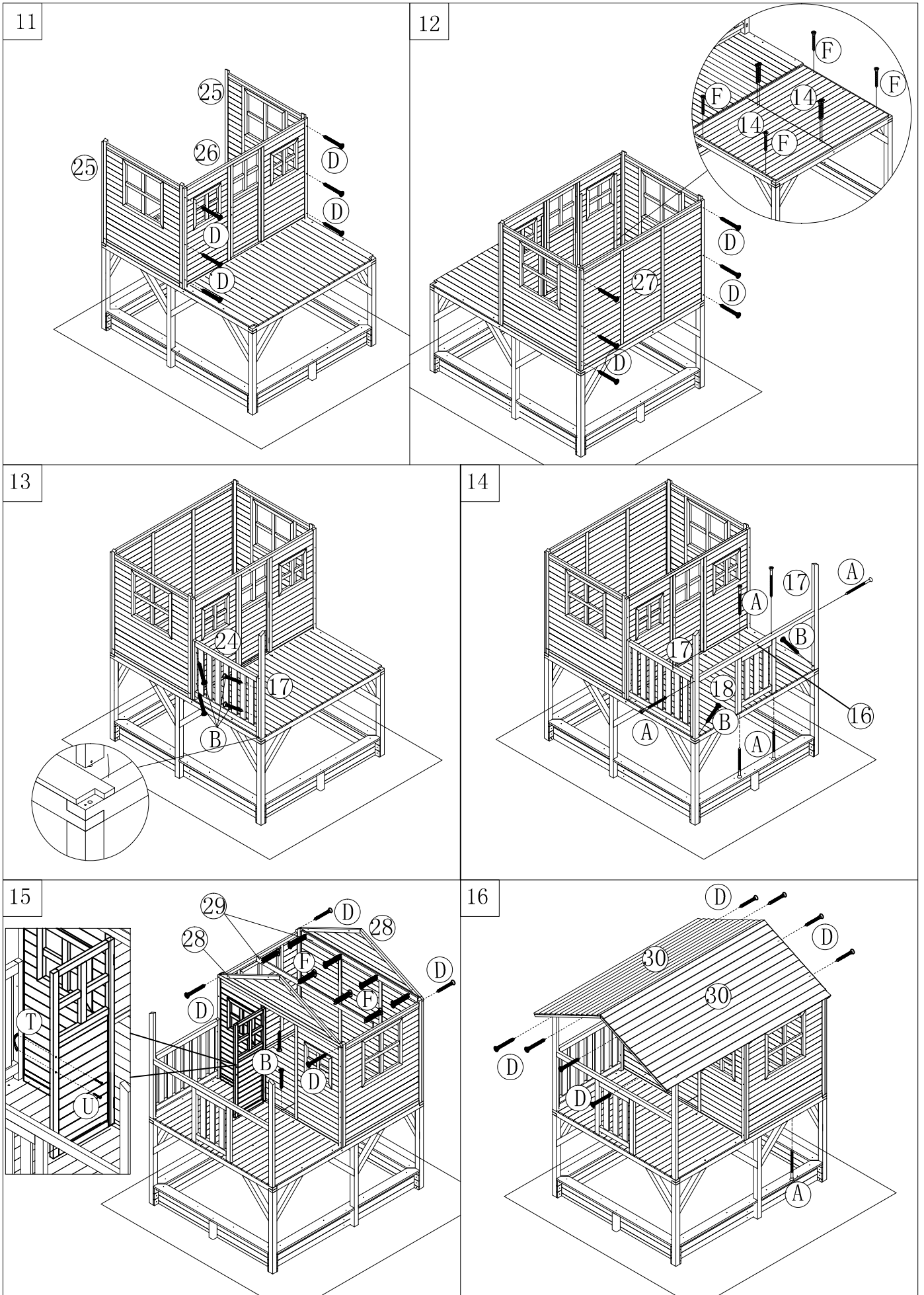


9

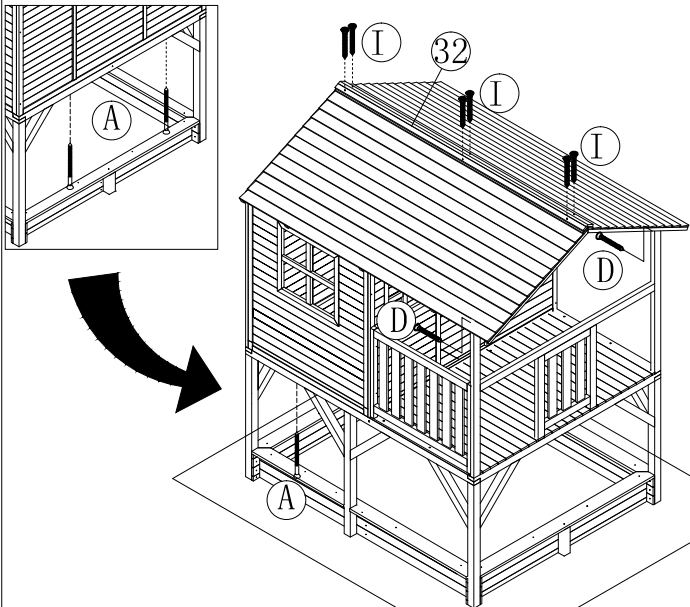


10

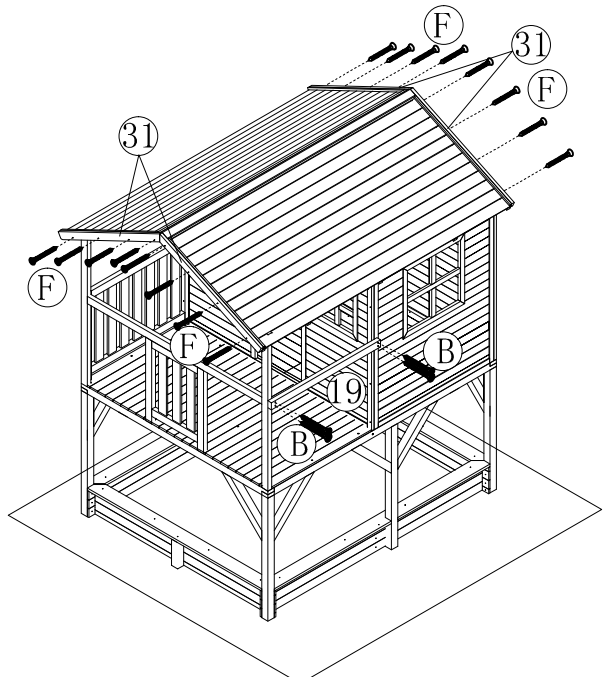




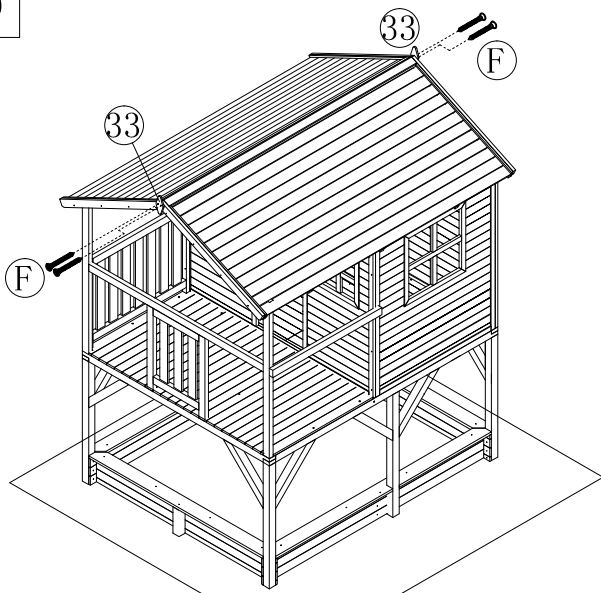
17



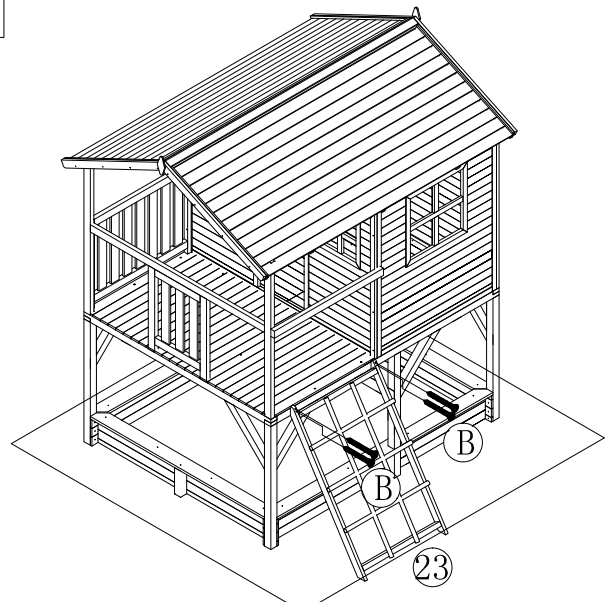
18



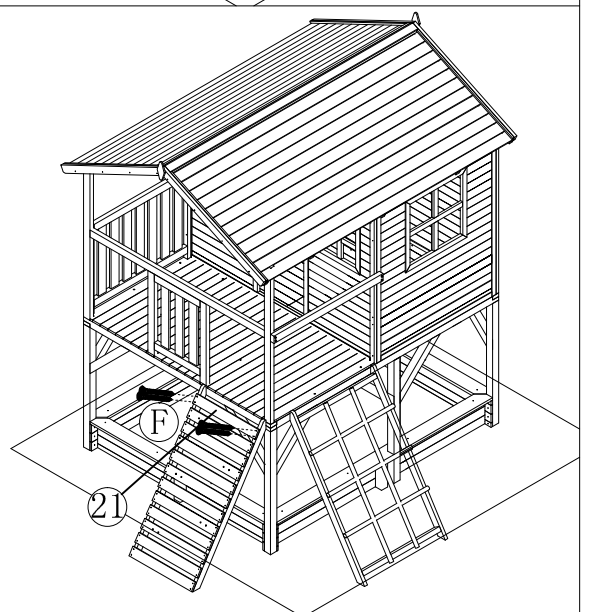
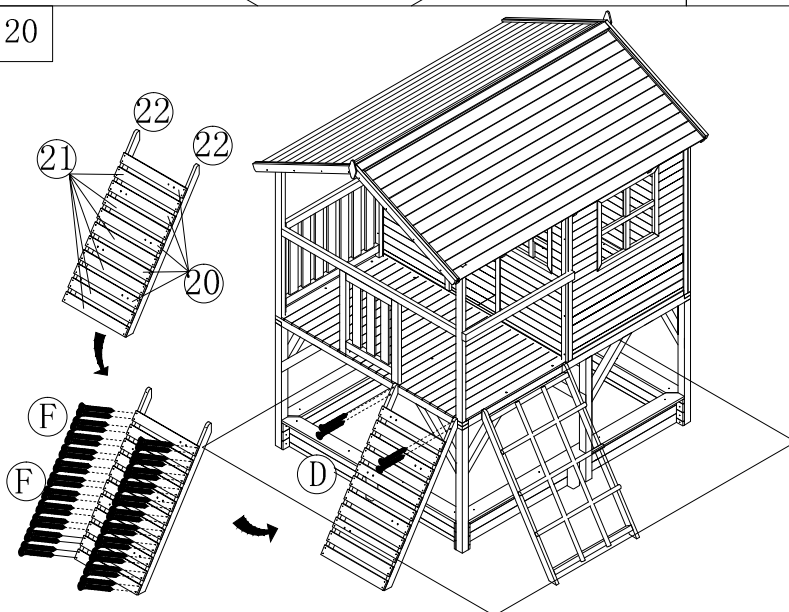
19



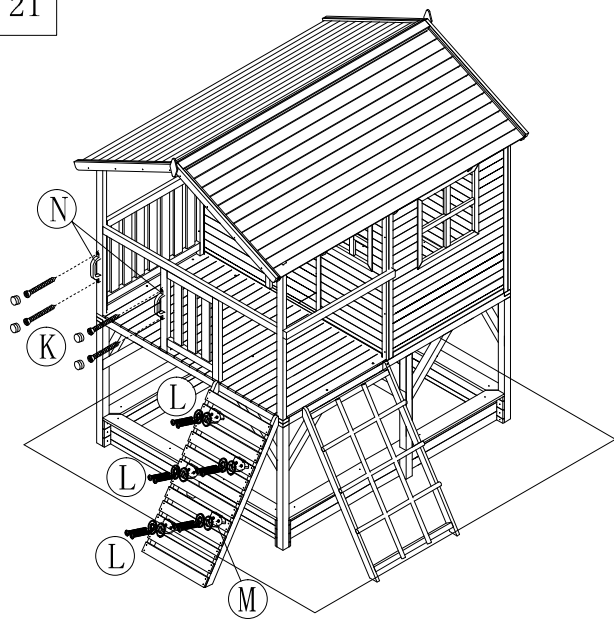
20



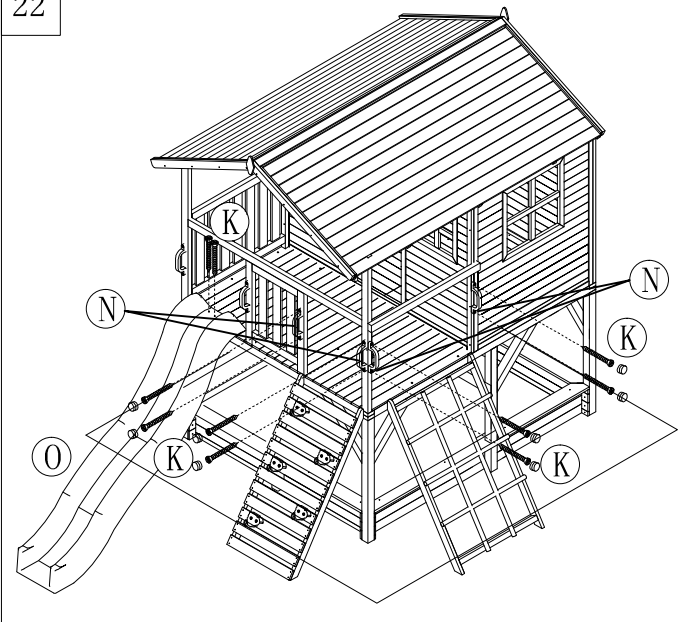
20



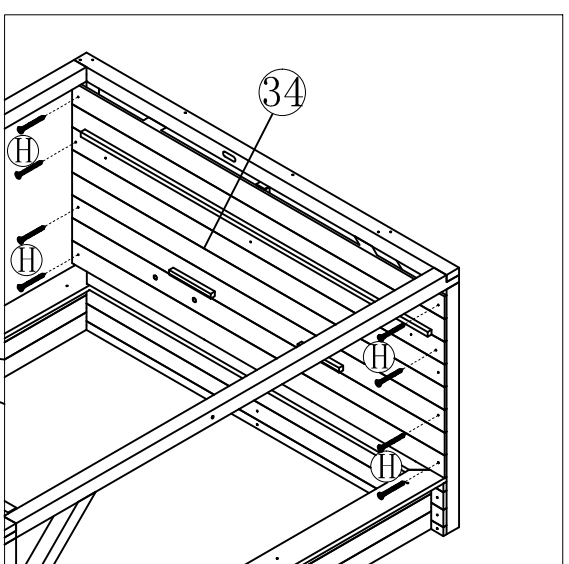
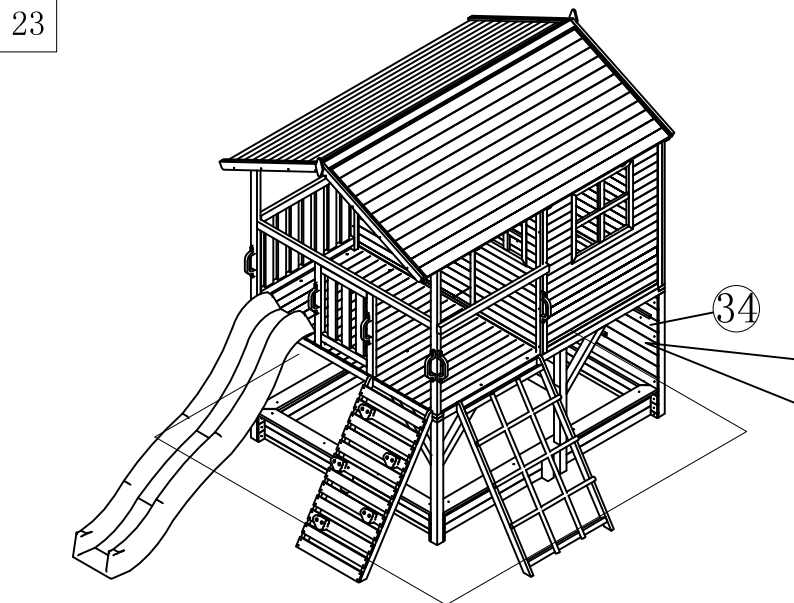
21



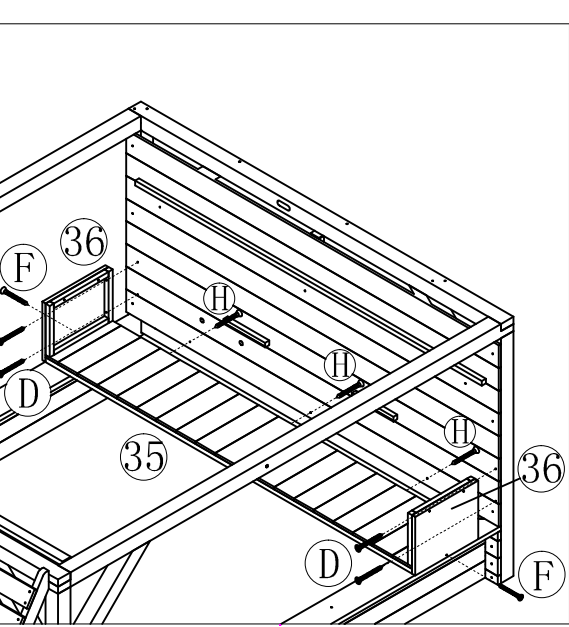
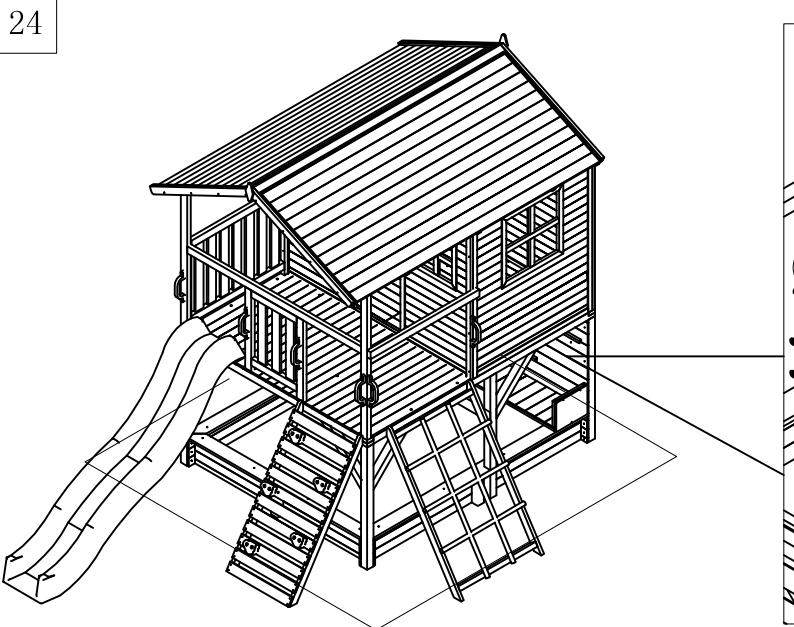
22



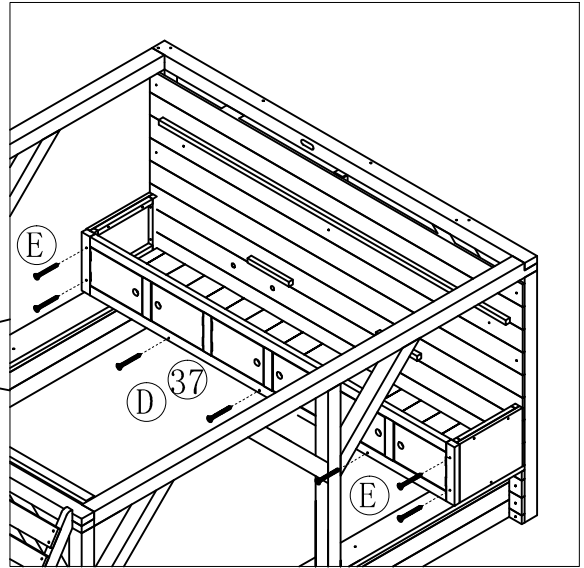
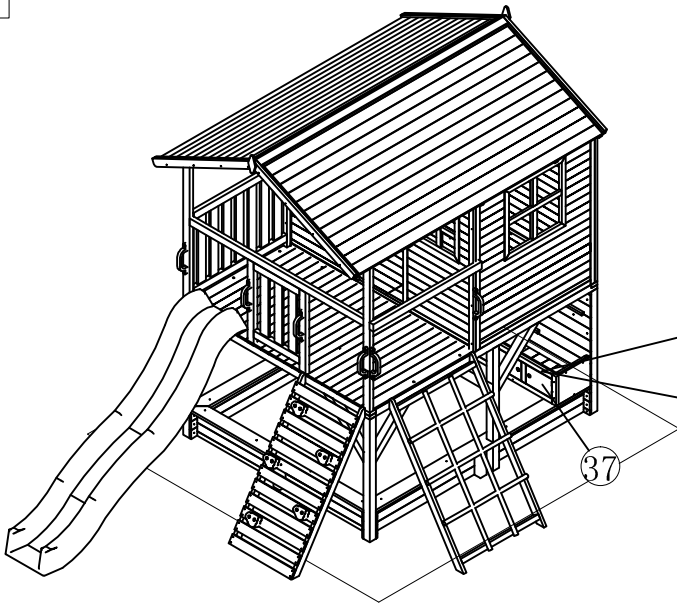
23



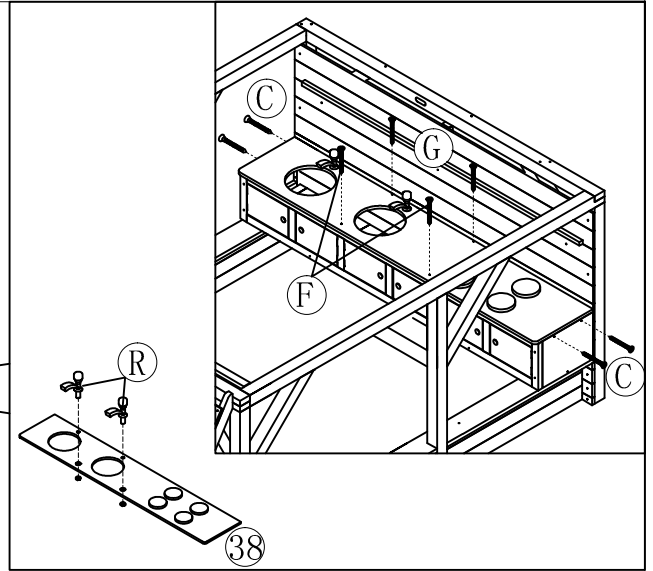
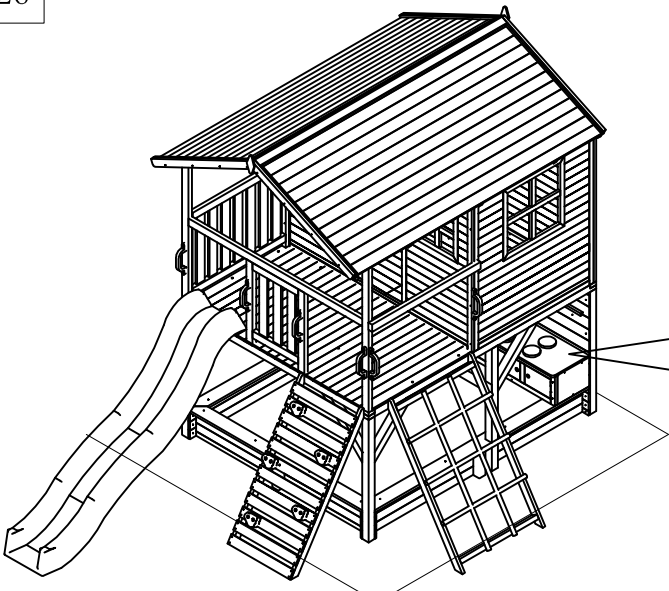
24



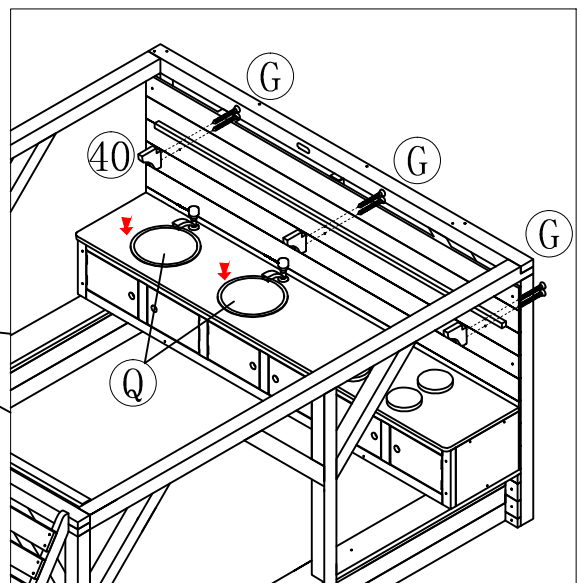
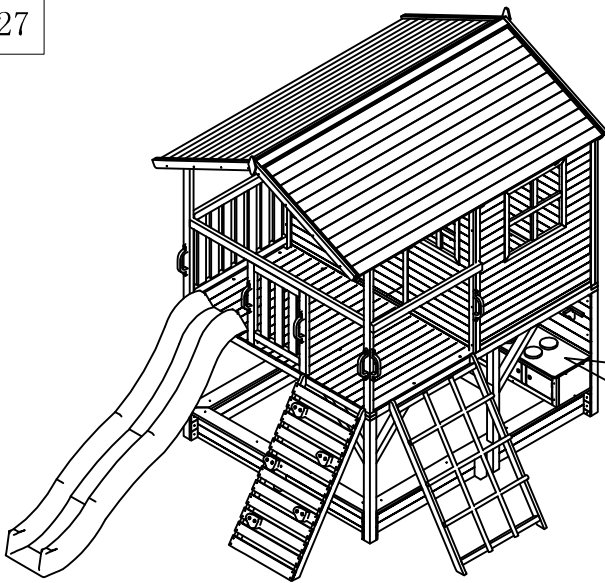
25



26

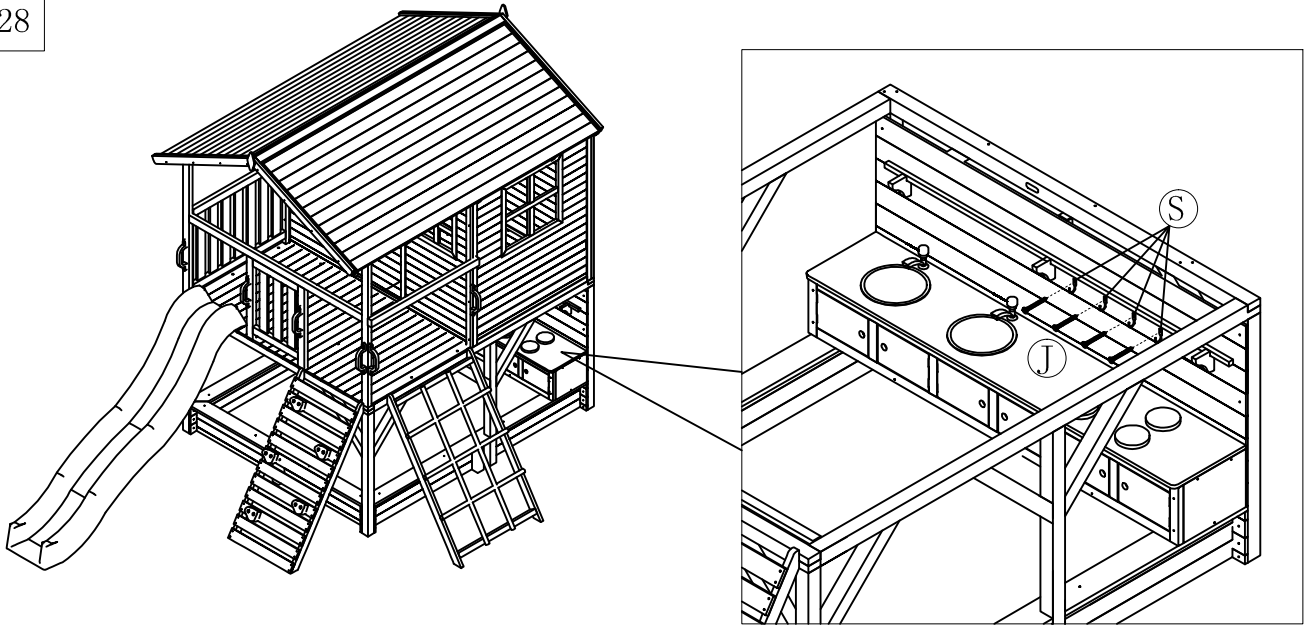


27

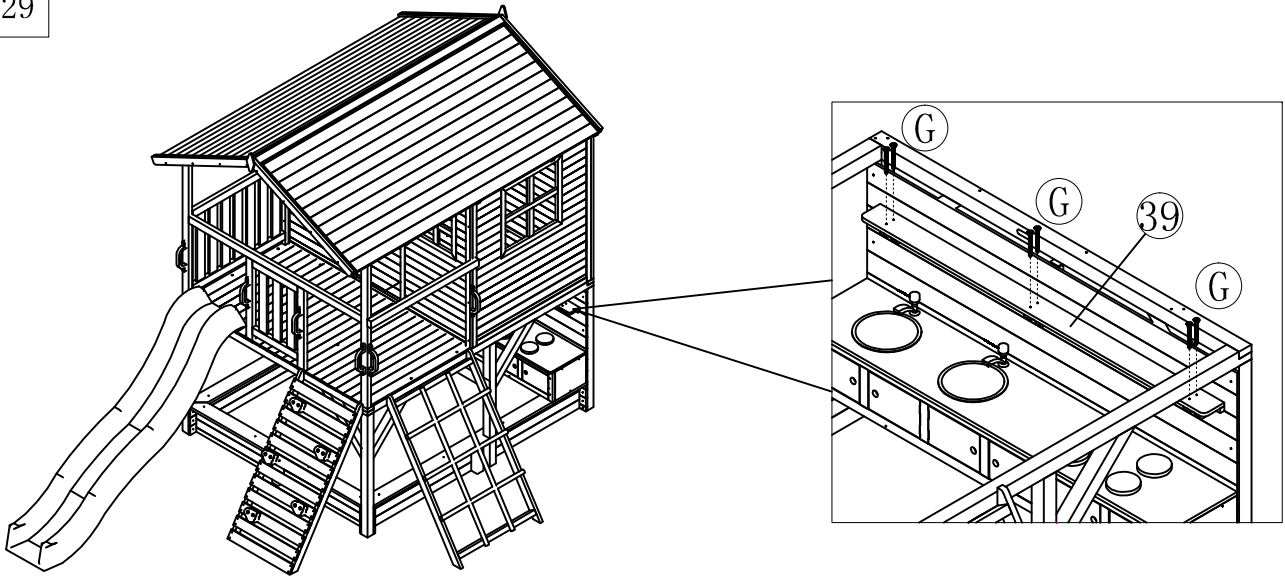




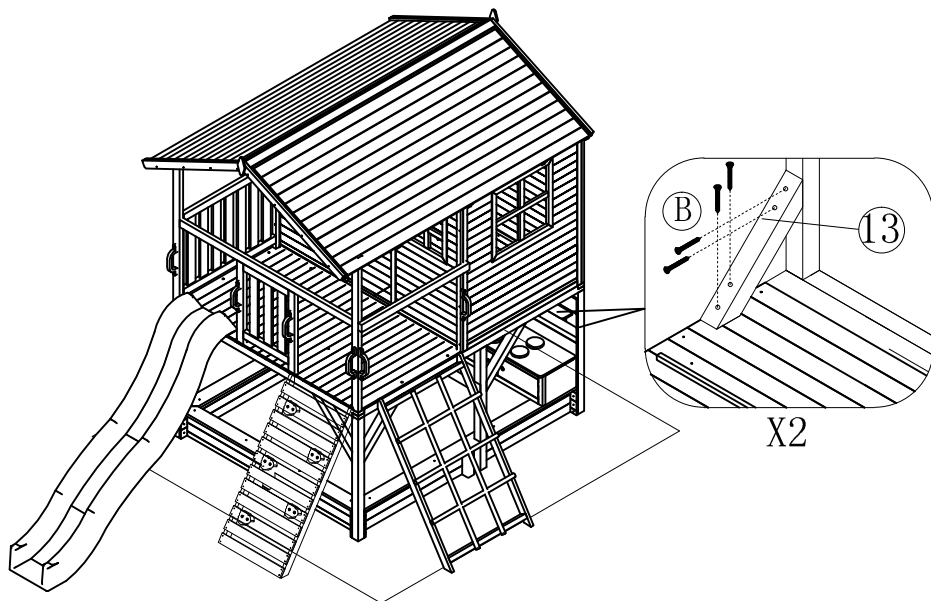
28



29



30



## PAINTING AND MAINTENCE

***Please inspect all boxes upon delivery for damage and report to Kidzshack immediately (within 3 days).***

### **Important Information:**

All unassembled cubby house boxes need to be stored in a dry and covered area until assembly.

### **Unpainted Cubby Houses:**

Some Cubby Houses from Kidzshack are supplied using unpainted raw timber. Although raw, every piece of timber used in a Kidzshack has been heat treated for 9 days. Heat treatment improves the durability of the timber and draws out the moisture making it less appealing to insects.

Every effort is needed to keep the cubby dry until paint is applied inside and out on all unpainted cubby houses. Painting the cubby house will create a barrier from the harsh Australian elements; it will also assist in repelling water from the surfaces of the cubby.

### **Stained Cubby Houses:**

Some Kidzshack Cubbies do come pre-stained (water-based). The stain does provide some protection, but like all water-based stains they have a life, depending on the surrounding environment. For total protection we still recommend painting the cubby house within 4 weeks of outdoor exposure.

### **Painting Tips:**

Painting your cubby prior to assembly is the easiest and fastest way.

After consulting painting professionals, we recommend:

- Two coats of undercoat over the entire cubby, then
- Two coats of a gloss paint over the entire cubby.

\*Some Hardware Stores may suggest a primer or a paint with a built-in undercoat, please do not use these. These are not as effective as a dedicated undercoat.

### **Can I do anything else to protect the cubby house?**

If you would like total protection from the rain, then we recommend using no gaps or a suitable waterproof sealer on the roof slates. If you have generously applied gloss paint to the roof, then you will most likely not require the sealer.

### **Cubby Placement:**

The placement of your cubby house is just as important as painting.

Please ensure the cubby is not placed directly on grass, this is due to possible moisture build up under the cubby which can result in waterlogged timber. We recommend placing some pavers or some sleepers under the feet or floor so that it can assist in levelling the cubby house whilst keeping it dry.

KidzShack does not offer any warranty against insect damage (beetles/white ants/Termites etc) No KidzShack product is chemically treated for insects. All KidzShack Cubby Houses must be assembled and slightly elevated off the ground, to allow for light and air flow. KidzShack recommends household bricks or pavers. This will deter any white ant or termite infestation. KidzShack recommends a minimum of 50mm elevation off the ground. If using bricks/pavers for elevation, please use a minimum of 8 bricks per square meter, Please don't exceed 500mm from one brick to another. KidzShack does not recommend using another wood product for cubby house elevation.

Ensure the cubby house is placed away from trees that can possibly drop branches onto the cubby and cause damage.

Lastly, ensure the cubby house is placed in an area that receives plenty of sunlight. Sunlight and air flow will decrease the chances of mold growth. Mold can cause moisture retention and will ultimately result in the timber to become water logged, causing rot.

## Warranty Policy

Our warranty only applies to the original purchaser from where the purchase was made from our [www.kidzshack.com.au](http://www.kidzshack.com.au) or [www.crazywholesalers.com.au](http://www.crazywholesalers.com.au) online store or office at 3 Geelong Crt Bibra Lake. All warranties commence on the date of purchase.

### Call Outs

Our warranty period only covers parts replacement and does not include call-outs which will be separately charged. Please note that in some areas, call outs may not be available. Additional labour charges may apply for any additional work performed on-site.

### Warranty Terms and Conditions

*\*Our terms and conditions laid out does not limit any statutory rights which may be available to the Australian consumer in respect of the product, including those under the Australian Consumer Law.*

- All warranties provided are conditional upon family domestic use of the product
- All warranties apply to the original purchaser from where the purchase was made from official Kidzshack Office; they are strictly not transferable.
- All warranties commence on the date of purchase
- Failure to service the equipment in accordance with the user manual's specifications and recommendations will void your warranty. For example, Timber components exposed to harsh weathering will need to be re-coated & re-sealed with appropriate lacquer and/or water-based sealant to preserve the wood rot/insect damage warranty. Nuts/Bolts need to be checked and tightened monthly.
- Timber surface cracks are normal and will not affect the structural integrity of your product. This is not considered a fault under warranty.
- Any modifications made to the equipment will void the warranty. This does not include maintenance, anchoring (using anchor units provided) or replacing damaged parts with Kidzshack model parts.
- Only fittings and accessories provided by Kidzshack should be used with Kidzshack products or your warranty may be invalidated.
- Our warranty does not apply to ordinary wear & tear of the product.
- Liability is limited to the faulty part, which will be repaired or replaced at our discretion.
- The Warranty only applies to purchases made in Australia, and the item must be kept in Australia.

- • The Warranty will be void if the product's fault arises from abuse, incorrect installation, inappropriate usage, weather related damage or Acts of god.
- • Having the product assembled by a professional assembler will not extend the warranty term.
- • Damage resulting from:
  - – Transportation (excludes transit damage when dispatched from an authorised KidzShack reseller)
  - – Abuse, misuse, excessive use, failure to follow instructions, improper or abnormal usage;
  - – Alteration, modification, defective installation;
  - – Unauthorised repairs, alterations or modifications from an unauthorised third party.
  - – Pests, mice, cockroaches or other insects;
- • Consumable or Expendable parts such as paint and finish is not covered under warranty, and is considered ordinary wear & tear.

Nothing in this warranty policy limits or excludes any guarantees, warranties, representations or conditions implied or imposed by law, including the Australian Consumer Law ("ACL") (or any liability under them) which by law may not be limited or excluded. If you are a "consumer" under the ACL, the following notice applies to you:

*"Our goods come with warranties and guarantees that cannot be excluded under the Australian Consumer Law ("Consumer Guarantees").*

*You are entitled to a replacement or a refund for a major failure and for compensation for any other reasonably foreseeable loss or damage.*

*You are also entitled to have the goods repaired or replaced if the goods fail to be of acceptable quality and the failure does not amount to a major failure."*

### **Warranty Period Details**

Crazy Wholesalers & Kidzshack provides full minimum 12 months warranty coverage on all Cubby Houses. All other products come with a 90 day warranty.