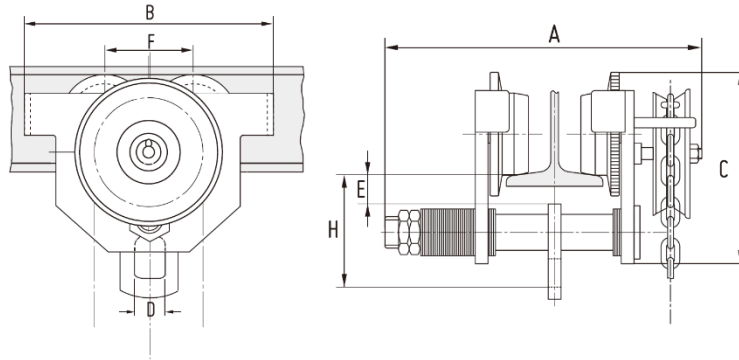


# GT- Geared Trolley



ITEM NO.	CAPACITY	BEAM WIDTH	A	B	C	D	E	F	NET WEIGHT
	lbs	Inches	Inches	Inches	Inches	Inches	Inches	Inches	lbs
GT005	1,100	2.68~4.96	9.84	7.68	7.09	0.87	0.79	3.78	18.08
GT010	2,200	3.15~5.74	10.24	8.27	7.87	0.94	0.86	4.02	23.15
GT020	4,400	3.15~6.61	11.61	9.84	8.8	1.18	0.86	4.72	34.17
GT030	6,600	3.46~6.61	13	11.81	9	1.38	1.06	5.43	52.91
GT050	11,000	3.94~7.09	14.57	13.17	15	2.36	1.18	6.14	80.47
GT100	22,000	4.92~7.99	19.19	17.91	17.72	3.23	1.4	7.9	227.08

**Material** High Tensile steel  
**Process** Welded / Assembly  
**Style** GCL-B / 620 / Geared Trolley  
**Finish** Powder Coating



**BISON**  
 LIFTING EQUIPMENT