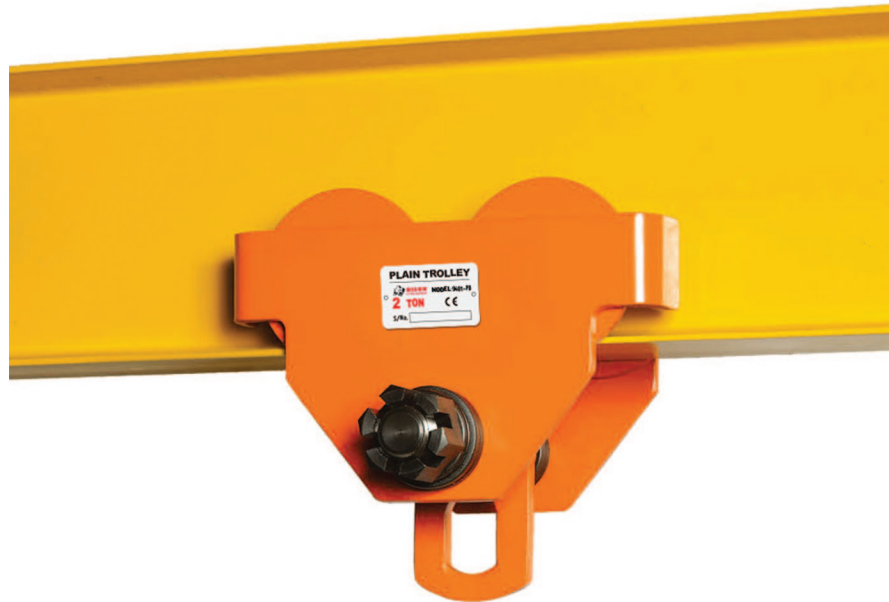
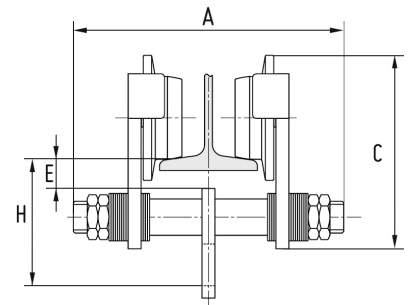
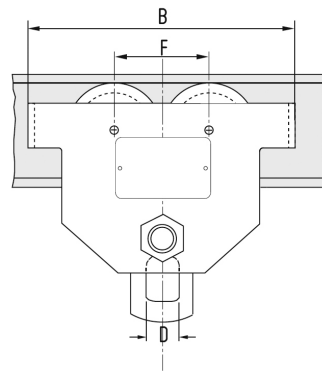


Plain Trolley

The **Push Travel Plain Trolley** is adjustable to any beam width by simply adjusting the number of collars.



- Complies with ASME B30.11
- Minimum Headroom
- Heavy Duty Durable Steel
- Easy Installation
- Up to 10 Tons
- Drop-protect Side Plates
- Smooth Operation
- Adjustable Beam Width



Product Code	Capacity	Beam Width	A	B	C	D	E	F	H	Net Weight
	<i>lbs.</i>	<i>inches</i>	<i>inches</i>	<i>inches</i>	<i>inches</i>	<i>inches</i>	<i>inches</i>	<i>inches</i>	<i>inches</i>	<i>lbs.</i>
PT005	1/2T	2.68 – 4.96	8.27	7.68	7.09	0.87	0.78	3.78	3.54	12.13
PT010	1T	3.15 – 5.74	9.06	8.27	7.87	0.94	0.87	4.02	3.74	18.08
PT020	2T	3.15 – 6.61	9.65	9.84	8.79	1.18	0.87	4.72	4.92	28.66
PT030	3T	3.46 – 6.61	11.02	11.81	8.99	1.38	1.06	5.43	5.51	46.29
PT050	5T	3.94 – 7.09	13.19	13.17	13.17	1.65	1.18	6.14	6.67	74.96
PT100	10T	4.92 – 7.99	13.58	17.91	14.29	2.86	1.38	7.87	10.83	196.21