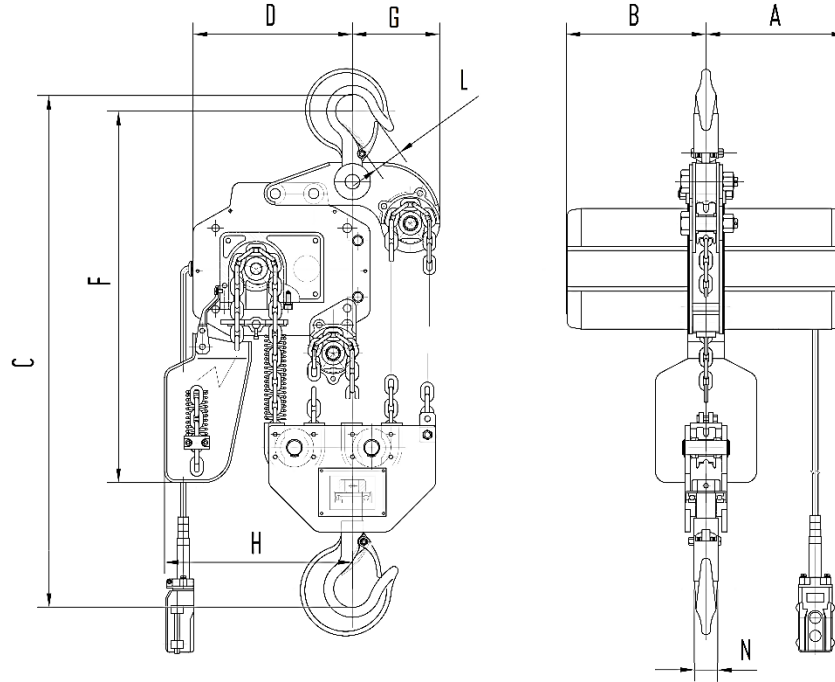




BISON

LIFTING EQUIPMENT



5 TON

Product Code:	Cap.	Standard Lift Height	Lifting Speed	Motor Output	Power Supply	Control Voltage	Rated Current (amps)		Load Chain Size	Chain Fall	Pendant Cord Length	Total Net Weight
	Tons	Ft.	Ft./min	Hp.	Volts (1-Phase)	Volts	@115v	@230v	mm	Lines	Ft.	Lbs.
HH-B50	5	20	4.2	2	115/230V	24	14.2	7.1	7.1	5	17	369

Product Code	Cap.	Head Room (C)	A	B	G	D	L	F	H	N
	Ton	Inches	Inches	Inches	Inches	Inches	Inches	Inches	Inches	Inches
HH-B50	5	35	10	10	4	11	2.20	29	13	1.89