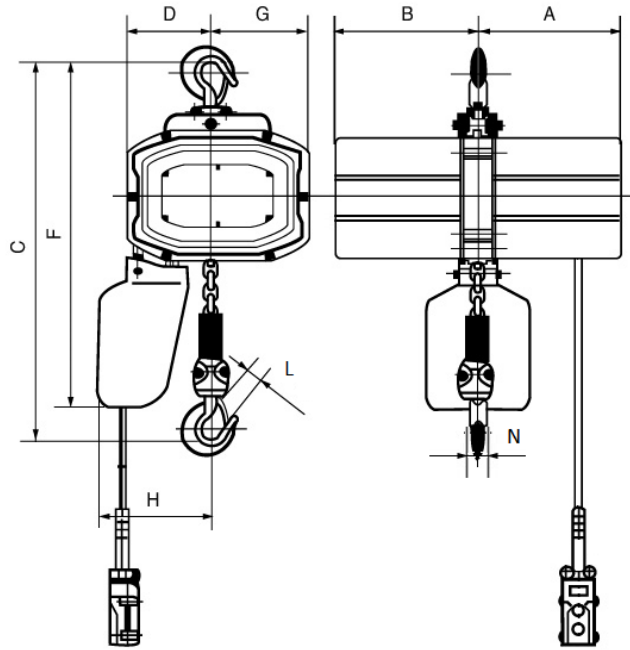




BISON

LIFTING EQUIPMENT



1/4, 1/2, 1 TON

Product Code:	Cap.	Standard Lift Height	Lifting Speed	Motor Output	Power Supply	Control Voltage	Rated Current (amps)		Load Chain Size	Chain Fall Lines	Pendant Cord Length	Total Net Weight
	Tons	Ft.	Ft./min	Hp.	Volts (1-Phase)	Volts	@115v	@230v	mm		Ft.	Lbs.
HH-B025	1/4	20	21	1.3	115/230V	24	9.8	4.9	7.1	1	17	148
HH-B05	1/2	20	21	1.3	115/230V	24	9.8	4.9	7.1	1	17	148
HH-B10	1	20	21	2	115/230V	24	14.2	7.1	7.1	1	17	150

Product Code	Cap.	Head Room (C)	A	B	G	D	L	F	H	N
	Ton	Inches	Inches	Inches	Inches	Inches	Inches	Inches	Inches	Inches
HH-B025	1/4	21.5	10	10	7	6	1.47	22	8	0.73
HH-B05	1/2	21.5	10	10	7	6	1.47	22	8	0.73
HH-B10	1	22.8	10	10	7	6	1.47	24	8	0.73