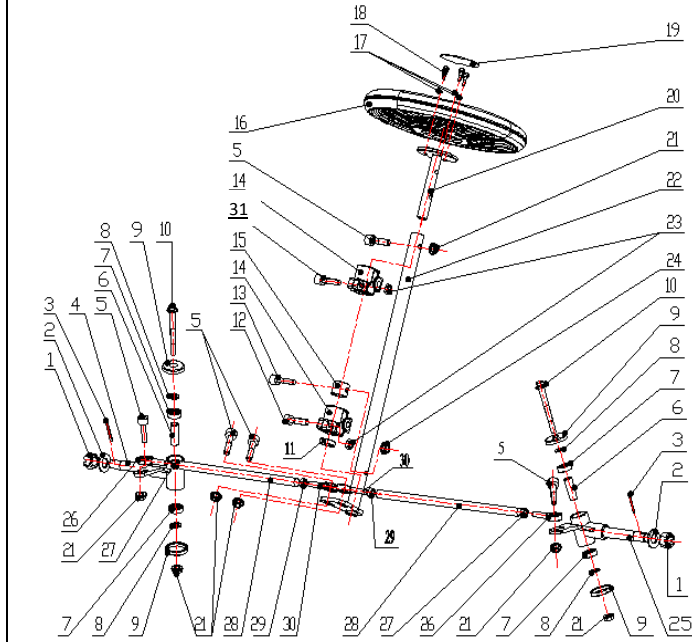
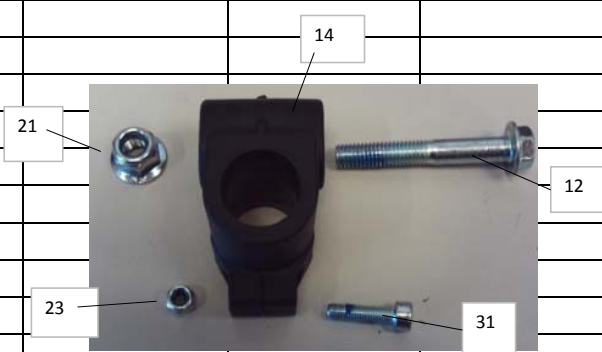
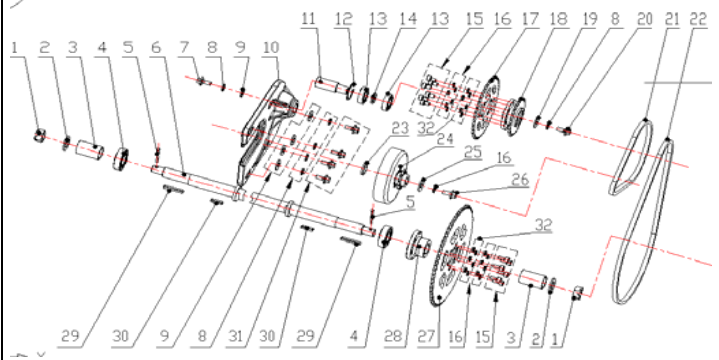


No.	OLD MM Part #	NEW MM P/N	Specification	DESCRIPTION
1	10425	10-10029-00		Bar, Front Bumper Red
		10-10030-00		Bar, Front Bumper Black
2	10426	90-10101-00	M8×35	Bolt, Flanged Zinc, (M8 x 35)
3	10427	90-10044-00	M8	Nut, Flanged Locking Zinc M8
4	10428	10-10031-00		Floorboard, Center Diamond Plate
5	10429	90-10102-00	M6×12	Bolt, Button Head Socket Zinc M6 x 12
6	10430	10-10032-00		Floorboard, Right Diamond Plate
7	10431	90-10103-00	M8×45	Bolt, Button Head Socket Zinc M8 x 45
8	10432	90-10104-00		Tube Connector
9	10433	10-10033-00		Rollbar, Main Red
		10-10034-00		Rollbar, Main Black
10	10434	10-10035-00		Rollbar, Support Red
		10-10036-00		Rollbar, Support Black
	11	10435	10-10037-00	
		10-10038-00		Bracket, Flag Pole Mount Black
12	10436	90-10105-00	M5×12	Bolt, Socket Head Zinc M5 x 12
	13	10437	80-10010-00	
		80-10008-00		Guard, Chain Black
		80-10009-00		Guard, Chain Realtree
14	10438	90-10121-00	M6×12	Bolt, Flanged Zinc (M6 x 12)
15	10439	10-10039-00		Frame, Go Kart Red
		10-10040-00		Frame, Go Kart Black
16	10440	90-10130-00	M6	Nut, Flanged Locking Zinc M6
17	10441	10-10041-00		Floorboard, Left Diamond Plate
18	10442	90-10123-00	M8×55	Bolt, Button Head Socket (M8 x 55)
19		85-10005-00		Plate, VIN Assembled in USA for Canada
		85-10004-00		Plate, PIN Assembled USA for USA
20	10443	90-10012-00	3X10	Rivet, 5/32
				Completed 1-31-17

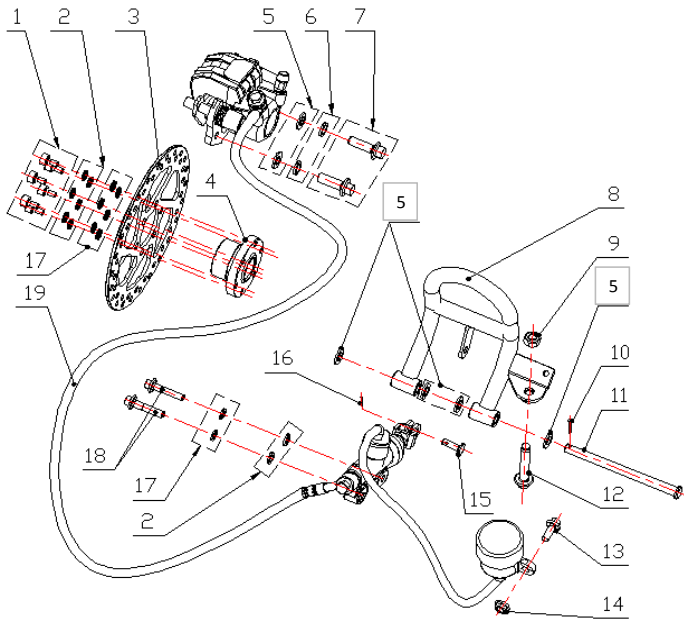


No.	OLD MM Part #	NEW MM P/N	Specification	DESCRIPTION
1	10444	90-10053-00	M14×1.5	Nut, Castle Zinc M14 x 1.5
2	10445	90-10054-00	φ15.5×φ28×2.0	Washer, Flat Zinc M14 (28mm OD x 2.0mm Thick)
3	10446	90-10055-00	3.2×32	Cotter Pin (3.2 x 32)
4	10447	60-10009-00		Axle, (Spindle), Front Right
5	10448	90-10056-00	M8×30	Bolt, Socket Head Zinc M8 x 30
6	10449	90-10057-00	φ12×φ9-34.5	Spacer, Zinc 9.5 x 12.5 x 30
7	10450	90-10058-00	608ZZ	Bearing, Ball (608ZZ)
8			φ8.4×φ15×1.6	N/A
9	10451	80-10027-00		Cap, Dust
10	10452	90-10059-00	M8×75	Hex Flange Screw
11	10453	90-10060-00	φ25×φ21-8	Spacer-steering shaft
12	10454	90-10061-00	M8×55	Bolt, Flanged Zinc M8 x 55
13	10455	90-10063-00	M6×35	Bolt, Zinc M6 x 35
14	10456	60-10008-00		Bracket, Plastic Steering Shaft Mount MM-K80
15	10457	90-10062-00	φ25×φ21-20	Spacer, Steering Shaft Upper
16	10458	60-10011-00		Wheel, Steering
17	10459	90-10064-00	6	Washer, Split Zinc M6
18	10460	90-10065-00	M6×12	Bolt, Zinc M6 x 12
19	10461	80-10026-00		Cap, Steering Wheel Center
20	10462	60-10012-00		Shaft, Steering Wheel Mount
21	10463	90-10044-00	M8	Nut, Locking Flanged Zinc M8
22	10464	60-10013-00		Shaft, Steering
23	10465	90-10066-00	M5	Nut, Locking Zinc M5
24	10466	90-10130-00	M6	Nut, Locking Flanged Zinc M6
25	10467	60-10014-00		Axle, (Spindle) Front Left
26	10468	90-10051-00	M8 X RH	Heim Joint, Tie Rod End M8 RH Thread
27	10469	90-10069-00	M8 X RH	Nut, Zinc RH Thread M8
28	10470	60-10015-00		Tie Rod, Steering
29	10471	90-10070-00	M8 X LH	Nut, Zinc LH Thread M8
30	10472	90-10071-00	M8 X LH	Heim Joint, Tie Rod End M8 LH Thread
31		90-10067-00		Bolt, Socket Head Zinc M5 x 19
				Completed 1-30-17

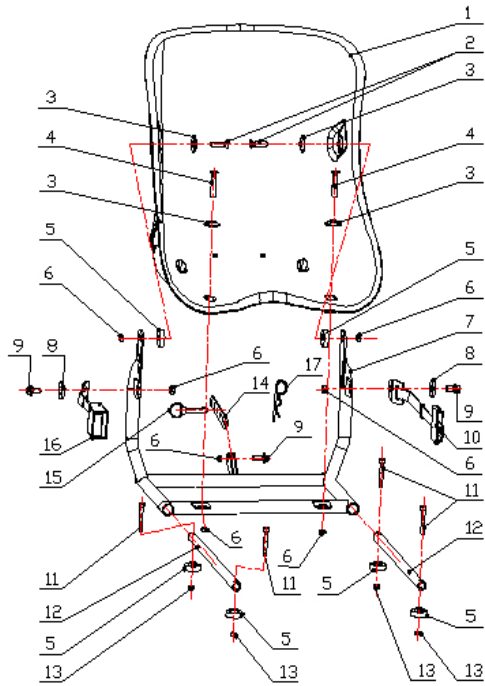




No.	OLD MM Part #	NEW MM P/N	Specification	DESCRIPTION
1	10480	90-10053-00	M14×1.5	Nut, Castle Zinc M14
2	10481	90-10054-00	φ15.5×φ28×2.5	Washer, Flat Zinc M14 (28mm OD x 2.0mm Thick)
3	10482	90-10076-00	φ21×φ25×42	Spacer, Zinc 21 x 25 x 44
4	10483	90-10077-00	6004	Bearing, Ball (6004)
5	10484	90-10055-00	3.2×32	Cotter Pin (3.2 x 32)
6	10485	40-10017-00		Axle, Rear Zinc Go Kart
7	10486	90-10078-00	M8×20	Bolt, Flanged Zinc M8 x 20
8	10487	90-10079-00	8	Washer, Split Zinc M8
9	10488	90-10080-00	φ8.4×φ15×1.6	Washer, Flat Zinc M8
10	10489	20-10038-00		Bracket, Jackshaft Mount "C Plate"
11	10490	40-10010-00		Axle, Sprocket Mounting
12	10491	90-10081-00	32	Circlip, Outer (32)
13	10492	90-10083-00	6002	Bearing, Ball (6002)
14	10493	90-10082-00	φ15.5×φ20×2.5	Spacer, Zinc 15 x 20 x 2.5
15	10494	90-10084-00	M6×16	Bolt, Zinc M6 x 16
16	10495	90-10085-00	6	Washer, Flat Zinc M6
17	10496	40-10007-00		Sprocket, Driven I #35 40T
18	10497	40-10008-00		Sprocket, Driven II #35 24T
19	10498	90-10072-00		Washer, Fender Zinc M8 x 15 x 1.6
20	10499	90-10045-00	M8×16	Bolt, Flanged Zinc M8 x 16
21	10500	40-10005-00		Chain, Drive #35 50L
22	10501	40-10006-00		Chain, Drive #35 82L
23	10502	90-10037-00	φ22×φ16×3	Spacer, Engine Output Shaft 15 x 22 x 5
24	10503	40-10004-00		Clutch Assy., Centifugal w/Drive Sprocket 11T #35
25	10504	90-10036-00	φ6.4×φ28×1.6	Washer, Fender Zinc M6
26	10505	90-10035-00	M6×16	Bolt, Flanged Zinc M6 x 16
27	10506	40-10009-00		Sprocket, Driven #35 65T
28	10507	40-10011-00		Hub, Sprocket Mount
29	10508	90-10089-00	A5×45	Key (A5 x 45)
30	10509	90-10090-00	A5×28	Key (A5 x 25)
31	10510	90-10096-00	M8×25	Bolt, Flanged Zinc M8 x 25
31a		90-10194-00		Bolt, Socket Head Zinc M8 x 25
32		90-10064-00		Washer, Split Zinc M6
				Completed 1 30 17



No.	OLD MM Part #	NEW MM P/N	Specification	DESCRIPTION
1	10522	90-10084-00	M6×16	Bolt, Zinc M6 x 16
2	10523	90-10085-00	6	Washer, Flat Zinc M6
3	10524	50-10003-00		Disc, Brake Go Kart
4	10525	50-10004-00		Hub, Disc Brake Mount
5	10526	90-10080-00	φ8.4×φ15×1.6	Washer, Flat Zinc M8
6	10527	90-10073-00	8	Washer, Split Zinc M8
7	10528	90-10096-00	M8×25	Bolt, Flanged Zinc M8 x 25
8	10529	60-10028-00		Pedal, Brake (Red)
9	10530	90-10069-00	M8	Nut, Zinc RH M8
10	10531	90-10094-00	2.5×20	Pin, Cotter (2.5 x 20)
11	10532	90-10095-00		Pin, Clevis
12	10533	90-10092-00	M8×45	Bolt, Flanged Zinc M8 x 45
13	10534	90-10035-00	M6×16	Bolt, Flanged Zinc M6 x 16
14	10535	90-10130-00	M6	Nut, Locking Flanged Zinc M6
15	10536	90-10046-00	6×14	Pin, Clevis (6 x 14)
16	10537	90-10049-00	1.6×16	Pin, Cotter (1.6 x 16)
17	10538	90-10064-00	φ6.4×φ11×1.6	Washer, Split Zinc M6
18	10539	90-10050-00	M6×30	Bolt, Flanged Zinc M6 x 30
19	10540	50-10002-00		Brake Assy., w/Caliper, & Pads, Hose, Master Cylinder & Res.
				Completed 1-30-17



No.	OLD MM Part #	NEW MM P/N	Specification	DESCRIPTION
1	10543	80-10001-00		Seat, Go Kart
2	10544	90-10052-00	M8x35	Bolt, Special Large Countersunk Socket Head Black M8 x 35
3	10545	90-10068-00		Seat mounting-aluminium
4	10546	90-10086-00	M8x45	Bolt, Special Large Countersunk Socket Head Black M8 x 45
5	10547	90-10087-00		Damper, Rubber
6	10548	90-10044-00	M8	Nut, Locking Flanged Zinc M8
7	10549	10-10007-00		Frame, Seat Support Red
		10-10042-00		Frame, Seat Support Black
8	10550	90-10080-00	φ8.4×φ15×1.6	Washer, Flat Zinc M8
9	10551	90-10078-00	M8x20	Hex Flange Screws
10	10552	80-10020-00		Belt, Safety w/Male Inserting Plate
11	10553	90-10097-00	M6x40	Bolt, Socket Head Zinc M6 x 40
12	10554	10-10008-00		Rail, Seat Slide Chrome
13	10555	90-10130-00	M6	Nut, Locking Flanged Zinc M6
14	10556	10-10009-00		Plate, Seat Position Red
		10-10043-00		Plate, Seat Position Black
15	10557	90-10098-00		Pin, Clevice w/"D" Ring
16	10558	80-10021-00		Belt, Safety w/Female Buckle
17	10559	90-10099-00		Pin, Reusable Cotter "R" Clip
				Completed 1-31-17



No.	OLD MM Part #	NEW MM P/N	Specification	DESCRIPTION
1				Warning Label
2				
3				
4				
5				
6				
7				
8				
9				
10				
11				
12				
13				
14				Front Shipping Mark
15				
16		80-10132-00		Decal, Chain Guard Red
17		80-10133-00		Decal, Chain Guard Black
18		96-10004-00		Hang Tag Set, MM-K80 2016, (UPC, Add Oil, EPA)
19				Included in #18
20		85-10008-00		Decal, EngineEPA
21				Included in #18
22		85-10007-00		Decal Set Warning Labels, (#1 to 13)
23				
24				Completed 1-31-17
25				

Page 12	No.	OLD MM Part #	NEW MM P/N	Specification	DESCRIPTION	
	1		95-10051-00		Carton, Roll-On All Corrugated MM-K80 BR	
			95-10064-00		Carton, Roll-On All Corrugated MM-K80 RT	
	2					
	3					
	4					
	5					
	6					
	7			85-10000-00		Decal, VIN/PIN UPC
	8					
	9					
	10					
	11					
	12					
	13					
	14					
	15					
	16					
	17					
	18			96-10000-00		COO
	19			96-10003-00		Manual, Owner's MM-K80 2016
	20			95-10003-00		Bag, Zip Close 8" x 10"
	21					
	22					Completed 1-30-17
	23					