



# MM-B80/105 ASSEMBLY INSTRUCTIONS

READ ALL OF THE INSTRUCTIONS BEFORE REMOVING BIKE FROM THE STEEL SHIPPING CRATE AND ASSEMBLING THE BIKE. MAKE SURE YOU UNDERSTAND THE INSTRUCTIONS BEFORE YOU BEGIN.

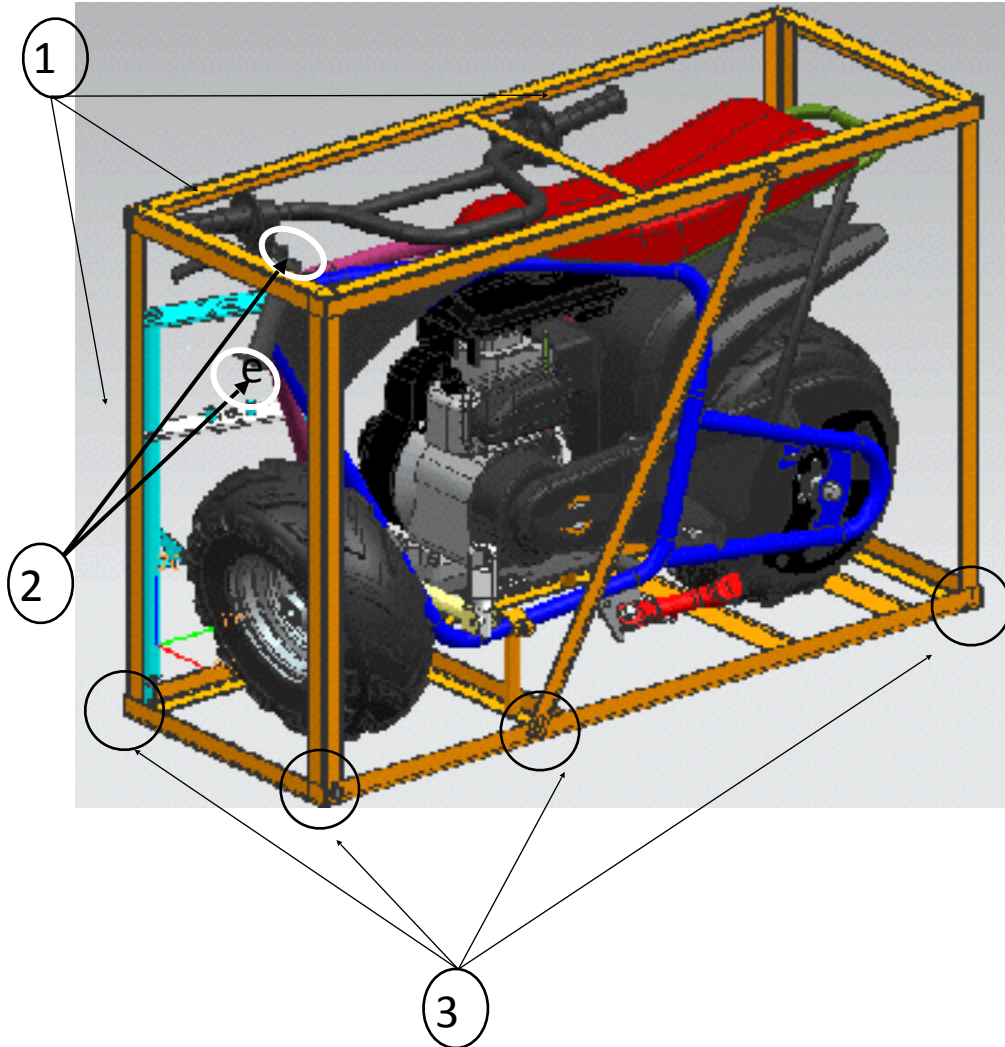
For instructional videos visit: [megamotousa.com](http://megamotousa.com)



# MM-B80/105 ASSEMBLY INSTRUCTIONS

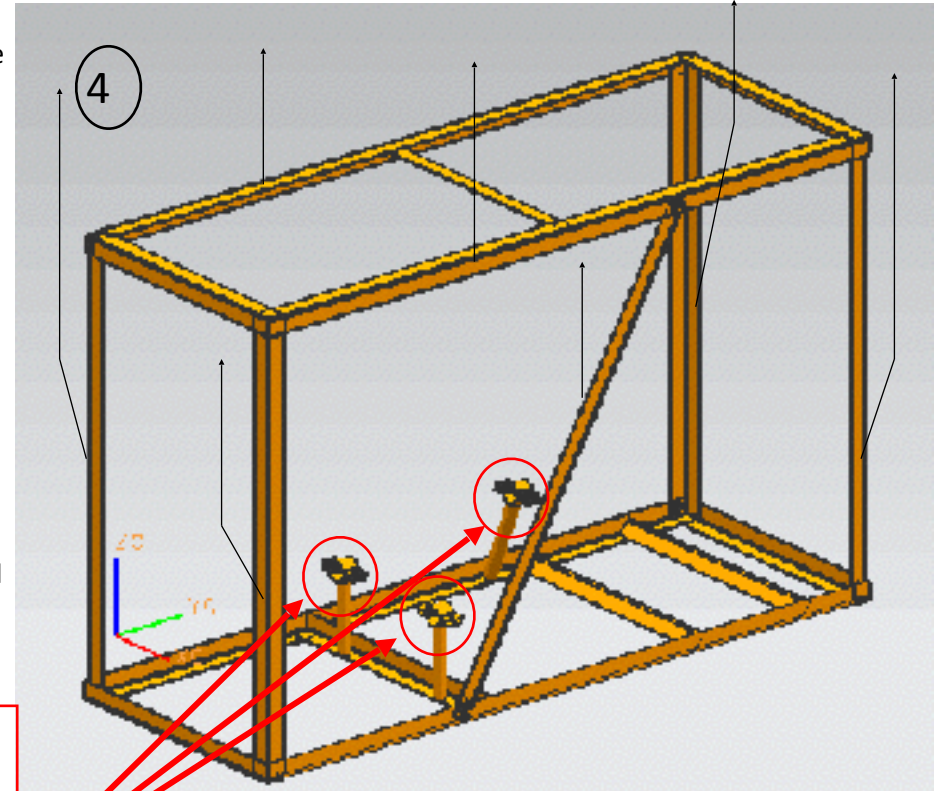
UNPACKING

**WEAR PROTECTIVE GLOVES WHEN HANDLING THE STEEL CRATE**



After you have removed bike in the steel crate from the cardboard box:

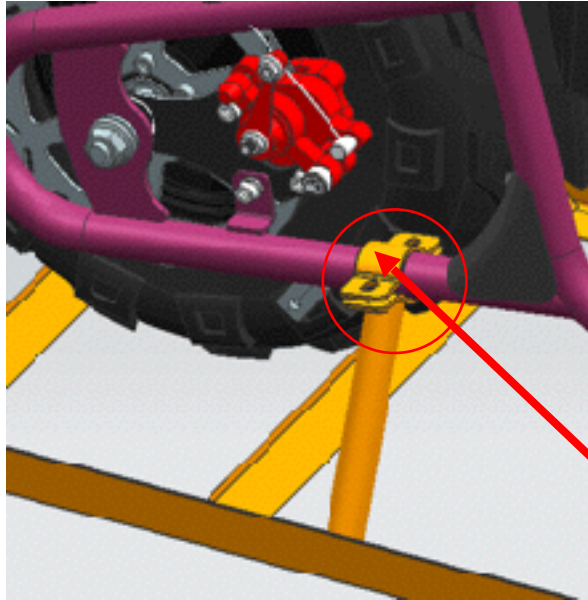
- 1) Cut the ties that secure the handlebar and front fork to the steel packing frame
- 2) Remove the bolt and nut that secures the mini bike steering head to the top steel shipping crate
- 3) Loosen and remove the 6 bolts and nuts that secure the upper steel crate and vertical supports to the crate base. **NOTE:** Do not loosen the 3 supports on the bottom of the steel shipping crate that attach to the mini bike frame.
- 4) Lift off the upper steel crate with the vertical supports and discard.





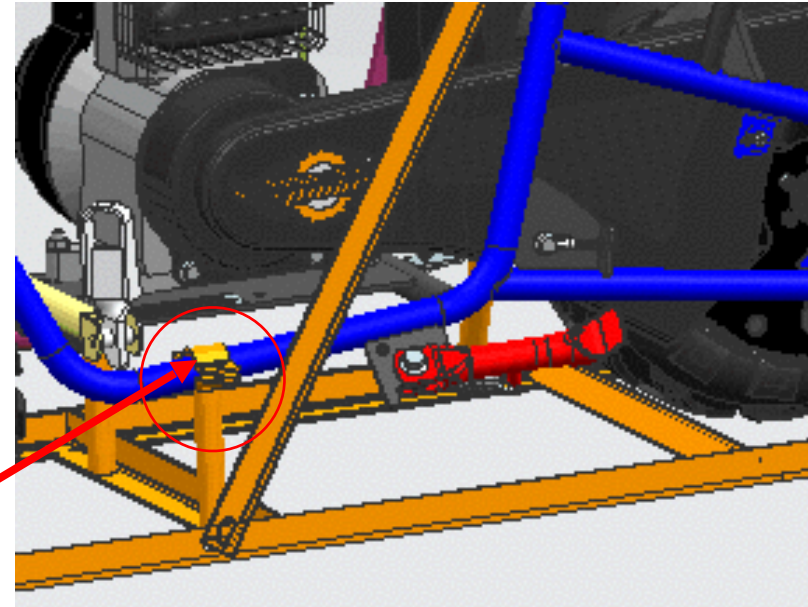
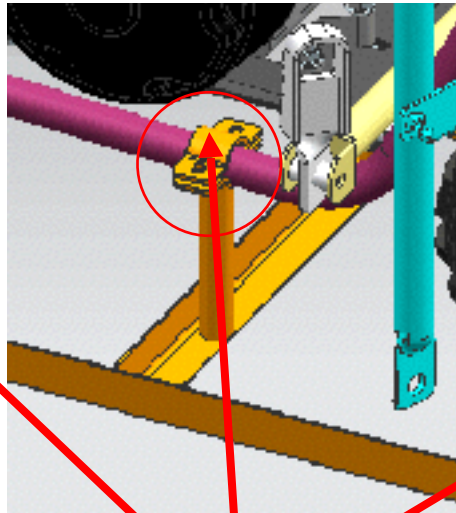
# MM-B80/105 ASSEMBLY INSTRUCTIONS

## UNPACKING



RIGHT SIDE OF BIKE NEAR REAR WHEEL

RIGHT SIDE OF BIKE NEAR THE FOOTPEG



LEFT SIDE OF BIKE NEAR THE FOOTPEG

### **NOTE:**

LEAVING THE BIKE ATTACHED TO THESE THREE BRACKETS WILL MAKE THE FRONT FORK AND FRONT WHEEL ASSEMBLY MUCH EASIER. WHEN ASSEMBLY IS COMPLETE AND OIL HAS BEEN ADDED TO THE ENGINE, THEN YOU CAN UNBOLT THE THREE BRACKETS AND REMOVE THE SHIPPING CRATE BASE AND DISCARD IT.

# MM-B80/105 ASSEMBLY INSTRUCTIONS



## PARTS:

Oil is not provided with the mini bike. 12oz of 10W30 Motor Oil is needed.

### FRONT FORK AND HANDLEBAR HARDWARE



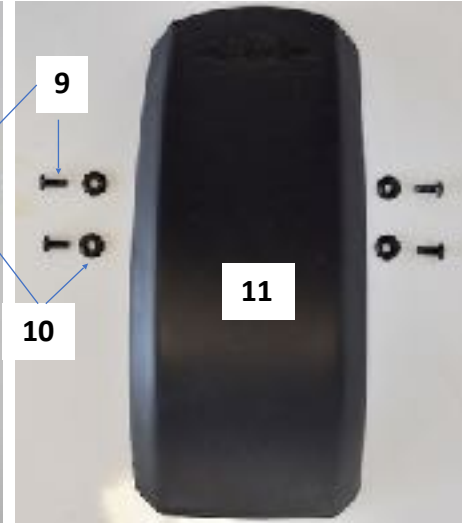
- 1) STEERING PIVOT BOLT (1PC)
- 2) STEERING PIVOT NUT (1PC)
- 3) HANDLEBAR CLAMP BOLTS (4PCS)
- 4) UPPER HANDLEBAR CLAMPS (2PCS)
- 5) LOWER HANDLEBAR CLAMPS (2PCS)
- 6) HANDLEBAR CLAMP NUTS (4PCS)

### NUMBER PLATE AND RIGHT GUSSET



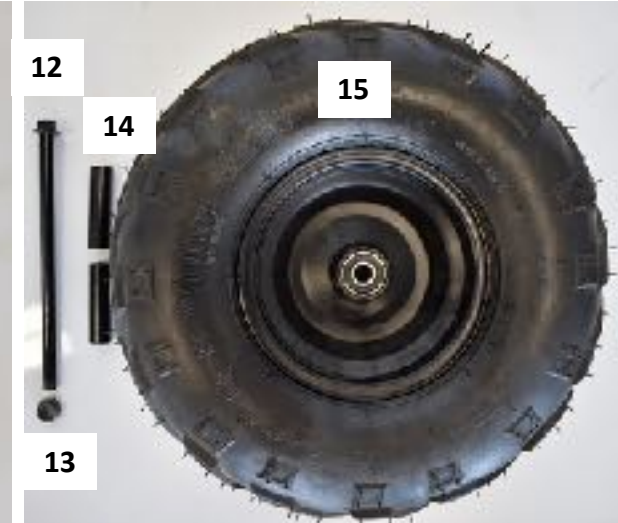
- 7) FRONT NUMBER PLATE (1PC)
- 8) RIGHT GUSSET PLATE (1PC)

### FRONT FENDER



- 9) SCREWS (M6) (6PCS)
- 10) PLASTIC WASHERS (6PCS)
- 11) FRONT FENDER

### FRONT WHEEL



- 12) AXLE BOLT (1PC)
- 13) AXLE NUT (1PC)
- 14) AXLE SPACER (2PCS)
- 15) FRONT WHEEL/TIRE ASSEMBLY (1PC)

NOTE: It is advisable to gather the parts as shown so they are easy to locate during assembly.

**Wear protective gloves and eyewear whenever working on your mini bike.**

# MM-B80/105 ASSEMBLY INSTRUCTIONS

## FRONT FORK



1) With the upper part of the steel shipping crate removed, the forks and handlebar are resting on the right side of the bike. The bike should still be attached to the base of the shipping crate.

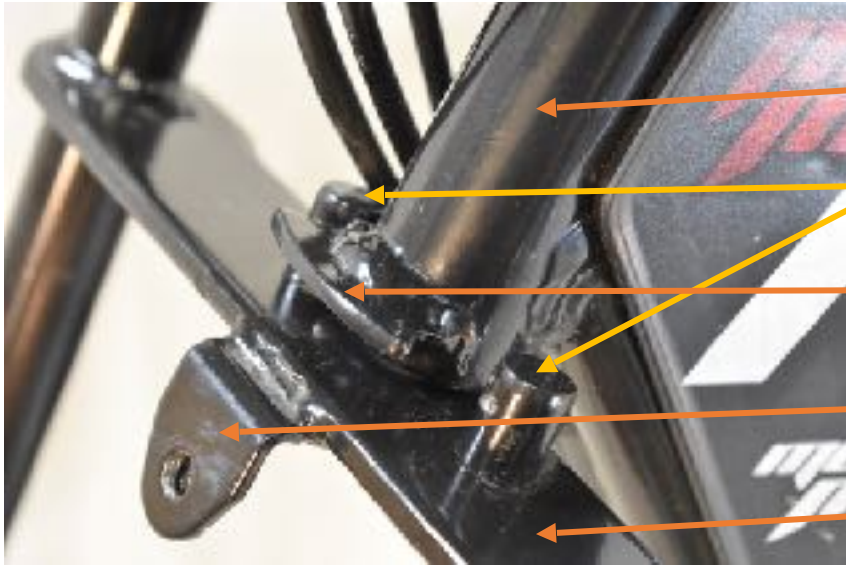


2) Without twisting the wires and cables, lift up the handlebar and front fork placing the handlebar on the top of the bike frame and resting the fork on the steering head as shown in the photo. Rest the handlebar on the frame with the handles toward the front of the bike, the brake lever should be facing down. Make sure the wires and cables are not twisted.

# MM-B80/105 ASSEMBLY INSTRUCTIONS



## FRONT FORK



Steering Head

Steering stop pins

Steering stop

Number Plate Tab

Lower Fork Plate



3) Make sure the number plate tabs on the forks are facing forward and slide the lower fork plate under the steering head. Make sure the steering stop pins are behind the steering stop as shown.

# MM-B80/105 ASSEMBLY INSTRUCTIONS



## FRONT FORK



4) While keeping the steering stop pins behind the steering stop, move the upper fork plate back and over the steering head.

5) Line up the hole in the upper fork plate with the hole in the steering head.



6) Insert the steering bolt through the top fork plate and into the steering head.

# MM-B80/105 ASSEMBLY INSTRUCTIONS

## FRONT FORK



7) Push the steering bolt all the way through the steering head and the lower fork plate



8) Install the nut on the steering bolt as shown in the photo.



9) Tighten the nut securely, (39N.m/ 20ft.lbs.)



# MM-B80/105 ASSEMBLY INSTRUCTIONS

## FRONT FORK



**NOTE:** Make sure the wires and cables do not pinch between the frame and the lower fork plate or the steering stop pin and the frame when the handlebar is turned to the right, (as seated on the bike). If they do, simply twist the cable tie, wires, and cables toward the rear, away from the lower fork plate.

# MM-B80/105 ASSEMBLY INSTRUCTIONS

## HANDLEBAR

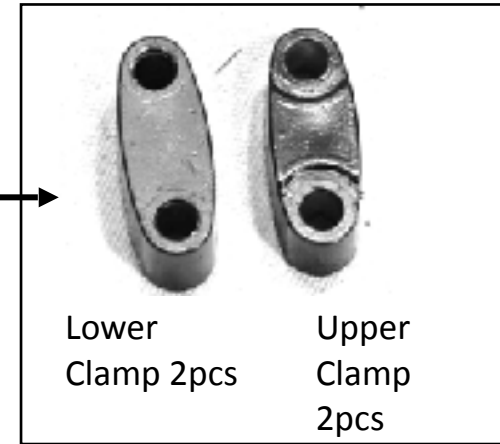


10



10) Rotate the lower portion of the handlebar forward and under the grips and lever portion of the handlebar and rest the handlebar on the top fork plate and frame as shown. The brake lever should be facing up and the cables should not be twisted.

11) Locate the 2 upper and 2 lower handlebar clamps. →



12



12) Place one lower handlebar clamp under the handlebar as shown and align the holes in the clamp with the holes in the upper fork plate.

# MM-B80/105 ASSEMBLY INSTRUCTIONS

## HANDLEBAR



13



13) Place the upper handlebar clamp as shown.

14



14) Insert the 2 handlebar clamp bolts through the holes in the upper and lower clamps and the holes in the upper fork plate as shown.

# MM-B80/105 ASSEMBLY INSTRUCTIONS

## HANDLEBAR



15



15) Install the nuts on the handlebar clamp bolts as shown. Do Not tighten.

16



16) Install the clamps, bolts, and nuts on the other side (as in steps 12 through 15).

# MM-B80/105 ASSEMBLY INSTRUCTIONS



## HANDLEBAR

17



17) Center the handlebar on the two clamps.

18



18) Angle the handlebar to align with the angle of the forks. This is a good initial setting, you can adjust the handlebars at a different angle if you prefer.

19



19) Tighten the handlebar clamps so that the space between the upper and lower clamps at the front of the clamps is equal to the space at the back of the clamps. Tighten securely (26N.m/19ft.lbs.)

# MM-B80/105 ASSEMBLY INSTRUCTIONS



## FRONT FENDER



20) With the Mega Moto logo facing forward, place the front fender over the mounting brackets on the front forks



21) Align the holes in the fender with the threaded holes in the mounting brackets.



22) Insert the Philips head screw through the plastic washer, the fender and into the threaded hole of the mounting bracket and hand tighten. Have all 4 screws and washers installed by hand before tightening with a screwdriver.

# MM-B80/105 ASSEMBLY INSTRUCTIONS

## FRONT WHEEL



23) Insert the front axle bolt through the right fork, (as seated on the bike), so that only an inch or 2 of the bolt is through.



24) Place 1 axle spacer on the bolt, position the wheel between the forks with the tread as shown, and insert the axle bolt through the wheel.



25) Push the axle bolt through the other side of the wheel so that only about an inch of it extends past the wheel bearing.



Axle spacers

# MM-B80/105 ASSEMBLY INSTRUCTIONS

## FRONT WHEEL



26



26) Place the second axle spacer on the axle where it extends from the wheel.

27



27) Align the spacer and the hole in the fork and push the axle bolt all the way through.

28



28) Install the nut on the axle and tighten securely. (54N.m/40ft.lbs.)



# MM-B80/105 ASSEMBLY INSTRUCTIONS

## FRONT NUMBER PLATE AND GUSSET COVER



29) Place the number plate over the number plate tabs on the front fork, align the holes in the number plate with the threaded holes of the tabs and insert a screw with a plastic washer through the top hole and hand tighten. Install the screw and washer in the lower hole. Tighten the upper and lower screws with a screwdriver



30) Align the tabs on the right side gusset cover with the rubber mounting holes in the frame.



31) Press the gusset cover tabs into the rubber mounting holes.

**NOTE:** Keep the bike secured to the steel crate base when you proceed to the next step of adding oil to the engine

# MM-B80/105 ASSEMBLY INSTRUCTIONS

## ADD OIL

Oil is not provided with the mini bike. 12oz of 10W30 Motor Oil is needed.



**32) BEFORE YOU START THE BIKE YOU MUST ADD 12oz. OF 10W30 MOTOR OIL TO THE ENGINE.**

The bike should be on the steel shipping crate base so that it is vertical. Add oil into the oil filler neck on the front of the engine.

**NOTE:** Whenever checking the engine oil level, the bike should be on level ground and held vertical on its two wheels, not resting on the side stand as the proper oil level will not be indicated on the dipstick.



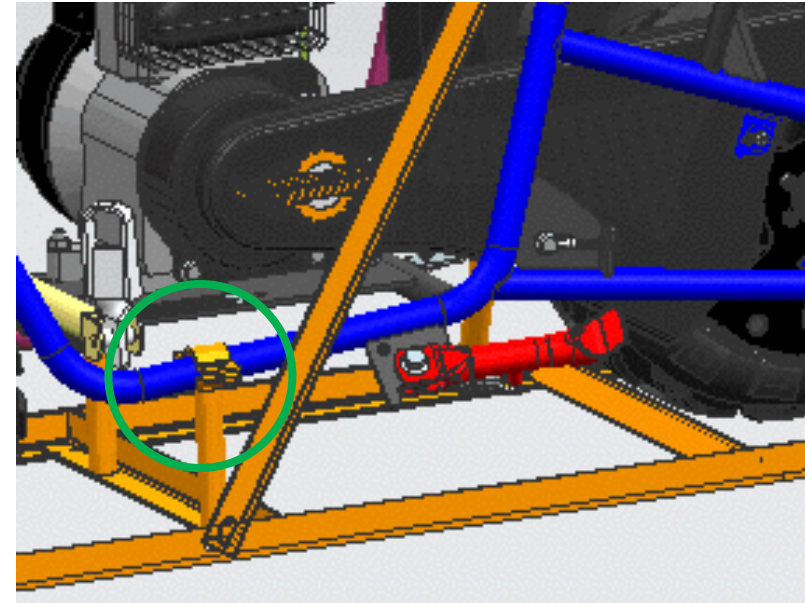
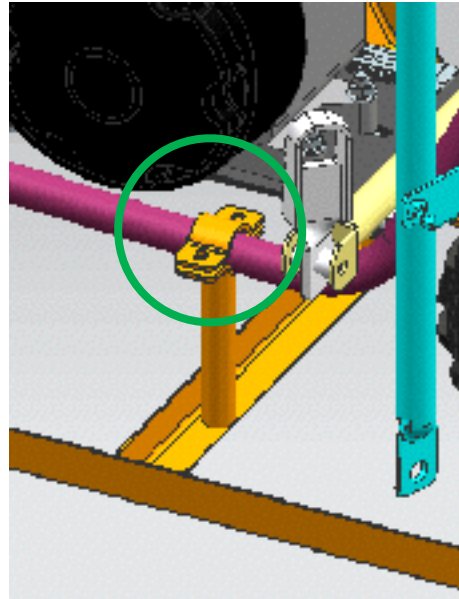
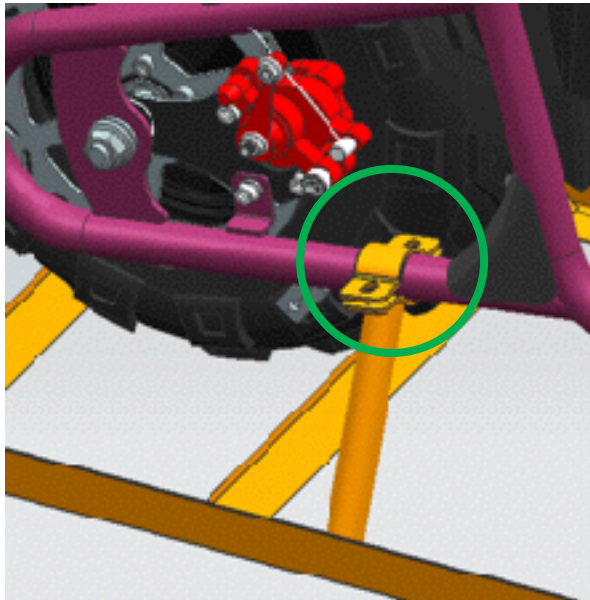
33) After adding oil, place the dipstick squarely in the filler hole but do not screw it in. Pull out the dipstick and see where the oil level is on the dipstick. Add as needed. Replace the dipstick and tighten .



Proper Oil Level

# MM-B80/105 ASSEMBLY INSTRUCTIONS

ADD OIL



**WEAR PROTECTIVE GLOVES**

34) Unbolt the 3 clamps that secure the mini bike to the steel crate base, roll the bike off the base and discard the base.

# MM-B80/105 ASSEMBLY INSTRUCTIONS

## STARTING THE MINIBIKE

**BE SURE TO OIL THE CENTRIFUGAL CLUTCH BEFORE AND AFTER EACH RIDE AS INSTRUCTED IN YOUR OWNER'S MANUAL.**



35

35) After adding fuel to the fuel tank, push the fuel lever forward to start fuel flow into the carburetor



37

37) Press small red button on the Engine Stop Switch so that the small button is pushed in and the larger red button sticks out. This is the "RUN" position.



36

36) Move the choke lever to the right, "START" position.



38

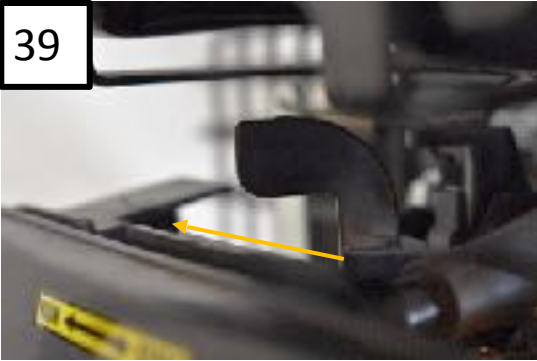
38) Let the bike sit for a minute to give time for the fuel to fill the carburetor, then pull firmly on the pull starter to start the bike.

# MM-B80/105 ASSEMBLY INSTRUCTIONS



## STARTING THE MINIBIKE

39



39) After the bike has started and has had a minute or two to warm up, push the choke lever to the left, "RUN" position

**ALWAYS WEAR PROTECTIVE GEAR SUCH AS A HELMET, GLOVES, BOOTS, LONG SLEEVE SHIRT, AND PANTS WHEN RIDING.**

40



40) To turn off the bike push the large red button on the Engine Stop Switch.

41



41) When you are finished riding, turn the Fuel Lever to the "OFF" position.

**BE SURE TO OIL THE CENTRIFUGAL CLUTCH BEFORE AND AFTER EACH RIDE AS INSTRUCTED IN YOUR OWNER'S MANUAL.**

For instructional videos visit: [megamotousa.com](http://megamotousa.com)