



pro-line



# VACUUM SEALER

DOMESTIC



**VS-D3**  
**User Manual**



## **Congratulations on your purchase of a Pro-line Domestic Vacuum Sealer.**

---

**Note:** Please read through the instructions carefully before using or installing the product and ensure that the manual is kept in a safe place for future reference.

**The system must be properly installed and located in accordance with the installation instructions before it is used.**

**During the set up of this product if you have any questions / comments / issues DO NOT RETURN TO STORE.  
FOR SERVICE AND TECHNICAL ADVICE VISIT [WWW.PROLINEAUSTRALIA.COM.AU/CONTACT](http://WWW.PROLINEAUSTRALIA.COM.AU/CONTACT)**

---

Pro-line Australia  
PO Box 4187  
Norwood South LPO  
South Australia 5067

Email: [info@prolineaustralia.com.au](mailto:info@prolineaustralia.com.au)

Web: [www.prolineaustralia.com.au](http://www.prolineaustralia.com.au)

Find us

 [/prolineaustralia](https://www.facebook.com/prolineaustralia)

 [/proline\\_australia](https://www.instagram.com/proline_australia)



Electrical Requirements:

Australia / New Zealand 220-240V 50Hz

Due to manufacturing alterations product may vary slightly from that pictured.

## OPERATION CONDITIONS & SAFETY PRECAUTIONS

- All components need to be installed in accordance with the user manual instructions for correct performance of unit.

### READ ALL INSTRUCTIONS CAREFULLY BEFORE OPERATION OF THE UNIT

- This appliance is not intended for use by persons (including children) with reduced physical, sensory or mental capabilities, or lack of experience and knowledge, unless they have been given supervision or instruction concerning use of the appliance by a person responsible for their safety.
- Children should be supervised to ensure that they do not play with the appliance.
- Remove and safely discard any packaging material and promotional labels before using the Vacuum Sealer for the first time.
- Do not operate appliance with a damaged cord or plug or after the appliance malfunctions, or has been damaged in any manner.
- If the cord is damaged, it must be replaced by the manufacturer, its service agent or similarly qualified persons in order to avoid a hazard.
- Do not use appliance for other than intended use.
- Do not pull or carry the Vacuum Sealer by the cord.
- This appliance should be used in conjunction with a safety switch.
- To protect against risk of fire, electric shock and personal injury, do not immerse cord, plugs, or appliance in water or other liquid.
- Fully unwind the power cord before use. Connect only to 220V/240V power outlet.
- Position the appliance at a minimum distance of 20cm away from walls, curtains and other heat or steam sensitive materials and provide adequate space above and on all sides for air circulation.
- Switch unit off and unplug from wall outlet when not in use and before cleaning.
- Do not use attachments not recommended or sold by the manufacturer as it may lead to fire, electric shock or injury.
- Operate unit on a stable level flat surface, keep away from moving parts. Ensure surface is clean and free from water etc.
- Do not place the unit near the edge of a bench or table during operation.
- Do not place the unit near an oven, heater, direct sunlight or any other heat source.
- If an extension cord is used with this unit, the extension cord must have a rating equal to the rating of this appliance.



- When disconnecting cord, to avoid injury, unplug by grasping the plug and not the cord and ensure your hands are dry.
- Appliance does not require or use any lubricants, such as lubricating oils or water.
- Do not use outdoors or on wet surfaces.
- Do not use appliance for other than intended purpose.
- Clean the Vacuum Sealer Lower and Upper Gaskets, Vacuum Chamber regularly. Also ensure these parts are cleaned immediately after handling raw meat, poultry or fish.
- Do not reuse the Vacuum Sealer bags after using with raw meat, fish or poultry or after the bag has been heated, i.e. microwave or simmer.
- Keep the Vacuum Sealer bags away from babies and children to eliminate a choking and suffocation hazard.
- Do not leave the Vacuum Sealer unattended when in use.
- Keep the appliance clean. Follow the cleaning instructions provided in this Instruction book.
- Before cleaning, always turn the appliance OFF, switch off at the power outlet, unplug at the power outlet and remove the power cord, if detachable, from the appliance and allow all parts to cool.
- After use of the Food Vacuum, leave machine cover open for unit to cool down before closing cover.

- Use only Vacuum Sealer bags/rolls or specially designed vacuum bags with this appliance.

**IMPORTANT: Do not store or leave appliance for extended periods with the cover closed and locked into position. It will cause the gaskets and sealing profile to become compressed and compromise the sealing ability of the unit. To store the unit start with the cover in the open position, pull the cover lock handle down and then close the cover. This will prevent the cover from locking into place and enable it to be stored.**

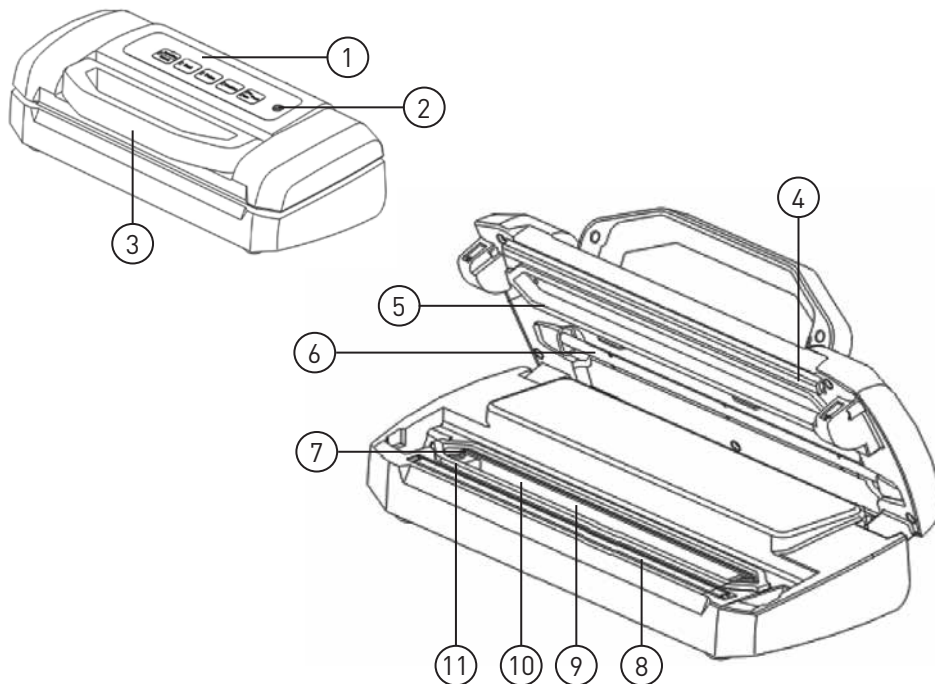
**WARNING: BURN HAZARD.** Sealing profile will be hot after use, allow profile to cool before touching.

Do not wash canister or marinate bowl lids. Wipe it clean with a soft damp cloth.

System Specifications	Vac Pro Domestic
Model Code	VS-D3
Product Dimensions	402 (L) X 180 (W) X 101 (H) mm
Product Weight	1.65KG
Power	220-240V ~ 50Hz, 110W
Noise	<72 dB
Max vacuum pressure	-0.80 Bar Max.
Air extraction volume	12 Litres / MIN

## VACUUM SEALER PARTS IDENTIFICATION

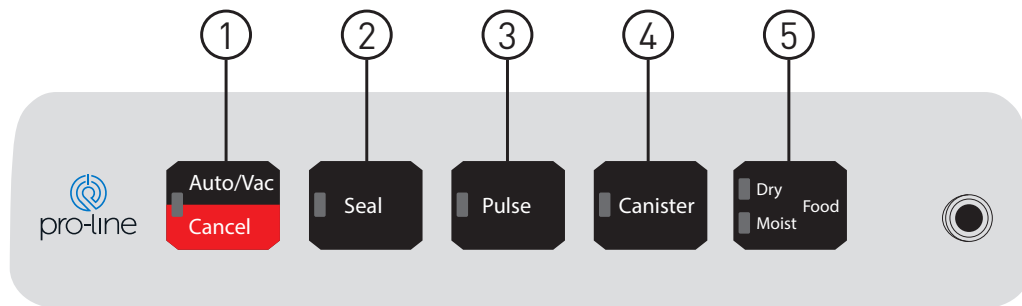
1. Control Panel
2. Vacuum Seal Hose Port
3. Cover Lock Handle
4. Sealing Strip
5. Upper Gasket
6. Vacuum Seal Hose Holder
7. Air Intake
8. Sealing Profile\*
9. Vacuum Chamber
10. Removeable Drip Tray  
(Inside Vacuum Chamber)
11. Lower Gasket



\*Do not remove Teflon Tape  
from Sealing Profile

## CONTROL PANEL

1. Vacuum & Seal / Cancel
2. Manual Seal
3. Pulse
4. Canister
5. Sealing Time



## CONTROL PANEL DESCRIPTION

### Ref Description

---

#### 1. Vacuum & Seal / Cancel button

In stand-by mode, pressing the Vac & Seal button starts the automatic vacuum operation then automatically seals the bag when vacuum is complete

Pressing the Cancel button stops the vacuuming or sealing process

#### 2. Manual Seal

For sealing the open end of a bag without vacuuming - useful for making a bag from a roll

When the Vac & Seal function is in operation, this button stops the vacuum pump and immediately starts to seal the bag

#### 3. Pulse

Press and hold and the unit will start vacuuming; release the button and the vacuuming stops.

Used when better control of the vacuum process is required to prevent the crushing of delicate foods and avoid very wet items drawing moisture into the machine

### Ref Description

---

#### 4. Canister

To vacuum canisters. See 'Storing Food in Canisters' section

#### 5. Sealing Time

Dry: For dry items without moisture - shorter sealing time

Moist: For moist items - longer sealing time

Default setting is Dry

### VS-283 Proline Vacuum Rolls

VS-283 comes in a 3 pack  
3 x 28cm wide and 5.4m long



Proline Vacuum Rolls and Bags lock in the freshness and are BPA Free, Boil, Freezer and Microwave Safe.

These Premium Quality Rolls and Bags use dual cross venting technology to provide you with superior consistent results.

Head to our website to view our full range of  
Vacuum Sealer accessories at:

[www.prolineaustralia.com.au/shop](http://www.prolineaustralia.com.au/shop)

### MAKING A BAG FROM A VACUUM ROLL

1. Unroll the Roll to the desired length.

**Note:** You will require at least 5cms of bag material more than the item as this extra part will form the seal.

2. Use the bag cutter or a pair of scissors to cut a bag.

3. Put one end of the bag on top of the Sealing Profile, but not into the Vacuum Chamber.

4. Close and pull the Cover Lock Handle down to lock the lid.

5. Press the "Seal" button to start sealing the bag. The indicator light will confirm the operation.

6. The sealing is complete when the indicator light is off. Lift the handle to open the cover and take the bag out of the machine.

**Note:** For best sealing results, do not seal one bag after the other continuously, for optimal results Seal Bag, Fill Bag, Vacuum and Seal Bag. Then Repeat ongoing.

**WARNING:** BURN HAZARD – Sealing Profile may be hot after sealing, do not touch.



## STORING FOOD IN VACUUM BAGS

1. Prepare a bag to be vacuum sealed.

**Note:** Do not overload the bag. Always allow enough space at the open end of the bag to be properly placed into the Vacuum Chamber.

2. Open the unit and insert open end of the filled bag into the Vacuum Chamber over the Sealing Profile. Ensure the Air Intake is not covered by the bag. **See Fig 1**

**Note:** Ensure no items or food is covering the Sealing Profile and make sure bag has no wrinkles or ripples that will inhibit the seal.

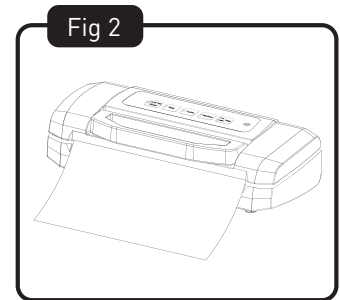
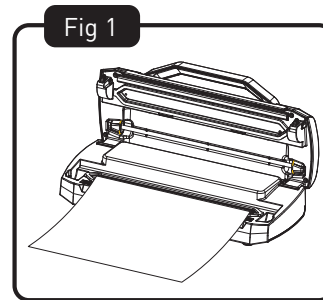
**Note:** The Vacuum Chamber draws air out of the bag and catches any liquid overflow. Lower Gasket and Vacuum Chamber should be cleaned regularly. Always ensure these parts are cleaned immediately after handling raw meat, poultry or fish.

3. Close and pull the Cover Lock Handle down to lock the lid. **See Fig 2**
4. Check the LED indicator light of the Sealing Time button to confirm that the moisture (Dry/Moist) status is set according to the type of food to be packaged.
5. Press the Vac & Seal button. The unit will start to vacuum and will seal the bag automatically. Wait for indicator lights to switch off before opening cover.

6. Refrigerate or freeze sealed food bag if needed.

7. Before repeating with a new bag and food item, always wipe away any excess liquid or food residue in the vacuum chamber.

**IMPORTANT: Do not store or leave appliance for extended periods with the cover closed and locked into position. It will cause the gaskets and sealing profile to become compressed and compromise the sealing ability of the unit. To store the unit start with the cover in the open position, pull the cover lock handle down and then close the cover. This will prevent the cover from locking into place and enable it to be stored.**



## STORING FOOD IN CANISTERS

1. Ensure canisters are clean and dry.

**Note:** Do not immerse canister lids in water, clean with a damp cloth only.

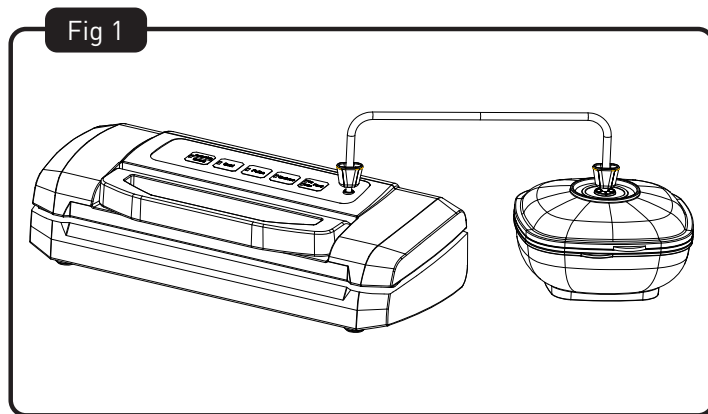
2. Fill canister with the item to be stored and secure lid onto the canister.

**Note:** Leave at least 2cm from canister cover rim, and make sure upper lid is securely on before vacuuming.

3. Turn canister lid dial arrow to SEAL.
4. Connect one end of the Vacuum Seal Hose to the Vacuum Seal Hose Port, located on the right hand side of control panel, and the other end to the Vacuum Seal Canister Lid. Ensure both connections are pushed in tightly. **See Fig 1**
5. Press the Vacuum & Seal button on the Control Panel to start vacuuming. To ensure there is no air leak between the canister lid and the canister body, use your hand to push down the canister lid for the first few seconds of the operation.. The machine will stop automatically when all air has been drawn out from canister

6. Remove Vacuum Seal Hose connection to the canister.
7. To open canister after vacuum packaging, turn the canister lid dial arrow to OPEN. Wait several seconds for the lid to be released before removing.

**Note:** Canister lids are not to be used in microwaves or in freezers.



## HINTS FOR BEST VACUUMING PERFORMANCE

1. Do not overload the bag; leave enough space at the open end of the bag so that the bag can be easily placed over the Sealing Profile and in the Vacuum Chamber.
2. To avoid overfilling, always leave at least 5cm of bag material between bag contents and top of bag. Then leave at least one additional 2cm of bag material for each time you plan to reuse bag.
3. Clean and straighten the open end of the bag before sealing. Make sure nothing is left on the open area of the bag and the bag has no wrinkles or creased lines. Foreign objects or a creased bag may cause difficulty in sealing the bag tightly.
4. Do not vacuum package objects with sharp points like fish bones and hard shells! Sharp points may penetrate and tear the bag! You may want to cover the sharp points with an additional piece of film, or use a canister instead of a bag.
5. Allow the appliance to cool down for one minute between each sealing operation.
6. Clean the Vacuum Chamber and Gaskets after each vacuuming operation.
7. When using a canister, remember to leave 2cm from canister cover rim, and make sure the upper lid is already locked before vacuuming.

**IMPORTANT: Do not reuse the Vacuum Sealer bags after using with raw meat, fish or poultry or after the bag has been heated, i.e. microwave or simmer.**



## FOOD STORAGE/PRESERVATION GUIDELINES

**The Vacuum Sealer will change the way you purchase and store food. The Vacuum Sealer removes air from the specially designed Vacuum Sealer bags and canisters to create a commercial quality vacuum.**

The ease and convenience of preserving and extending the freshness of your food with the Vacuum Sealer will become an indispensable part of your food preparation.

The Vacuum Sealer removes air from specially designed bags and canisters to extend food freshness up to 5 times longer than conventional storage methods.

Oxygen and moisture in air causes food to degrade over time, by removing the air before sealing items airtight the Vacuum Sealer extends the life of food naturally.

Vacuum Sealing is not intended to replace the refrigeration or freezing of foods, food should still be refrigerated or frozen if normally required.

**IMPORTANT: It is best to Vacuum Seal fresh food, Vacuum Sealing will not restore or revive food past its prime. Do not consume food that has gone bad.**

## FOOD PRESERVATION CHART

**Note:** Storage preservation chart are estimates only and should be used as a guide only. The storage life will depend on the original quality of the foods and the integrity of the packages seal.

Fridge	Conventional Storage	Pro-line Vacuum Sealer
Semi Hard Cheeses (Swiss, Cheddar)	1-2 weeks	4-8 months
Hard Cheeses (Parmesan)	1-2 weeks	4-8 months
Lettuce, Spinach	3-6 days	2 weeks
Avocado (cut)	1-2 days	5-6 days
Blueberries	3-6 days	2 weeks
Other berries (Blackberries, Strawberries, Raspberries)	1-3 days	1 week

Freezer	Conventional Storage	Pro-line Vacuum Sealer
Beef, Pork or Lamb	6 months	2-3 years
Minced Meat	4 months	1 year
Poultry	6 months	2-3 years
Fish	6 months	2 years
Soups, Stews, Sauces	3-6 months	1-2 years
Vegetables	8 months	2-3 years
Berries	1-2 months	6-8 months

Pantry	Conventional Storage	Pro-line Vacuum Sealer
Nuts	6 months	2 years
Coffee Beans	6 months	1 year
Rice	6 months	2 years
Flour	6 months	1-2 years
Sugar	6 months	1-2 years
Chips	1-2 weeks	3-6 weeks
Cookies, Crackers	1-2 weeks	3-6 weeks



## HINTS & TIPS

- Before Vacuum Sealing, it is necessary to clean your hands, and all utensils and surfaces to be used for cutting and Vacuum Sealing foods.
- Refrigerate or freeze perishable foods immediately, if they have been vacuum sealed do not leave them sitting at room temperature.

**Note:** It may be harmful if you consume foods which have been left out at room temperature.

- Store dry foods such as nuts, biscuits or cereals, in a cool, dark dry place.
- Vacuum Sealed bags prevent freezer burn. Foods that thaw easily should be placed at the back of the freezer where the temperature is more constant. When thawing foods it is best to thaw foods in the refrigerator. Never thaw meats, poultry, fish or dairy at room temperature or in hot water. If thawing food by microwave, foods should be cooked immediately after processing to prevent bacteria growth.
- VACUUM SEALER Vacuum Bags and Rolls are MICROWAVE safe, to microwave cut off one corner of the bag so that steam can escape and place in microwave.
- VACUUM SEALER Vacuum Bags and Rolls are SIMMER/BOIL safe. Place bag into pot of boiling water with the top of the bag above the water for easy removal.

**Note:** Bags or rolls are not reusable if they have been microwaved or simmered/boiled.

- To Freeze SOUPS and SAUCES pour liquid into a bag, allowing at least 8cm of space at the top of the bag (this allows space for expansion of liquid when frozen and sealing space for the bag). Do not seal at this point. Place the filled liquid bag upright into a freezer, when liquid is frozen, remove bag from freezer and Vacuum Seal.
- Vacuum Sealing FRUITS, for best results pre-freeze cut soft fruit prior to vacuum sealing. This helps prevent the fruit from being crushed during the vacuum process.
- VEGETABLES, for best results blanch vegetables in hot water otherwise they may turn black. Blanch so that vegetables are still crunchy, then transfer immediately into icy cold water to cool. Drain and separate into convenient portions then vacuum seal in bags.
- Vacuum Sealing POULTRY and whole FISH, for best results wash poultry and pat dry with a paper towel. Then place foods between two paper towels inside bag before Vacuum Sealing. The paper towels helps to absorb excess moisture and juices.
- Vacuum Sealing red MEATS and fish fillets, for best results pat dry with a paper towel. Then place foods between two paper towels inside bag before Vacuum Sealing. The paper towels helps to absorb excess moisture and juices.

## HINTS & TIPS

**Note:** Vacuum Sealing may cause meat to darken. This is due to the removal of oxygen and does not indicate spoilage.

- The Vacuum Sealer Home Vacuum Sealer can also protect NON-FOOD ITEMS from oxidation, corrosion and moisture. Simply store and seal items in a Vacuum Sealer Vacuum Bag and follow the “Storing Food in a Vacuum Bag” instructions.
- Vacuum Seal items to help keep them dry, and take up less room for storage. e.g. camping, batteries, important documents, travelling and emergency equipment.
- Vacuum seal wet paint brushes between paint jobs without cleaning, it keeps them moist and saves on clean up time.
- Use the Canisters to store DELICATE ITEMS such as berries, biscuits and salad leaves or use to store sauces or soups.
- The Marinate Bowl is a great solution for marinating meats in minutes, not hours, as Vacuum Sealing opens the pores in foods such as meat, poultry and seafood’s allowing foods to absorb marinades in a fraction of the time.
- For the busy family, on-the-go meals can be prepared ahead and Vacuum Sealed in individual servings, and ready to heat anytime.
- Prepare foods in advance for picnics and camping trips or barbecues.
- To make an ICE PACK, pour water into a bag, allowing at least 8cm of space at the top of the bag (this allows space for expansion of liquid when frozen and sealing space for the bag). Do not seal at this point. Place the filled liquid bag upright into a freezer, when liquid is frozen, remove bag from freezer and Vacuum Seal. Use for ice in the cooler, or ice packs for sports injuries.
- Primarily the Vacuum Sealer is used for vacuum sealing, however you are able to reseal foil based bags such as chip and biscuit bags using the Manual Seal function.



## STORING YOUR VACUUM PRESERVATION SYSTEM

The condition of the Upper Gasket and Lower Gasket parts on your Vacuum Sealer are critical to the forming of an air tight seal around the bag when the cover is locked in position.

Food debris or deformation of the gaskets due to the machine being stored in the locked position can affect the ability of the machine to evacuate air from the bag successfully.

To prevent this:

- Always store the machine in an unlocked position. To do this start with the cover in the open position, pull the cover lock handle down to the lock position but with the cover still open. Then close the cover. This will enable you to shut the unit but not deform the gaskets.
- Regularly inspect the Upper and Lower Gaskets to ensure they are clean, in good condition and not deformed (compressed).

Spare Gaskets can be purchased from  
[www.prolineaustralia.com.au/accessories](http://www.prolineaustralia.com.au/accessories)

If your machine is failing to remove air from the bag, it may be due to the gaskets. If this happens:

1. Inspect Upper and Lower Gasket and ensure they are clean and in good condition and that they sealed correctly.
2. If no damage is apparent the gaskets may be deformed (compressed).
3. Remove the gaskets, turn upside down and replace back into the machine.
4. If these steps fail then replace the gaskets with a replacement kit from Proline Australia. Part VS-D3-Gasket.

Spare Gaskets can be purchased from  
[www.prolineaustralia.com.au/accessories](http://www.prolineaustralia.com.au/accessories)

**Keep the unit in a flat and safe place, out of the reach of children.**



## CLEANING AND MAINTENANCE

It is important to ensure that all parts of your Vacuum Sealer sealing system is cleaned on a regular basis.

### Follow the care and cleaning guidelines below:

1. Always unplug the unit before cleaning.
2. Do not immerse appliance in water or any other liquid.
3. Do not use abrasive cleaners to clean the unit.
4. Wipe the outside of the unit with a damp cloth, sponge or mild dish soap.
5. Wipe away food residue and water inside or around component with a paper towel.
6. Dry thoroughly before use.

### Cleaning Vacuum Bags:

**Note:** Do not reuse the Vacuum Sealer bags after using with raw meat, fish or poultry or after the bag has been heated, ie microwave or simmer.

1. Wash bag material in warm water with a mild dishwashing soap.
2. Alternatively, Bags can be washed on the top rack in your dishwasher by turning the bag inside out. Stand bags up so that the washing water can rinse the entire surface.

### Cleaning Gaskets:

Remove Lower and Upper Gasket from its indentation location and wash with warm soapy water then rinse thoroughly. Ensure Gaskets are completely dry before installing back into indentation location.

**IT IS IMPORTANT** that the Gaskets are not out of shape or damaged in any manner otherwise air tight seal will not be formed when cover is closed.

### Cleaning Accessories:

(Including canister base and hose accessories.)

1. Wash all vacuum accessories in warm water with a mild dishwashing soap (**except canister lids.**)
2. Canisters (not lids) are top rack dishwasher safe. Canister and marinate bowl lids should be wiped down with a damp cloth and must not be immersed in water.
3. Ensure all accessories are thoroughly dried before use.

**Note:** Canister lids are not to be used in microwaves or in freezers.



## TROUBLE SHOOTING

BEFORE YOU EMAIL FOR SERVICE PLEASE REVIEW THE TROUBLE SHOOTING TIPS FIRST.

Problem	Possible Cause	Solution
Nothing happens when I press the vacuum sealer	<ol style="list-style-type: none"><li>1. Power cord is not plugged in.</li><li>2. Power cord is damaged.</li></ol>	<ol style="list-style-type: none"><li>1. Make sure the power cord is correctly plugged into the electrical outlet, and in the "on" position.</li><li>2. Check power cord and plug, and make sure they are not damaged in any way. If damaged, do not use the vacuum sealer.</li></ol>
Air is not removed from the bag completely	<ol style="list-style-type: none"><li>1. The bag has not been placed correctly inside the Vacuum Chamber.</li><li>2. Debris covering sealing strip or upper and lower gaskets. Sealing strip gaskets may be out of place.</li><li>3. Bag may have a hole.</li><li>4. Unit cover has not been closed properly.</li></ol>	<ol style="list-style-type: none"><li>1. To seal properly, open end of bag should be resting entirely inside the Vacuum Chamber.</li><li>2. Check sealing strip, upper gasket and lower gasket for debris. Ensure Gaskets are correctly sealed and are not compressed. See page 15 for further information on Gaskets.</li><li>3. To test, seal the bag with some air in it, submerge in water, and apply pressure. If there are bubbles present, it does indicate a leak and a new bag should be used.</li><li>4. Open cover and re-close the cover. Push down firmly on the cover until you hear it 'click' indicating the cover is now fully closed and locked in.</li></ol>

Problem	Possible Cause	Solution
Vacuum sealer bag loses vacuum after being sealed	<ol style="list-style-type: none"> <li>1. Bag not sealed properly.</li> <li>2. Moisture or juices from foods.</li> <li>3. Bag has a hole.</li> </ol>	<ol style="list-style-type: none"> <li>1. Wrinkles, crumbs, grease or liquids may cause leaks along the seal. Reopen bag, wipe the top inside of the bag and smooth it out along the sealing strip before resealing.</li> <li>2. Check if there is moisture or juices from the food present within the bag, if yes, you may need to cut open the bag and reseal it, or use an entirely new bag. Foods with excess liquids should be frozen before vacuum sealing.</li> <li>3. If items with sharp edges, they may have punctured the bag, and released the vacuum. Cushion sharp edges in the contents of the bag with paper towels.</li> </ol>
Vacuum sealer not sealing bag properly	<ol style="list-style-type: none"> <li>1. Sealing strip is too hot.</li> <li>2. Seal Only function still active or needs to reset.</li> </ol>	<ol style="list-style-type: none"> <li>1. The sealing strip may have overheated and melted the bag. Lift the lid and allow sealing strip to cool for a few minutes.</li> <li>2. Before re-pressing the “seal only” button, allow the unit to resume for 15 seconds.</li> </ol>
The canisters and bowl will not vacuum	<ol style="list-style-type: none"> <li>1. Lower &amp; Upper Gaskets are not forming an air tight seal.</li> <li>2. Canister lid dial not in SEAL position.</li> <li>3. Accessory Hose not correctly attached to Vacuum Seal Hose Port or canister lid.</li> </ol>	<ol style="list-style-type: none"> <li>1. Ensure Gaskets are correctly sealed and are not compressed. See page 15 for further information on Gaskets.</li> <li>2. Gently turn the canister lid dial arrow to SEAL position.</li> <li>3. Make sure accessory hose is firmly pushed in all the way into Vacuum Seal Hose Port on appliance and canister lid.</li> </ol>



## **Your Pro-line Australian 12 Month Repair or Replacement Warranty**

Pro-line warrants this appliance to the first purchaser and subject to the stated conditions:

Warranty covers any defects in material or workmanship in the manufactured product within the first twelve months from the date of purchase.

To make a warranty claim you must visit Pro-line online at [www.prolineaustralia.com.au/warrantyclaim](http://www.prolineaustralia.com.au/warrantyclaim)

If a product is found to be faulty there is a 90 day return policy from the date of purchase. Products returned to store MUST be accompanied by a valid proof of purchase.

For warranty claims outside of 90 days from date of purchase, product will be repaired or replaced at our discretion. Repair or replacement costs of the product will be covered under warranty by Pro-line.

Goods presented for repair may be replaced by refurbished goods of the same type rather than being repaired. Refurbished parts may be used to repair the goods.

The benefits given to you by this warranty are in addition to other rights and remedies of the consumer law in relation to the goods or services to which this warranty relates.

Our goods come with guarantees that cannot be excluded under the Australian Consumer Law. You are entitled to a replacement or refund for a major failure and compensation for any other reasonably foreseeable loss or damage. You are also entitled to have the goods repaired or replaced if goods fail to be of acceptable quality and the failure does not amount to a major failure.

## **Conditions Of This Warranty:**

1. This product has been fully installed in accordance with the user manual installation instructions.
2. The warranty extends only to repairing or replacing any component that proves to be defective in material or workmanship.
3. The warranty does not cover defects occasioned by misuse, alterations, accidents, or used for other than the intended purpose.
4. The warranty does not cover damage to the product caused by accident, fire, or floods, power surges or blackouts.
5. Proof of purchase is required for warranty claims.

Please keep purchase receipt in a safe place.

**Pro-line Australia**  
**PO Box 4187**  
**Norwood South LPO**  
**South Australia 5067**

[info@prolineaustralia.com.au](mailto:info@prolineaustralia.com.au)  
[www.prolineaustralia.com.au](http://www.prolineaustralia.com.au)










Pro-line Australia  
PO Box 4187  
Norwood South LPO  
South Australia 5067

Email: [info@prolineaustralia.com.au](mailto:info@prolineaustralia.com.au)

Web: [www.prolineaustralia.com.au](http://www.prolineaustralia.com.au)

Find us

 [/prolineaustralia](https://www.facebook.com/prolineaustralia)

 [/proline\\_australia](https://www.instagram.com/proline_australia)