

Assembly Instructions

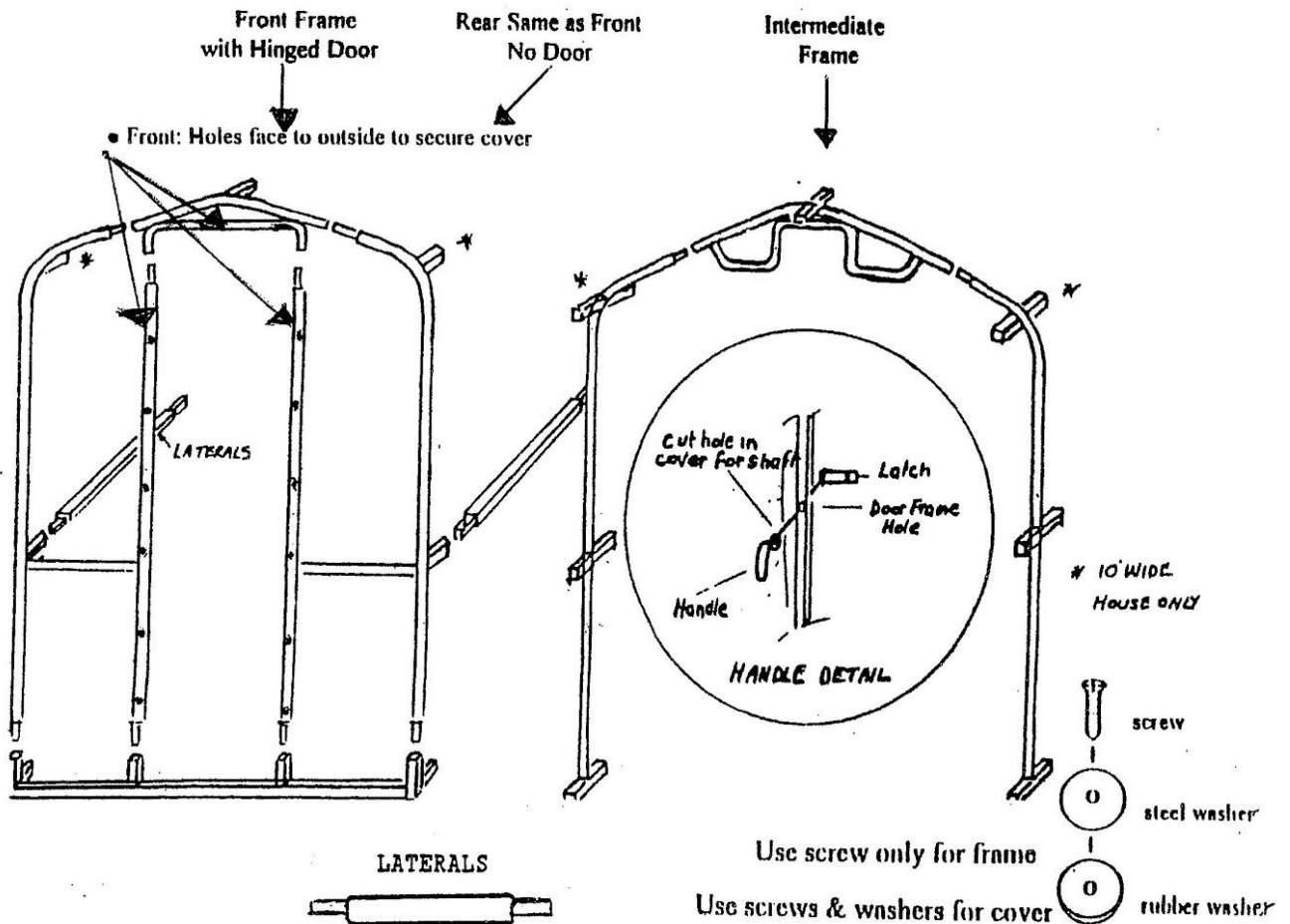
Shade House



Frame: The house frame consists of a Front, Back and one or more Intermediate Frames and Laterals (for joining).

Cover: Cover consists of the house cover in one piece and a separate door piece.

Fixings: Pack consisting of fixings screws and washers, lockable door handle, and instructions.



Note : For optimum light position the house north/south. Preferably in full sun for optimal sunlight.
Install on a cleared, levelled site. Can be installed on treated timber base, soil, concrete slab, concrete blocks etc.

Installation is available from Adloheat - Price on application.

FOR EASE OF ASSEMBLY PLEASE READ INSTRUCTIONS FULLY BEFORE COMMENCING.

You will need:

Cordless drill with phillips head driver

Ladder

Hole spade

1 x 30 kg quick set or concrete (more for larger houses)

A. FRAME

Method of assembly is simply to enter the small tube spigots (these are on each end of the laterals and ribs), into the adjacent members as far as they will go. You will find that the holes will match up. Fix a self-tapping screw into the matched up holes to secure together. *Washers* are not needed for these connections.

1. Lay out base pieces. Open out front frame piece. Starting at the corner with the pre-hung door, slot into base piece. Leave the door open to prop the house up. Then continue with the other side.
2. Fix the laterals on the intermediate frame (ribs). It is better to enter the laterals together evenly, but there is sufficient spring in the frame to enable the top arch connection to be slipped on after the other laterals are secured.
3. Install top arches.
4. Repeat for other intermediate frames
5. Assemble *end* frame and fix to laterals



B. COVER (the pictures below show a plastic cover, however the same procedure applies to the shade cloth covers).

1. The cover should be rolled out so the label is on the outside above the door opening. The black reinforcing tape should face into the house. Place cover onto frame, centering the cover in position on the door frame.
2. Note: The pre-drilled holes provided on the face of the frame are used for fixing the cover to the frame. Using self-tapping screw, steel washer then neoprene washer together, start at the top of door frame (see picture below) and continue down the door frame. Alternate fixing the screws on both sides of the door frame until reaching the bottom.
3. Fit a screw in each of the four base corners of the frame & at the base of the intermediate frames



C. DOOR HANDLE

1. Insert handle in door and fix to outside of cover, pierce hole in cover for spindle. For further instructions see front page.



D . FOOTINGS

1. Earth pegs provided will secure the house firmly down if installed in the ground. Place a peg in each corner of the house, for larger houses place pegs supplied around the house at intervals.
2. At each peg location, dig a hole about 30mm more than the depth of the peg, and 200mm in diameter.
3. Fit the rounded end of the peg over the base frame, lower into the hole and fill hole with 'quick set' concrete to just below ground level. Fill the hole with water.

Note: If the pegs or dynabolts provided are not fitted, wind damage will occur.

Pegs will be supplied unless other arrangements have been made for alternative fittings.



CARE INSTRUCTIONS

- Install the house according to the instruction sheet provided.
- Install the house away from overhanging trees as damage may occur from falling branches.
- Do not use near flames, sparks from fire or sharp objects.
- Contact with highly acidic, organic solvents, halogens and some horticultural chemicals containing sulphur may reduce the service life of the fabric.
- The house frame must be properly secured to the ground as per our instructions sheet.
- For best light transference, keep the cover clean using soapy water to remove dust, dirt, mildew etc. Do not use solvents to clean the cover.

Note

If the above care instructions and installation instructions are not followed accurately the warranty may be voided. Warranty does not cover normal wear and tear, misuse, vandalism or damage from flying or falling objects.

Made by Adloheat, Factory 2, 7-9 Bormar Drive Pakenham.