

Solbrella™

Installation & User Guide





Warning - Before installing and using this product, please read all safety guidelines & installation instructions to reduce the risk of personal injury & damage to the product



SAFETY

1. Read and follow all instructions carefully.
2. Do not use in high winds or extreme weather.
3. Do not leave the umbrella open unsupervised.
4. Do not use excessive force when opening, closing & turning the umbrella.
5. Do not install on an uneven or loose ground.
6. Avoid turning or tilting in winds while the canopy is open as it may result in lose of control. Lower the canopy before turning or tilting.
7. Follow correct installation guidelines.
8. Use PPE where required, some parts contain sharp edges.
9. Be cautious of moving parts when assembling, hands & fingers can easily be pinched or crushed

CAUTIONS

1. Avoid allowing dirt, spider webs and other environmental debris to build up.
2. Do not install on an uneven or loose ground.
3. Do not use cleaning chemicals which are not stated in the maintenance & cleaning guide, unless it has been recommended by Alpine Spas or Solbrella.
4. Do not use a hard bristled brush to clean the canvas canopy & cover.

INSTALLATION REQUIREMENTS

1. Only install the umbrella on a reinforced deck, reinforced concrete or supplied base.
2. Do not store flammable objects or chemical substances near the umbrella
3. Avoid installing under trees/bushes (Excess tree foliage, seeds, pollen, bird dropping , etc may result in accelerated deterioration).
4. Do not install under or near power lines.
5. We recommend two people to assemble the umbrella.
6. Make sure to remove the spigot from the frame before securing the frame to your base of choice.

CHOOSING A LOCATION

If you own a Spa Pool or alternative outdoor relaxation zone, situating your Umbrella to ensure you will be protected from the sun is an excellent way to enjoy the warmth for longer periods without having to worry about nasty sunburn.

With the Umbrella's 360° rotation functionality, it's a good idea to situate the Umbrella so its potential can be maximised. For example, you might place the Umbrella in between deck chairs and a child's play area so the Umbrella can be tilted and swung to protect either area.

This Umbrella's tilt system creates an abundance of opportunities to enjoy every last minute of the sun's warmth. Next time you're enjoying a stunning sunset next to your special someone, gradually lower the Umbrella by using its tilt system to ensure you stay protected from low horizon sun strike.

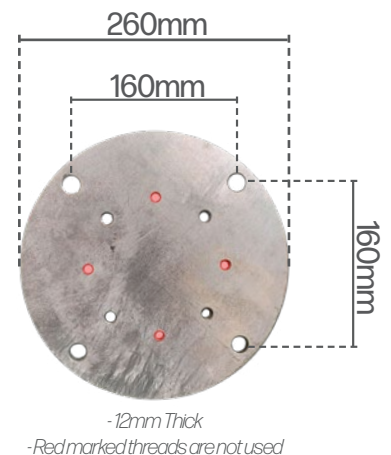
Identifying your prevailing wind is another great way to get the most out of your new Umbrella. If you know there is often a howling easterly blowing through your backyard, situate your Umbrella to block that wind so you can enjoy a peaceful afternoon without that pesky wind.

We strongly recommend situating your Umbrella a safe distance away from any BBQ's or outdoor fires to ensure all family and friends remain safe.

BASE OPTIONS

SURFACE PLATE *(INCLUDED)*

The surface plate allows you to easily install your cantilever umbrella onto concrete or a reinforced deck. Every umbrella comes standard with a surface plate and four masonry sleeve anchor bolts to secure it into place. Fixtures to secure the base plate to your reinforced deck are not included.



PORTABLE STAINLESS STEEL BASE *(OPTIONAL ADD-ON)*

The 316 stainless steel Portable Base allows users to conveniently move the umbrella around their desired location. The Portable Base combined with the 360* rotation & full tilt system creates boundless options for users to shade any spot around their yard, spa & pool area.



ANCHOR KIT *(OPTIONAL ADD-ON)*

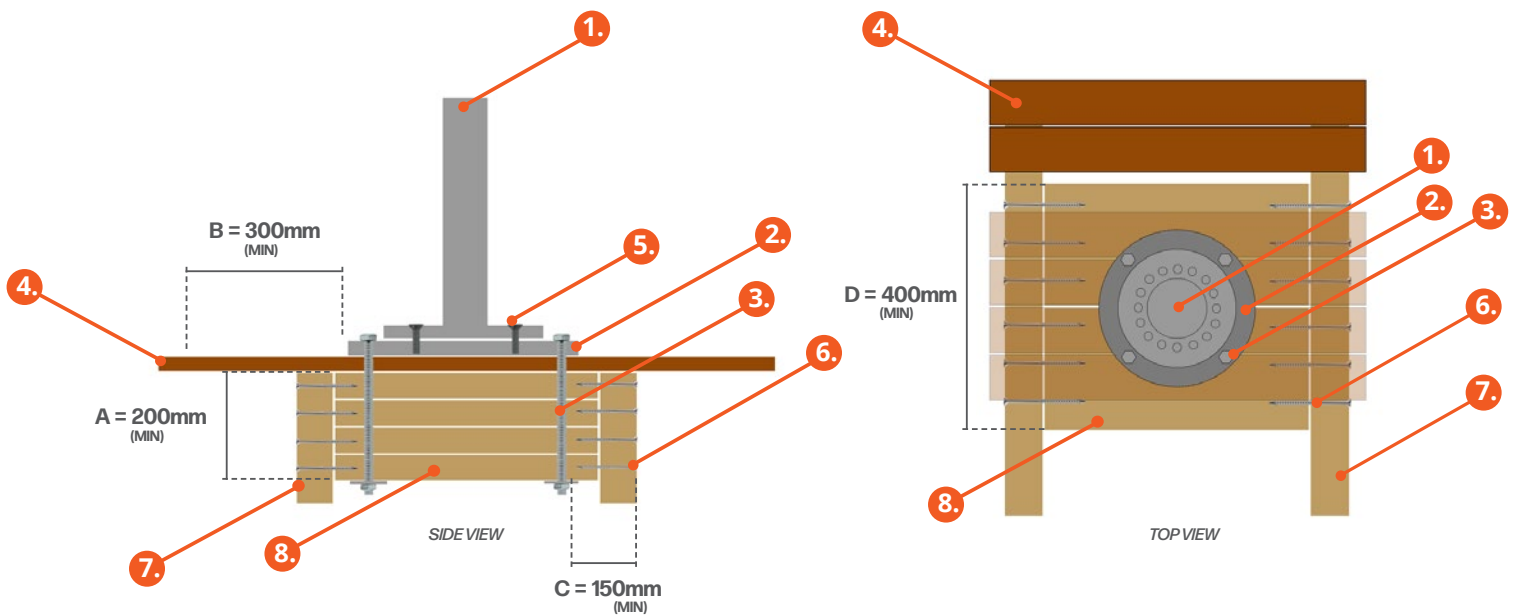
The Anchor Kit makes for a great solution pre-build or in a grassed area. Creating possibilities for users to install the anchor kit into concrete slabs before it's poured, or into grassed outdoor areas.



HOW TO INSTALL BASE

EXISTING DECKING

1. Position base plate in desired location, square off and make sure it's level.
2. Mark holes into the decking using the outer pre-drilled holes in the surface plate as guides.
3. Remove surrounding decking - leave decking under surface plate.
4. Measure the distance between joists and cut the nogs to suit. It requires a **minimum depth of 200mm (A)** and a **minimum width of 400mm (D)**. We suggest using 200x50mm timber framing and secured as illustrated in the diagrams below.
5. Secure these under the desired location for the surface plate using 14G X 150MM (min) bugle screws (not included). Decks with joists thicker than 75mm will require longer bugle screws. Pre-drilling is recommended.
6. Using your previous marks, drill through the decking and the newly installed nogs.
7. Level and secure the surface plate using M12 bolts/threaded rod, washers and nylon nuts.
8. Replace the decking
9. Once the surface plate is secured to the reinforced decking follow the **'INSTALLING THE SPIGOT TO SURFACE PLATE'** instructions (page 9) to attach the 'spigot' to the 'surface plate'.



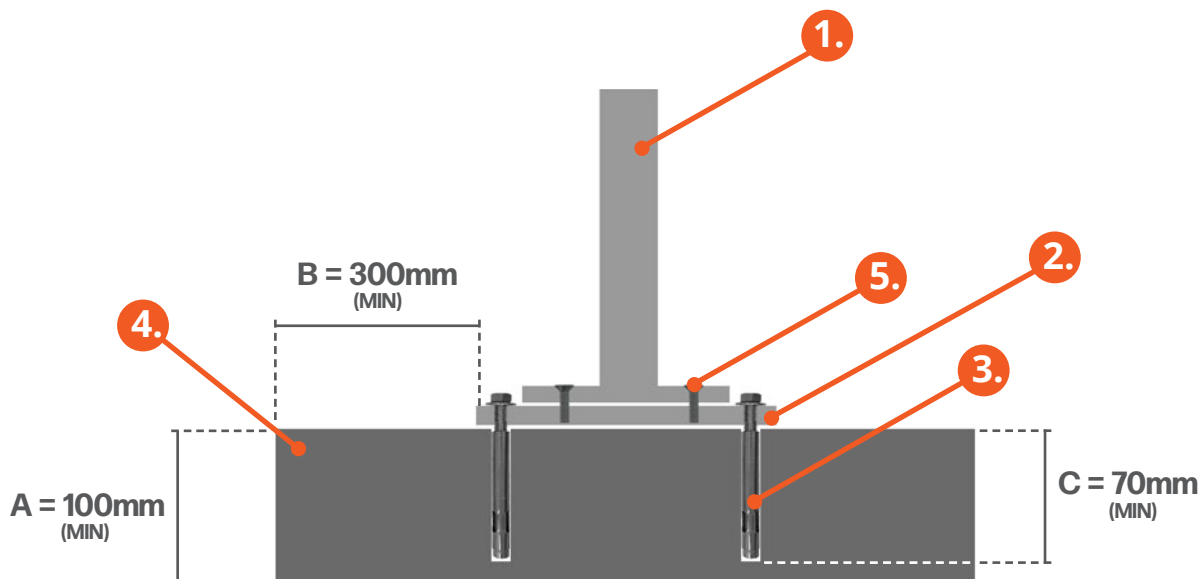
*Drawings are not to scale
Gaps in drawing are for illustration purposes only*

- | | | | |
|---------|---|-------------------------------|---|
| 1 | SPIGOT | 200MM (min) NOG DEPTH | A |
| 2 | SURFACE PLATE | 300MM OFF WALL OR FENCE | B |
| 3 | M12 THREADED ROD/BOLT,
SQUARE WASHER & NUT | 150MM (min) DEEP SCREW | C |
| 4 | DECKING | 400MM (min) WIDE NOG | D |
| 5 | COUNTERSUNK HEX BOLT 25MM | | |
| 6 | 14G X 150MM (min) BUGLE SCREW | | |
| 7 | JOIST | | |
| 8 | NOG | | |

HOW TO INSTALL BASE

EXISTING REINFORCED CONCRETE

1. Position baseplate in desired location, square off and make sure it's level.
2. Mark holes into the concrete using the pre-drilled countersunk holes in the baseplate as guides.
3. Remove the surface plate and drill 16mm holes a minimum of 115mm into the concrete to suit the supplied masonry sleeve anchor.
4. Clean the holes and mounting area from any masonry dust & dirt.
5. Install the 4 masonry sleeve anchors, place the surface plate on top and secure using a 18mm socket.
6. Once the surface plate is secured to the concrete, follow the '**INSTALLING THE SPIGOT TO SURFACE PLATE**' instructions (page 9) to attach the 'spigot' to the 'surface plate'.



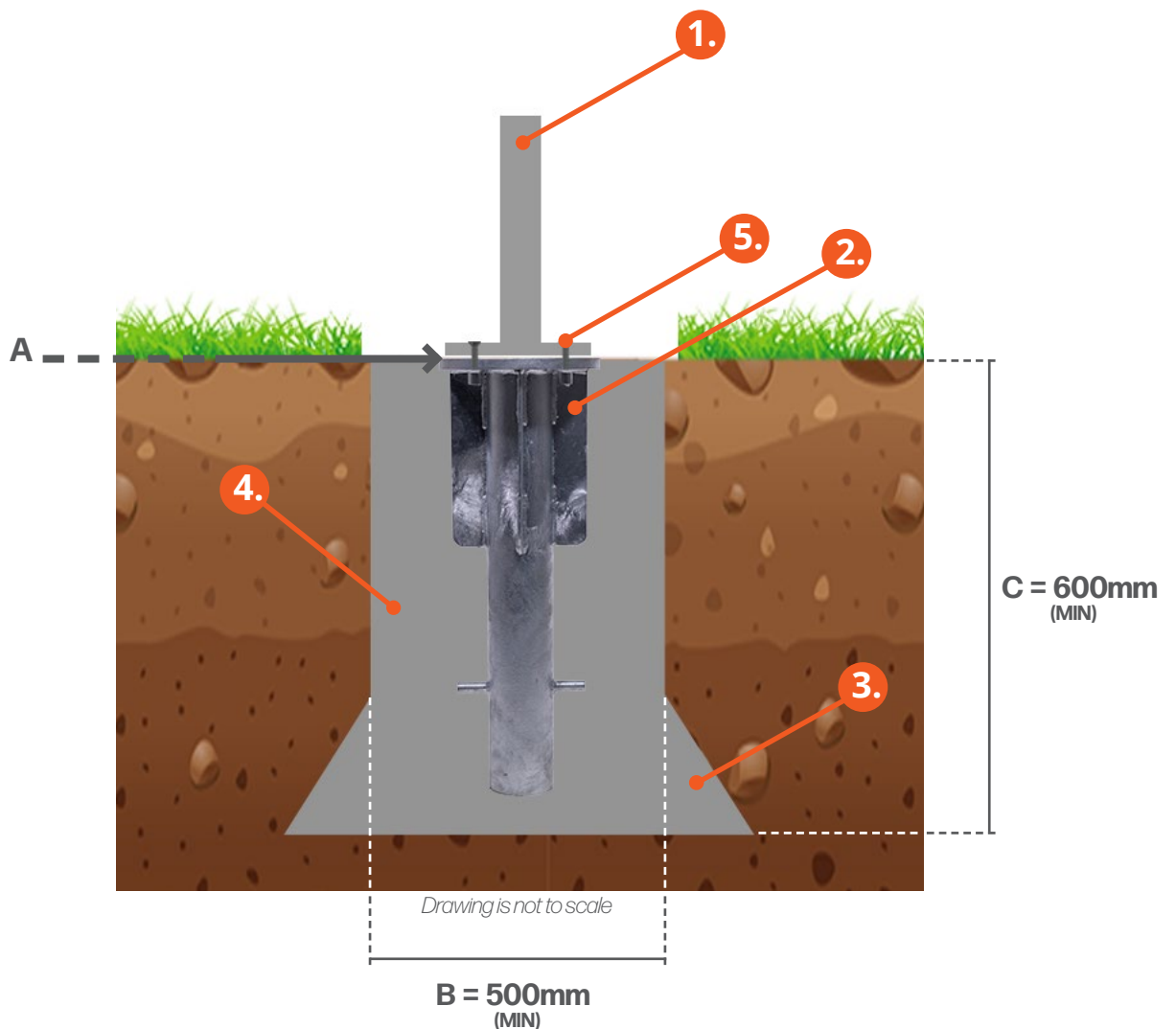
*Drawings are not to scale
Gaps in drawing are for illustration purposes only*

1	SPIGOT	100MM (min) DEPTH CONCRETE	A
2	SURFACE PLATE	300MM OFF WALL OR FENCE	B
3	MASONRY SLEEVE ANCHOR	70MM (min) DEEP SCREW FIXING	C
4	REINFORCED CONCRETE		
5	COUNTERSUNK HEX BOLT 25MM		

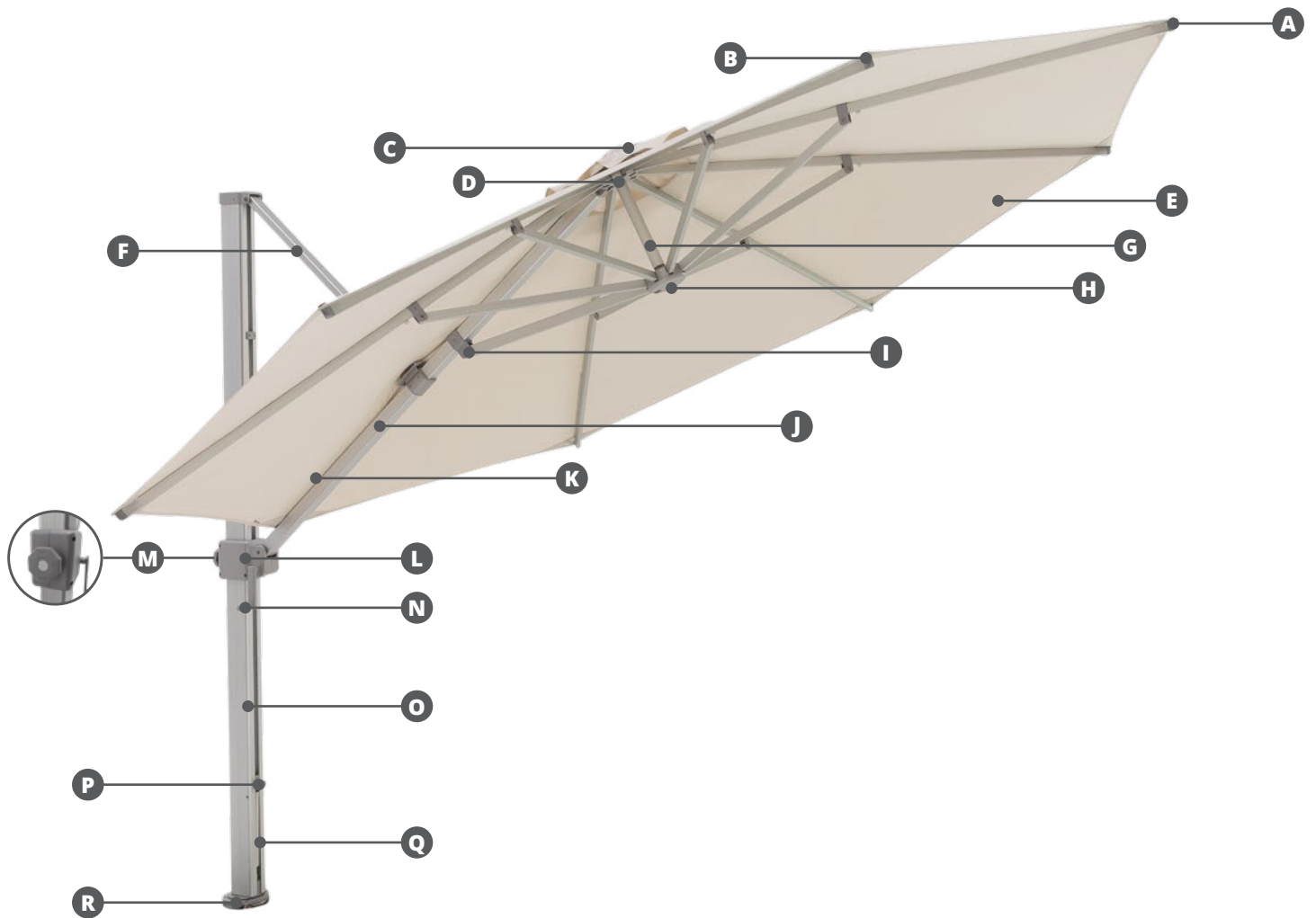
HOW TO INSTALL BASE

PRE-POURED CONCRETE

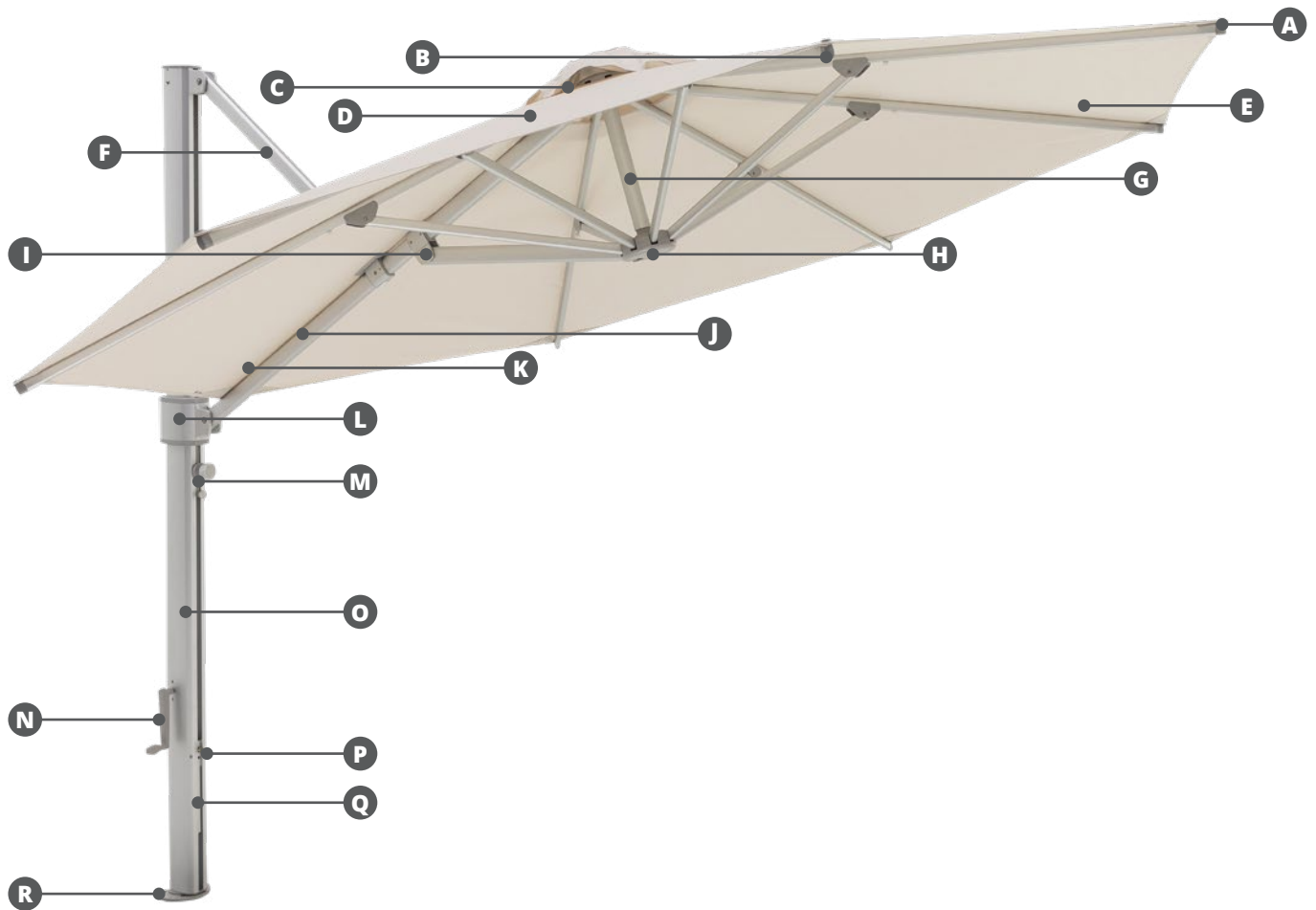
1. Start by digging a hole 600mm deep (min) and 500mm (min) wide with a bell shape near the bottom. If you find the soil is soft, it is advised to increase these dimensions by 25%.
2. Screw the 4x '25mm countersunk hex bolts' into the flange to keep them cement free.
3. Install the in-ground 'Anchor' vertically into wet cement, making sure the top of the 180mm top flange is dead level, and flush with the top of the cement.
4. Leave the concrete for 1 week to fully set.
5. Once the concrete is fully set, follow the **'INSTALLING THE SPIGOT TO SURFACE PLATE'** instructions (page 9) to attach the 'spigot' to the 'anchor'.



- | | | | |
|---------|---------------------------|--|---|
| 1 | SPIGOT | ANCHOR TOP FLUSH WITH GROUND LEVEL | A |
| 2 | IN-GROUND ANCHOR | 500MM (min) IN HARD SOIL | B |
| 3 | BELL SHAPED HOLE | 600MM (min) IN HARD SOIL | C |
| 4 | CONCRETE | | |
| 5 | COUNTERSUNK HEX BOLT 25MM | | |



- | | | | |
|---|------------------|---|-----------------------|
| A | Metal Eyelets | J | Support Arm |
| B | Long Rib End Cap | K | Velcro Split |
| C | Canopy Vent | L | Gliding Tilt Assembly |
| D | Upper Hub | M | Tilt Dial |
| E | Canvas Canopy | N | Crank Handle |
| F | Crossbar | O | Frame |
| G | Centre Pole | P | Rotating Locking Pin |
| H | Lower Hub | Q | Rotating Handle |
| I | Rib Joint | R | Spigot |



- A Metal Eyelets
- B Long Rib End Cap
- C Canopy Vent
- D Upper Hub
- E Canvas Canopy
- F Crossbar
- G Centre Pole
- H Lower Hub
- I Rib Joint

- J Support Arm
- K Velcro Split
- L Gliding Tilt Assembly
- M Tilt Dial & Tilt Locking Pin
- N Crank Handle
- O Frame
- P Rotating Locking Pin
- Q Rotating Handle
- R Spigot

INSTALLING THE SPIGOT TO SURFACE PLATE

Whether you are using the Surface plate, Portable base or the in-ground Anchor, the 'Spigot' attaches the same way.

1. While the umbrella is on its side, remove the 'Spigot' by pulling the 'rotating locking pin' located near the bottom of the frame and slide the 'Spigot' out of the frame.
2. Position the 'spigot' on top of your base option and align the pre-drilled countersunk holes with the threaded holes.
3. Secure the 'spigot' in place using the 4x 12G '25mm countersunk hex bolts' using the provided 8mm allen key into the larger 12G threads.



ASSEMBLING THE PORTABLE BASE & INSTALLING THE SPIGOT

The Portable Base is designed to allow the user to easily roll the cantilever umbrella to different positions around their outdoor living area. The base holds pavers (*not included*) inside to weigh it down and has four premium lockable dolly wheels for ease of portability.

Paver Dimensions 8 x 400(W) x 400(L) x 40mm(D) ***NOT INCLUDED***

OR

12 x 400(W) x 400(L) x 30mm(D) ***NOT INCLUDED***

1. Install the 4x lockable dolly wheels to the underside of the portable base.
2. With the base flipped back onto the wheels, carefully remove the lid and place the pavers into the base. **Be careful not to get fingers pinched or crushed, gloves are recommended.**
3. Place the lid back onto the base and follow 'INSTALLING SPIGOT TO SURFACE PLATE' instructions above to install the 'spigot' to the portable base.



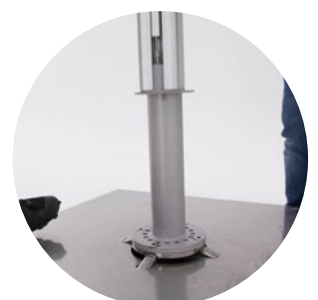
LOCKED



UNLOCKED

INSTALLING THE FRAME TO SPIGOT

1. Once your 'spigot' is secured to your base, with 2-3 people, carefully lift the 'umbrella frame' onto the 'spigot'. Be careful where you put your hands as they can easily become pinched or crushed by the 'ribs'.
2. Gently rotate the umbrella until you hear the locking pin lock back into place. See the '**HOW TO ROTATE UMRBELLA**' instructions if you need to rotate it before installing the canopy.



INSTALLING THE CANOPY TO FRAME

1. With the 'frame' secure to the 'spigot', insert the 'crank handle' into the 'crank assembly' (Madrid = 'Frame' / Granada = 'gliding tilt assembly').
2. Push the 'gliding tilt assembly' up half way between the top & bottom.
3. Rotate the 'crank handle' until the 'ribs' are half open.
4. Spread out the canvas 'canopy' and locate the 'velcro split', this allows installation around the 'crossbar'.
5. Using a ladder, position the 'canopy' over the 'ribs'. The 'vent' should sit on top of the 'upper hub' and you should split the 'velcro strip' to secure it around the 'crossbar'.
6. Secure the 'canopy' to the 'long ribs' by aligning the 'metal eyelets' to the pre-drilled holes in the 'rib ends caps' with the supplied 20mm screws & plastic countersunk washers. NOTE : There is one shorter screw which is for securing the 'canopy' to the 'support arm'.
7. You can now use your umbrella!



HOW TO OPEN THE CANOPY

1. Remove the cover and the strap from around the frame and canopy (if installed).
2. Slowly rotate the 'crank handle' while lifting the 'gliding tilt assembly'.
3. Lock the 'gliding tilt assembly' halfway using the 'tilt dial'.
4. Continue to rotate the 'crank handle' until the canopy is fully open and taut.
5. You can now release the 'tilt dial' and tilt the canopy to your desired angle.



HOW TO LOWER THE CANOPY

1. Follow "To open your Canopy" in reverse to close the canopy.



HOW TO SECURE THE CANOPY STRAP

1. Simply put the strap halfway around the canopy and frame. Pull it tight so the canopy is pressed against the frame, use the velcro to secure it in place.

HOW TO INSTALL THE CANOPY COVER

1. Layout the cover, open the zip fully and join the two aluminum poles together.
2. Insert the top of the pole through the fabric loop halfway along the zip, then insert the top into the fabric pocket located towards the top of the zip.
3. While applying pressure towards the top pocket, insert the bottom of the pole into the lower fabric pocket.
4. Hold the bottom of the pole and lift the top of the cover over the top of the umbrella.
5. Pull the zip down using the long cord attached to the zip.



ROTATING THE UMBRELLA

Your cantilever umbrella can rotate 360 degrees on its base, allowing you to maximise its square footage. Avoid rotating the umbrella if there is any wind as it can cause loss of control, resulting in potential injury, damage to the product and/or damage to nearby structures.

1. Pull out the 'rotating handle' from the bottom, then pull out the 'rotating locking pin'.
2. Rotate the umbrella to your desired location.
3. Align the small arrow on the base of the umbrella to one of the angle lines on the 'spigot' and release the 'rotating locking pin', you should hear the locking pin lock into place. If not, gently rotate the umbrella left to right to find the hole. You may need to push the 'rotating locking pin' into place.
4. With the umbrella locked into place, gently try to rotate it to make sure it's locked in. If it's not locked in correctly, the wind may cause it to rotate causing injury or damage to the product.



TILTING THE UMBRELLA

Tilting the umbrella canopy can help block low sun strike or provide shade to a certain location. Be aware of tilting the canopy in windy conditions as it may act as a sail, causing possible injury, damage to the product and/or damage to nearby structures.

1. With the umbrella canopy fully open, while holding the 'gliding tilt assembly' simply rotate the 'tilt dial' counterclockwise to loosen it. The Madrid will require the 'tilt safety pin' to be pulled out before adjusting.
2. Slide the 'gliding tilt assembly' up or down to your desired tilt position.
3. Rotate the 'tilt dial' clockwise to secure it in place.



MADRID ONLY



CONTACT INFORMATION

If you need assistance, please get in touch via phone or email.

service@alpinespas.co.nz **0800 99 33 88**
service@alpinespas.com.au **1800 99 33 88**

For a digital copy of this guide visit:
<http://alpinespas.co.nz/support/>
OR
<http://alpinespas.com.au/support/>