

CUSTOM COVER MEASURING GUIDE

REPLACING YOUR SPA POOL COVER

Ensuring a well-fitted spa pool cover is essential for conserving heat and reducing water vapor loss. Like anything else, a spa pool cover has a lifespan that can vary depending on how well it's been cared for. Whether you're replacing your spa pool cover because it has been damaged or because it has reached the end of its lifespan, you will need to accurately measure it before you can confidently replace it.

This guide will provide comprehensive instructions for accurately measuring your cover.

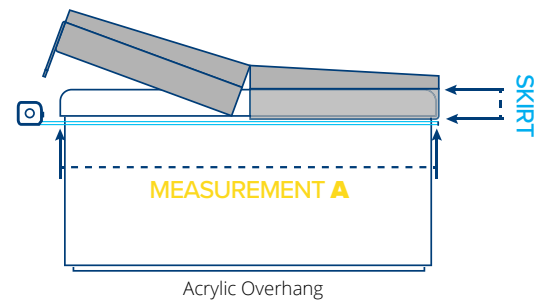
IDENTIFYING YOUR COVER STYLE

Before you go ahead and measure, you need to identify the style of your spa and cover. **Thoroughly read through the below and confirm style A or B before starting at STEP 1 on the following page.**

STYLE A: ACYLIC OVERHANG

Modern spas are made with the acrylic shell lip overhanging the spa cabinet paneling. These spas are very easy to measure the width x length from the outside edge of the shell.

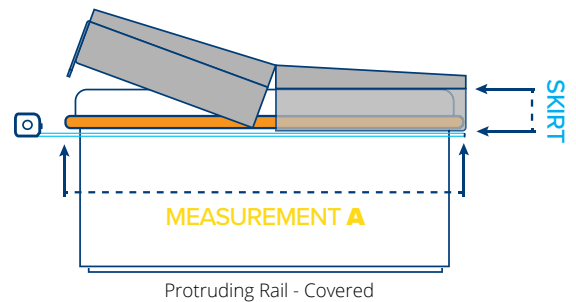
The spa cover skirt covers the lip of the shell as shown. Our standard 12cm cover skirt length is ideal for most spas, but can specify any length you require.



STYLE B: SPAS WITH A PROTRUDING RAIL

If your spa features a protruded rail surrounding the acrylic shell lip, you have the flexibility to choose how your cover is constructed.

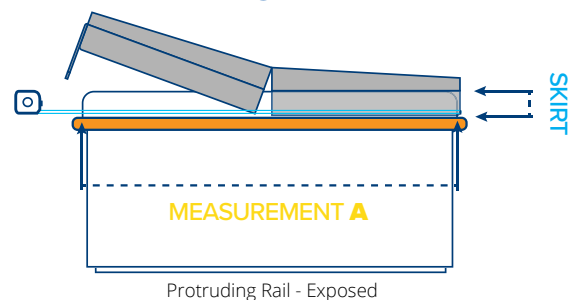
Follow the measurements illustrated here if you prefer the cover and skirt to extend over and cover the protruded rail. This approach provides added protection to the rail against varying weather conditions. You will need to base your width & length measurements off the widest point of the rail, as shown here.



OR

The alternative option is to have a shorter skirt, leaving the rail exposed. You will need to round the skirt length down to prevent it touching the rail. This option requires your width & length measurements to be based off the spa shell, as shown here.

OR



STEP 1 - WIDTH & LENGTH

MEASUREMENT A / MEASUREMENT B

HOW TO OBTAIN MEASUREMENT A & B

For the width & length, it's best to measure the spa pool shell instead of the existing cover. A spa cover that is a little larger than the acrylic shell will fit well, but a cover that is too small will be tight or may not fit at all. It's best practice to round up to the nearest centimeter for measurements **A** & **B**.

Please note: Circle spa covers only require measurement **A & D**.

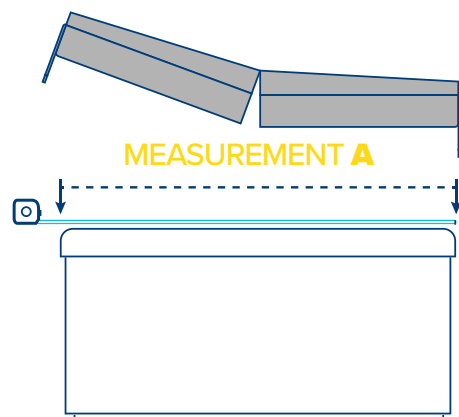
Use a tape measure, to get the following measurements:

MEASUREMENT A

Measurement A MUST be measured across the cover fold.

Determine the orientation of the cover, and then remove it from the spa to measure the shell, outer edge to outer edge.

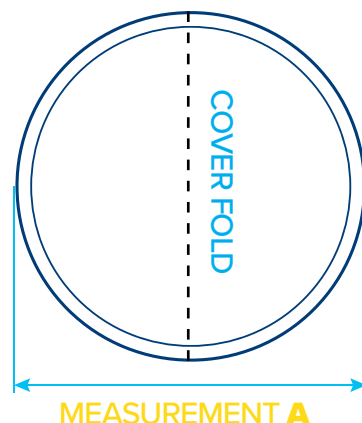
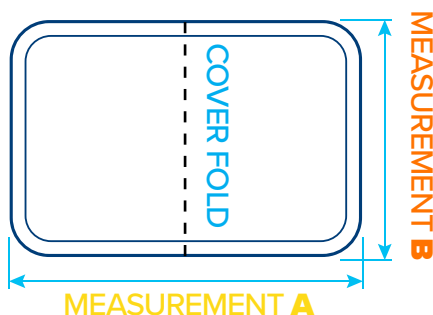
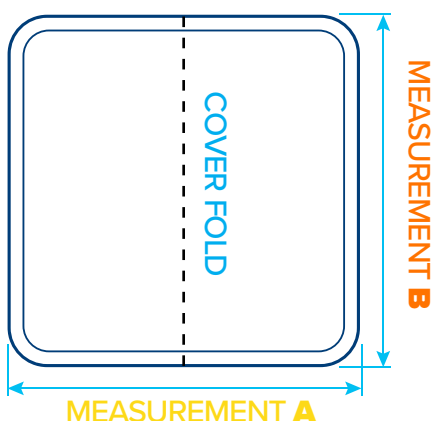
If your spa pool has a protruded rail (as mentioned on page 1), you will need to choose what measuring method you prefer before proceeding with this step (expose rail or not).



MEASUREMENT B

Measure in the opposite direction, outer edge to outer edge.

If your spa pool has a protruded rail (as mentioned on page 1), remember to repeat the same measuring method again.



STEP 2 - CORNER RADIUS

MEASUREMENT C

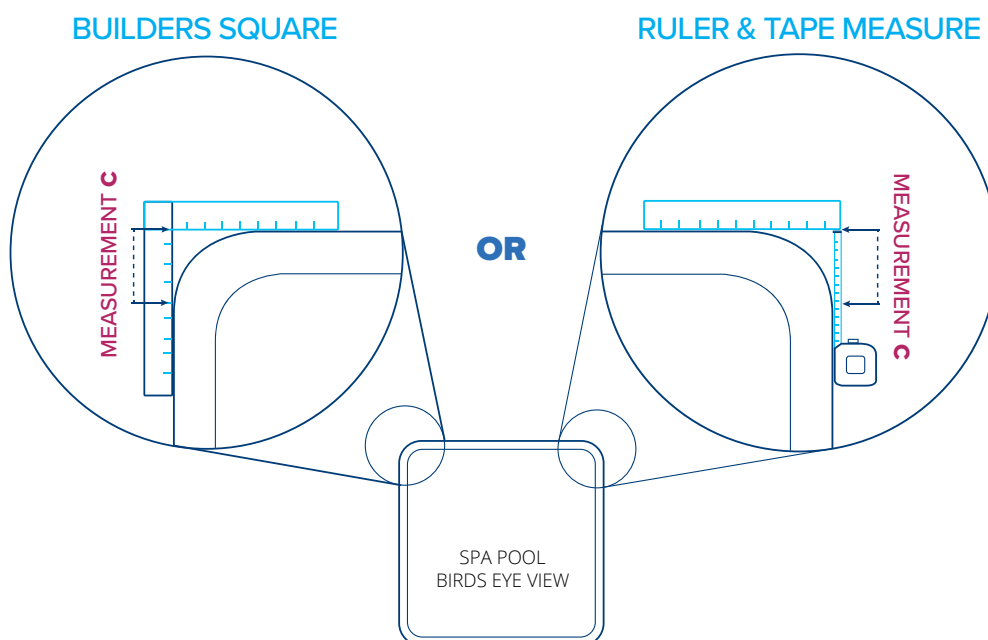
CORNER RADIUS OVERVIEW

The corner radius describes how rounded the corners of your spa pool are. Accurately measuring the radius of the corner is critical for a snug fit so be precise with this measurement. If rounding is needed, round down to avoid a cover that's too tight. Only one corner measurement is required as the corners are uniform.

You don't need to do this step for circle spas. All you need is the diameter of the spa as there are no corners.

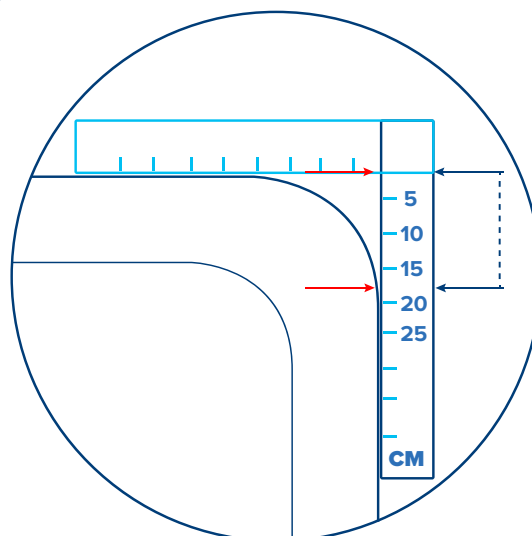
HOW TO OBTAIN MEASUREMENT C

Set your builders square or ruler against one edge of the acrylic. Measure from the inside edge of the square/ ruler to the point where the curve ends. This will give you the corner radius of your spa pool.



EXAMPLE OF MEASUREMENT C

In this example, the builders square tool has been used. This example shows a corner with a radius of around 17.5cm. This measurement should be **rounded down** to the nearest cm, so this would be recorded as 17cm.



STEP 3 - COVER SKIRT

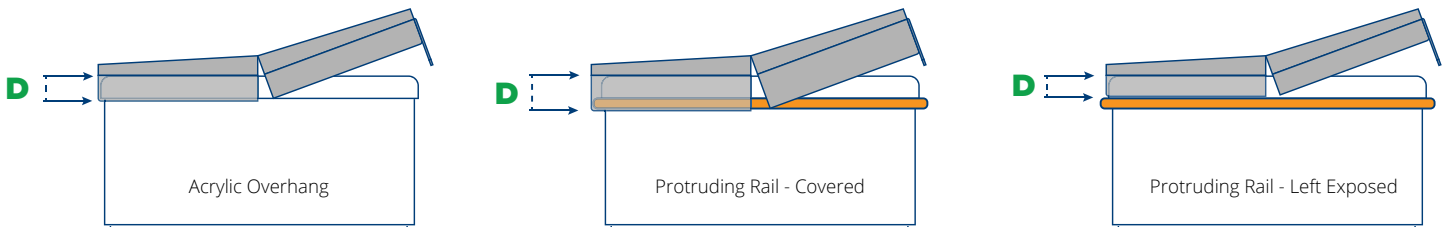
MEASUREMENT D

COVER SKIRT OVERVIEW

The cover skirt is an important feature on a spa pool cover, as it helps to maintain the heat while keeping dust, dirt and rain out of your spa pool water. The cover skirt length can vary depending on your spa's design. Confirming the length of the skirt is important to make sure the new cover is going to be suitable for your spa. There are two ways to measure the required skirt length for our spa.

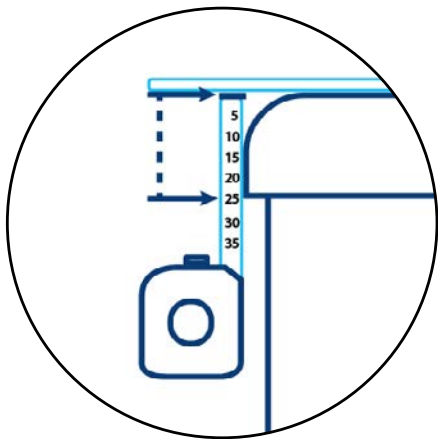
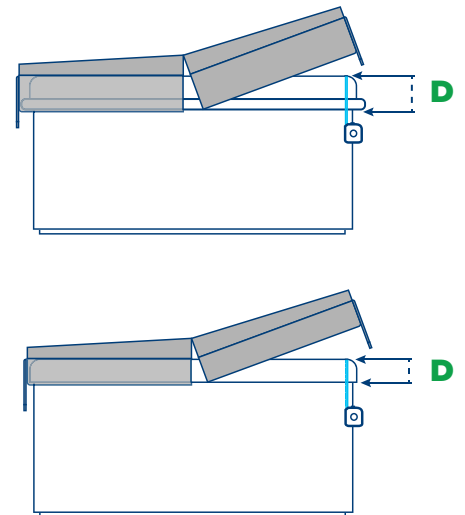
HOW TO OBTAIN MEASUREMENT D

The first method is to take a measurement from your existing cover. Using a tape measure, measure from the top of the skirt, to the bottom (don't measure the cover foam, just the skirt flap). The following images illustrate the difference in the skirt length depending on the style of the spa, as discussed on page 1.



The second method is to measure the height of the acrylic shell edge instead of your existing cover. This is useful if you don't have your old cover on hand, or if you have a protruding rail and want the skirt to cover the rail or expose it.

Lay your builders square, ruler or a straight-edge along the top of the acrylic or spa shell, extending it over the edge. Then use your tape measure to measure from the underside of the square, ruler or straight-edge to the bottom edge of the acrylic/shell. It is normal for the cover skirt to hang slightly lower than the bottom of the acrylic edge.



EXAMPLE OF MEASUREMENT D

This example demonstrates a tape measure being used to measure from the underside of a ruler/straight-edge to the bottom of the shell. The minimum skirt length measures 25cm. It's advised to add a couple extra centimeters to this measurement for a slight overhang.