

KAI ZEN SPEED

PERFORMANCE DONE RIGHT

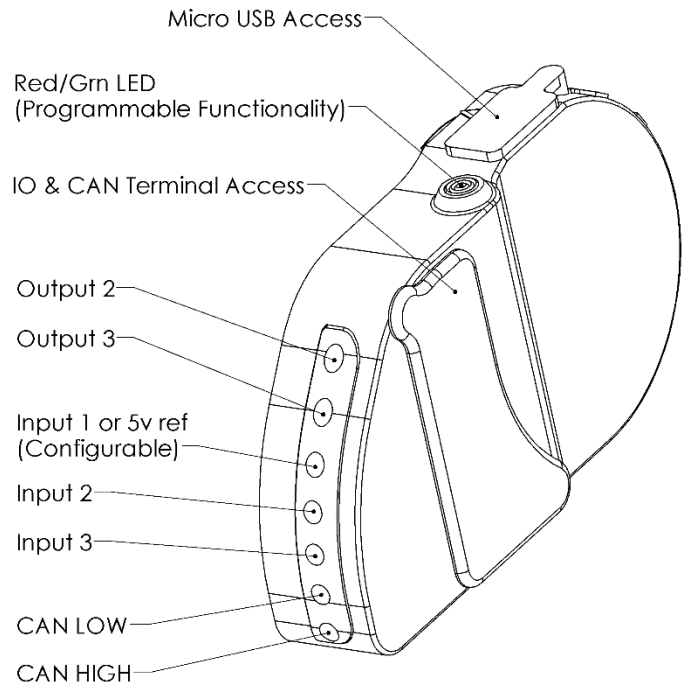
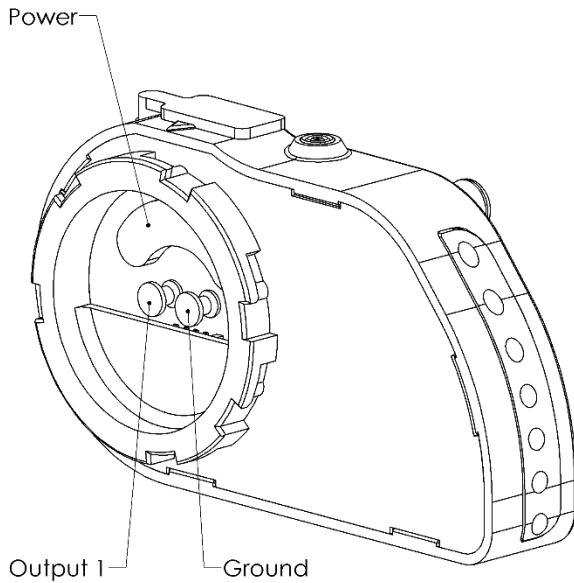


Control Module

PN: KAI-5051

Features:

- 3x Analog Inputs (Input 1 configurable for 5v sensor supply)
- 3x Programmable Outputs (PWM OK)
- Single CANbus
- Alternative use: 3-channel Analog-to-CAN



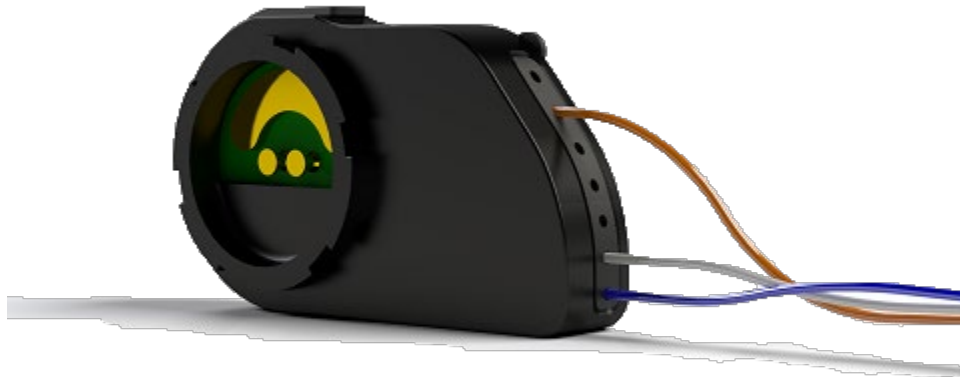
Plain English: The Control Module is a programmable relay controller that can control up to three relays. It accepts three analog inputs and has a single CANbus. Outputs are fully programmable based on any configuration of inputs.

Control Modules are powered by linking to Kaizen Relays and taking advantage of the pogo pin interface. They are programmed via micro USB, and can be installed without tools.

Operation:

To access the wiring terminals simply pick and rotate the access panel out of the way. To insert a wire; depress and hold until the wire is fully inserted, then release.

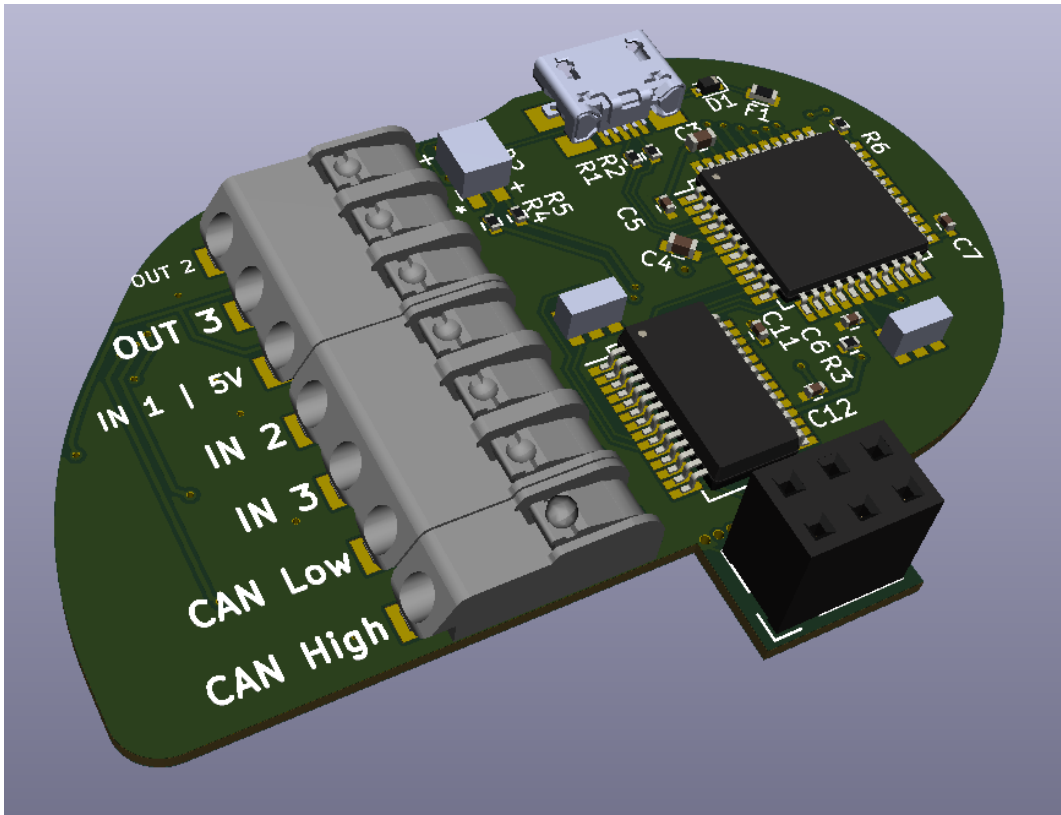
All Terminals: Strip .350" (9mm) and insert. **Note for Beta Users: This elastomer isn't very forgiving. 22 AWG tefzel is preferred (18 AWG MAX).*



Pinout

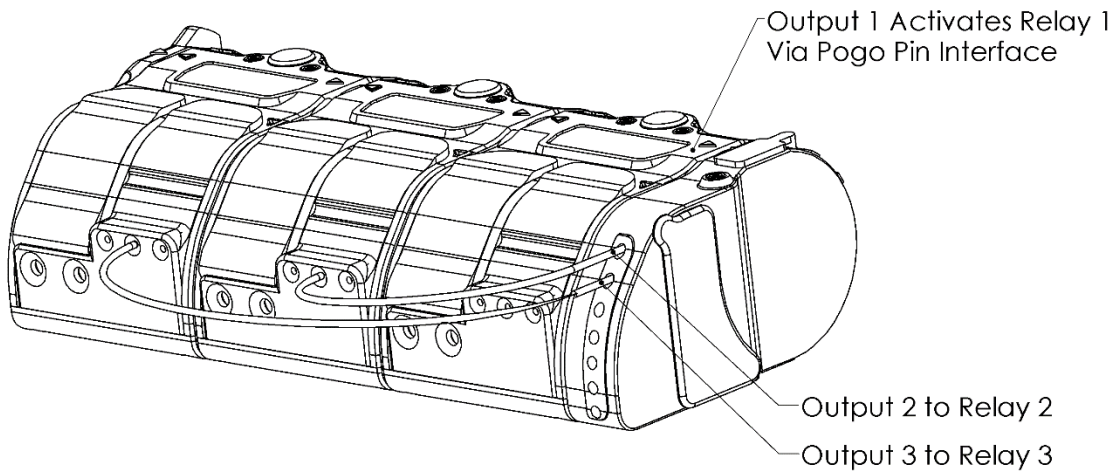
***Note: Output 1 is a Pogo Pin contact**

Pin	Description
1 (top)	Output 2 (low side)
2	Output 3 (low side)
3	Input 1 (accepts square wave pulsing inputs, can be configured to provide 5v)
4	Input 2 (accepts square wave pulsing inputs)
5	Input 3 (accepts square wave pulsing inputs)
6	Can LOW
7 (bottom)	CAN High



Wiring Example:

The Control Module will control the Kaizen Relay it's directly attached to without any external wires for power, ground or trigger. It's all done internally, enclosed by an o-ring seal.



Programming:



The programming interface is Arduino IDE software. It is available at [Arduino.cc](https://www.arduino.cc)

Programming is intended to be performed by us. Contact Vadim using the contact information provided to get started.