

ON + F1 SAFETY STROBE KIT

(KAI-5520)

INCLUDED:

- 1 - KAIZEN RELAY
 - 1 - PRE-PROGRAMMED CONTROL MODULE
 - 1 - WIRING SUPPLIES
-

WIRING:

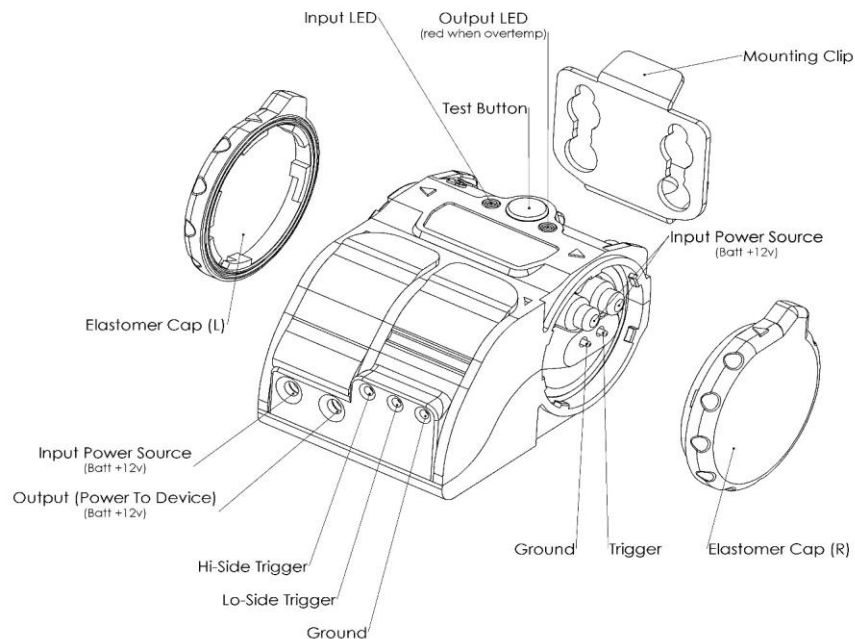
KAIZEN RELAY:

- **INPUT POWER SOURCE: + 12V FROM BATTERY**
- **OUTPUT: TO LIGHTS**
- **GROUND: CHASSIS GROUND**
- **LEAVE HI & LO-SIDE TRIGGER PLUGGED**

CONTROL MODULE:

- **INPUT 1: CONNECT THIS TO UPFITTER + 12V SWITCHED (THIS WILL TURN LIGHTS "ON" WITH SWITCH)**
 - **INPUT 2: CONNECT THIS TO UPFITTER + 12V SWITCHED (THIS WILL OVERRIDE SWITCH 1 AND MAKE LIGHTS STROBE LIKE AN F1 SAFETY VEHICLE)**
 - **LEAVE ALL OTHER PORTS PLUGGED**
-

KAIZEN RELAY:



CONTROL MODULE:

