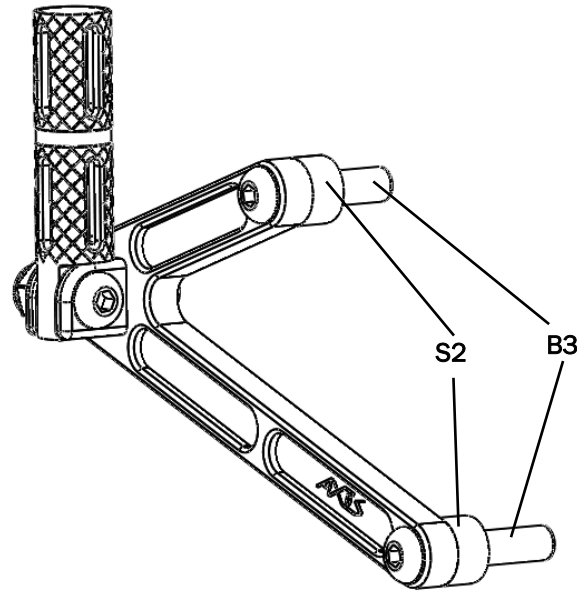


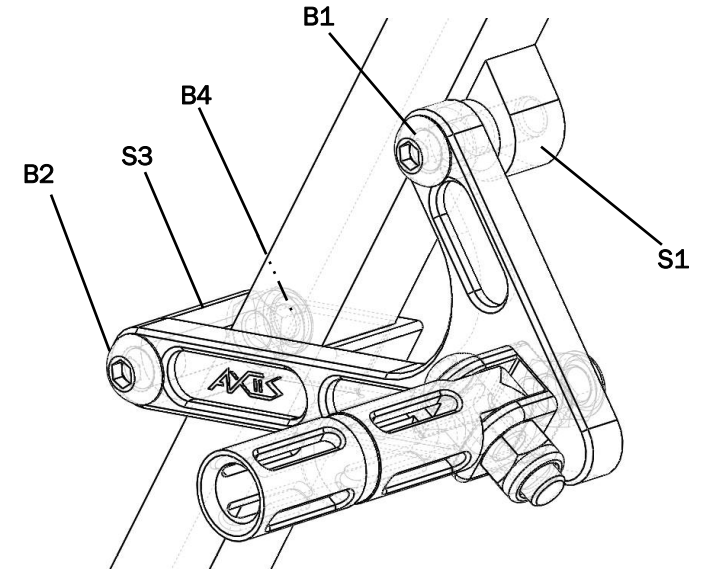


### Right Foot Peg



<b>B1</b> —M8x30	
<b>B2</b> —M8x35	
<b>B3</b> —M8x40	 x2
<b>B4</b> — M8 Nut	

### Left Foot Peg



<b>S1</b> —Spacer semi M8x16x6.5	
<b>S2</b> —Spacer M8x16x9	 x2
<b>S3</b> —Bracket	