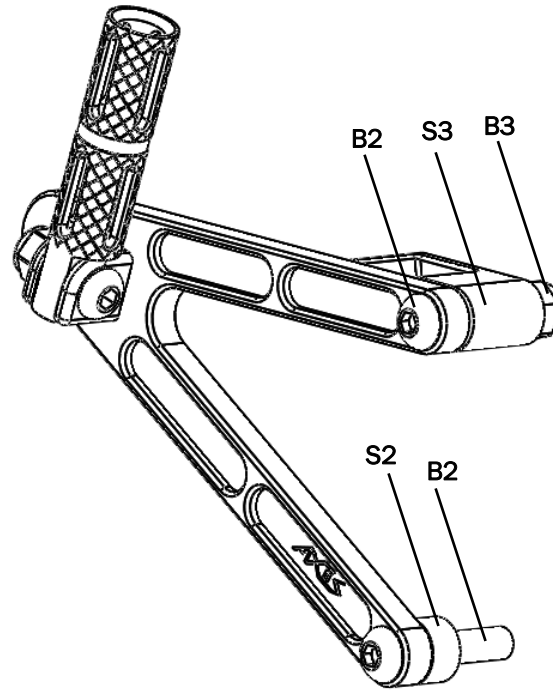


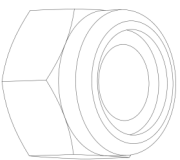
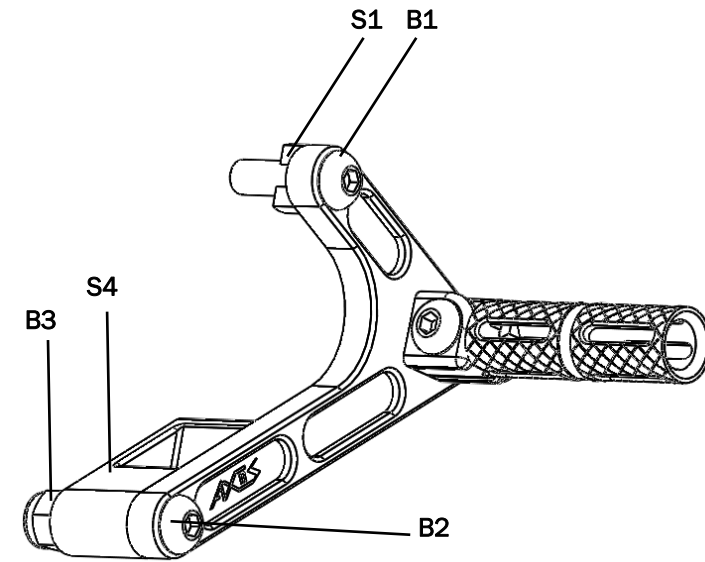




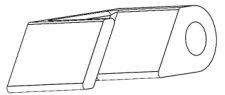
### Right Foot Peg



<b>B1</b> – Bolt M8x30	
<b>B2</b> – Bolt M8x40	 x3
<b>B3</b> – M8 Nut	 x2

### Left Foot Peg



<b>S1</b> – Spacer Semi M8x16x6.5	
<b>S2</b> – Spacer M8x16x9	
<b>S3</b> – Small Bracket	
<b>S4</b> – Big Bracket	