

User Manual

Designed for KTM EXC, SX, XC, SMR 2017 models made from a solid 7075-T6 aluminium block CNC machined with anodized finish.

Specifications

- Weight: 300g (pair)
- Resistance Test: 80kg for each peg
- Surface treatment: Silver anodized
- Average assembly time: 4:10
- Materials: Aluminum 7075-T6 Alloy, 8.8 Steel Grade and Stainless A2 Fasteners



AXIIS Engineering Art

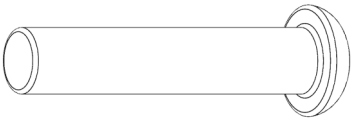



We aim to mark the motorcycle world building a brand of premium products.

www.axiis-ea.com

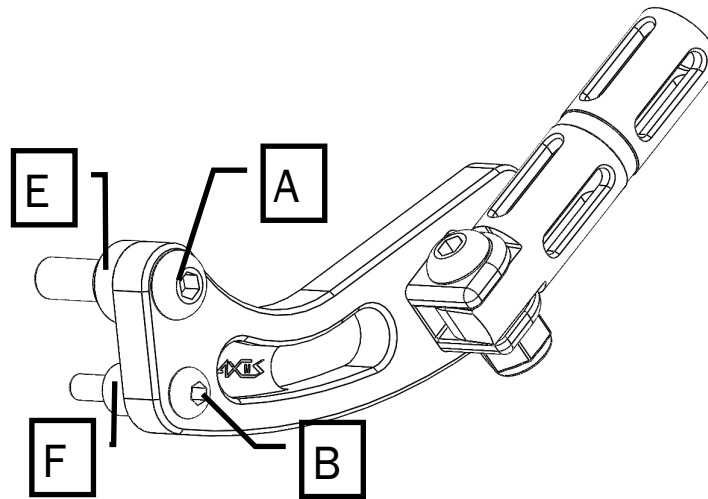
www.facebook.com/axiis.ea

axiis.info@gmail.com

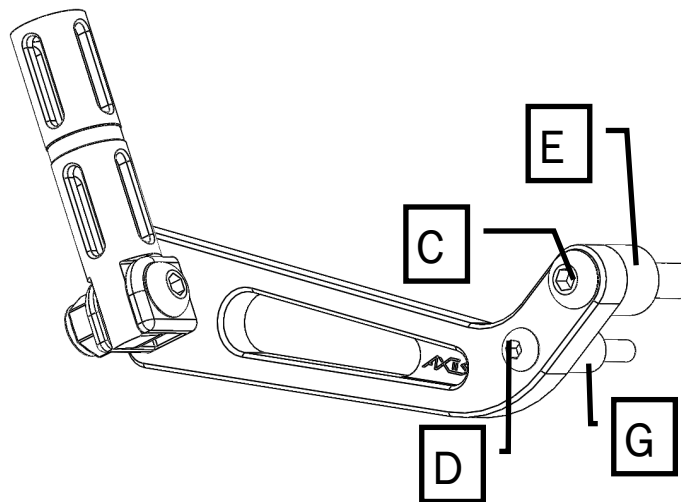


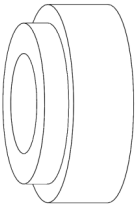
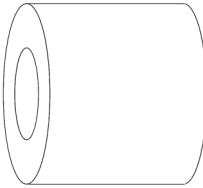
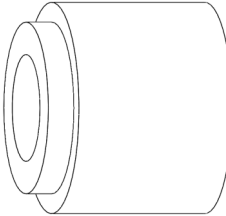
<p>A- M8 35mm Bolt (Qty 1)</p>	
<p>B- M5 30mm Bolt (Qty 1)</p>	
<p>C- M8 40mm Bolt (Qty 1)</p>	
<p>D- M5 40mm Bolt (Qty 1)</p>	

Left Foot Peg



Right Foot Peg



<p>E- Spacer Double M8X13X2_M8X16X5 (Qty1)</p>	
<p>F- Spacer M5X10X9 (Qty 1)</p>	
<p>E- Spacer Double M8X13X2_M8X16X12 (Qty 1)</p>	
<p>G- Spacer M5X10X16 (Qty 1)</p>	