

AXIIS Passenger Foot Pegs

Designed for some KTM EXC, SX and XC models, made from a solid 7075-T6 aluminium block CNC machined with anodized finish.

List of compatible models:

125 EXC (2008-2011)
200 EXC (2008-2011)
250 EXC (2008-2011)
300 EXC (2008-2011)

250 EXC-F (2008-2011)
450 EXC-F (2008-2011)
530 EXC-F (2008-2011)

125 SX (2007-2010)
144 SX (2007-2010)
150 SX (2007-2010)
250 SX (2007-2010)

250 SX-F (2007-2010)
350 SX-F (2007-2010)
450 SX-F (2007-2010)

150 XC (2008-2010)
250 XC (2008-2010)
300 XC (2008-2010)

200 XCW (2008-2010)
300 XCW (2008-2010)
450 XCW (2008-2010)
530 XCW (2008-2010)

250 XC-F (2008-2010)
350 XC-F (2008-2010)
450 XC-F (2008-2010)

250 XCF-W (2008-2010)
And others...

Specifications

- Weight: 380g (pair)
- Resistance Test: 105kg for each peg
- Surface treatment: Silver anodized
- Average assembly time: 4 min
- Materials: Aluminum 7075-T6 Alloy, Stainless Steel A2 Grade Fasteners



AXIIS Engineering Art

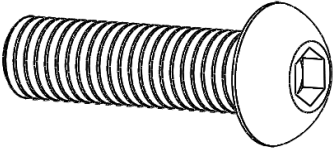
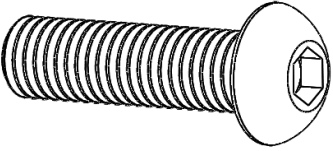
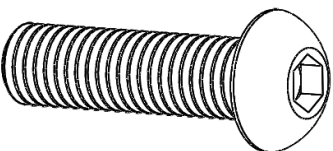

We aim to mark the motorcycle world building a brand of premium products.

www.axiis-ea.com

www.facebook.com/axiis.ea

axiis.info@gmail.com

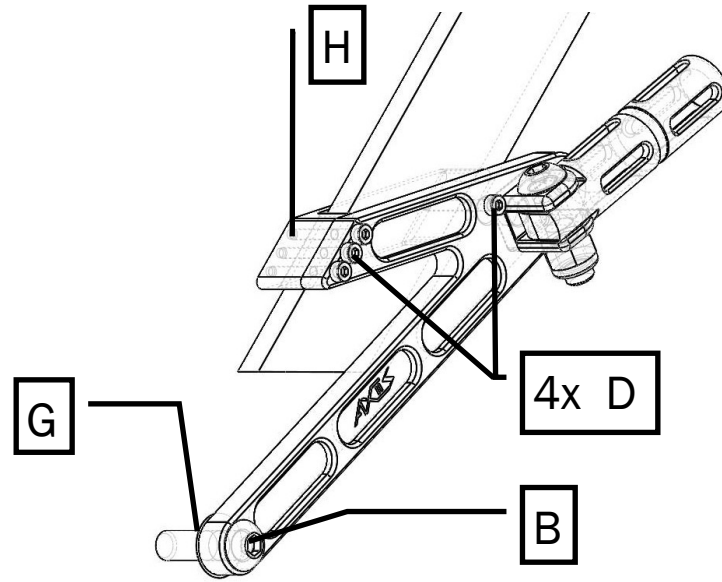


<p>A- Bolt M8 40mm</p> <p>(Qty 1)</p>	
<p>B- Bolt M8 30mm</p> <p>(Qty 1)</p>	
<p>C- Bolt M6 50mm</p> <p>(Qty 1)</p>	
<p>D- Bolt M3 25mm</p> <p>(Qty 4)</p>	

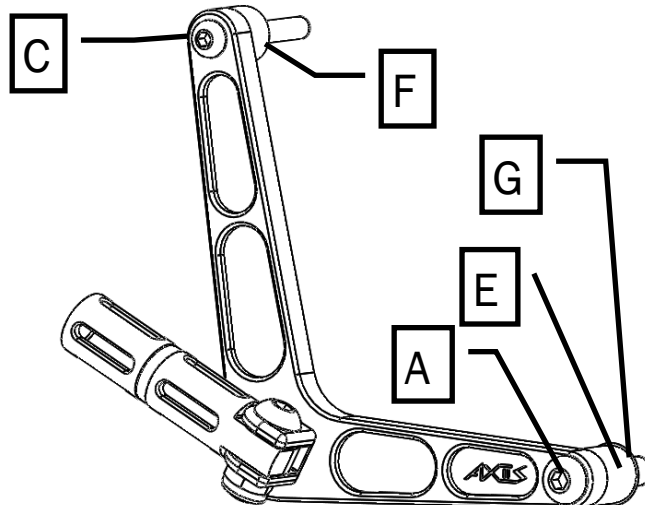
NOTE:

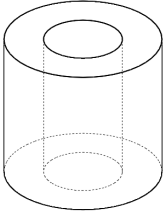
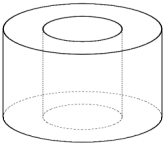
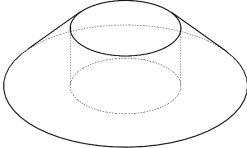
We recommend the removal of the side plastic that covers the exhaust and the frame as the passenger foot peg will be touching it.

Left Foot Peg



Right Foot Peg



<p>E- Spacer M8x16x16 mm</p> <p>(Qty 1)</p>	
<p>F- Spacer M8x16x10</p> <p>(Qty 1)</p>	
<p>G- Spacer Conic M8x17.75x4.75 mm</p> <p>(Qty 2)</p>	
<p>H- Bracket</p> <p>(Qty 1)</p>	