

AXIIS Passenger Foot Pegs

Made from a solid 7075-T6 aluminium block CNC machined with anodized finish.

Designed for the KTM models:

125 EXC (2012-2016)

200 EXC (2012-2016)

250 EXC (2012-2016)

300 EXC (2012-2016)

250 EXC-F (2012-2016)

350 EXC-F (2012-2016)

450 EXC-F (2012-2016)

500 EXC-F (2012-2016)

125 SX (2011-2015)

150 SX (2011-2015)

250 SX (2011-2016)

250 SX-F (2011-2015)

350 SX-F (2011-2015)

450 SX-F (2011-2015)

Others...

Specifications

- Weight: 390g (pair)
- Resistance Test: 105kg for each peg
- Surface treatment: Silver anodized
- Average assembly time: 4 min
- Materials: Aluminum 7075-T6 Alloy, Stainless Steel A2 Grade Fasteners



AXIIS Engineering Art

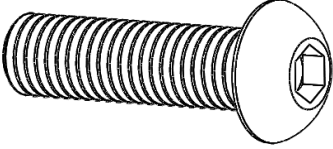
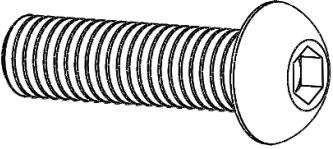
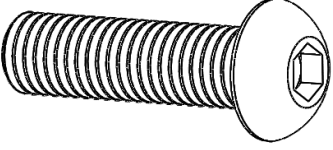

We aim to mark the motorcycle world building a brand of premium products.

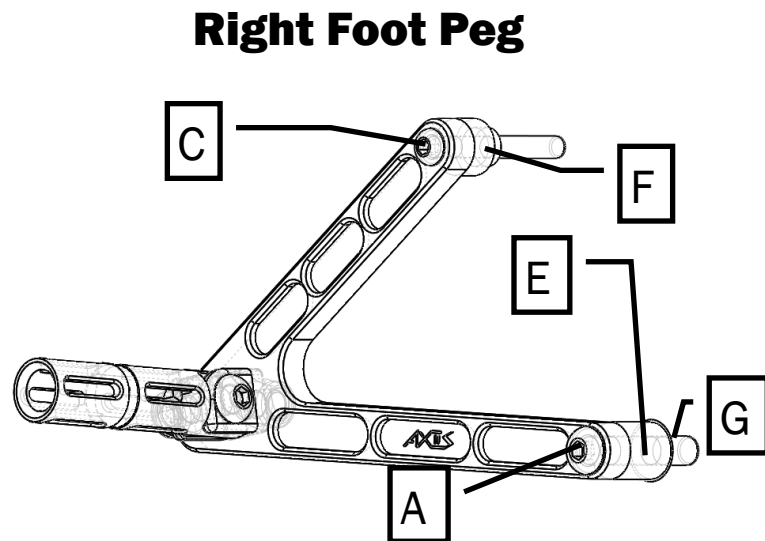
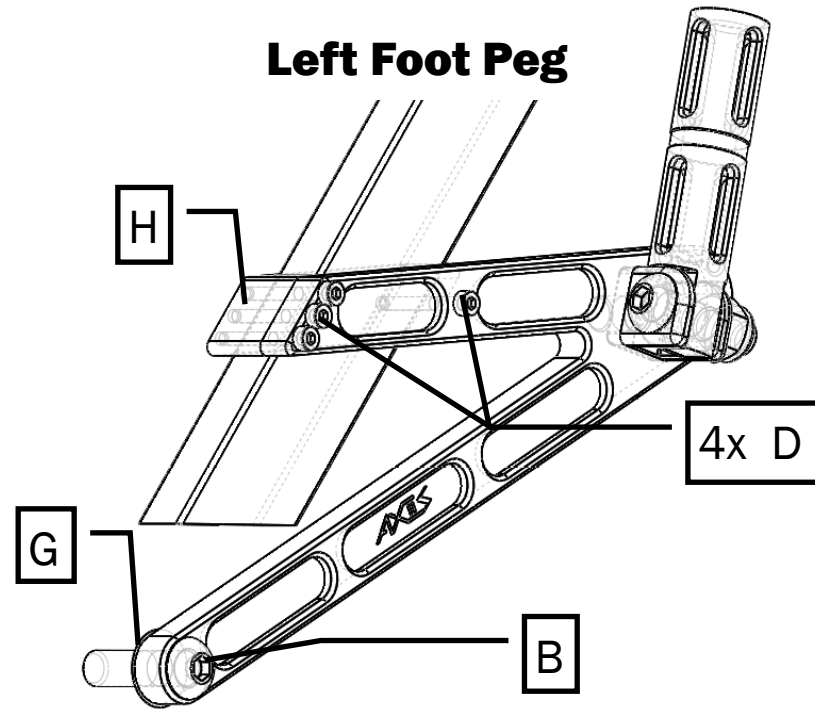
www.axiis-ea.com

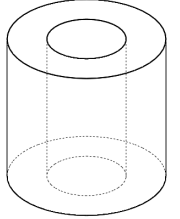
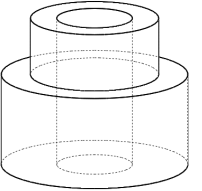
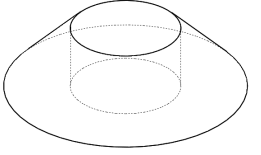
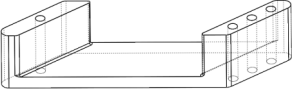
www.facebook.com/axiis.ea

axiis.info@gmail.com



<p>A- Bolt M8 40mm</p> <p>(Qty 1)</p>	
<p>B- Bolt M8 30mm</p> <p>(Qty 1)</p>	
<p>C- Bolt M6 50mm</p> <p>(Qty 1)</p>	
<p>D- Bolt M3 25mm</p> <p>(Qty 4)</p>	



<p>E- Spacer M8x16x16 mm</p> <p>(Qty 1)</p>	
<p>F- Spacer Double M6x16x8 m6x11x5 mm</p> <p>(Qty 1)</p>	
<p>G- Spacer Conic m8x17.75x4.75 mm</p> <p>(Qty 2)</p>	
<p>H- Bracket</p> <p>(Qty 1)</p>	

NOTE:

We recommend the removal of the side plastic that covers the exhaust and the frame as the passenger foot peg will be touching it.