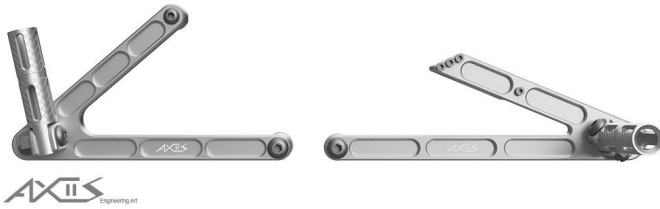


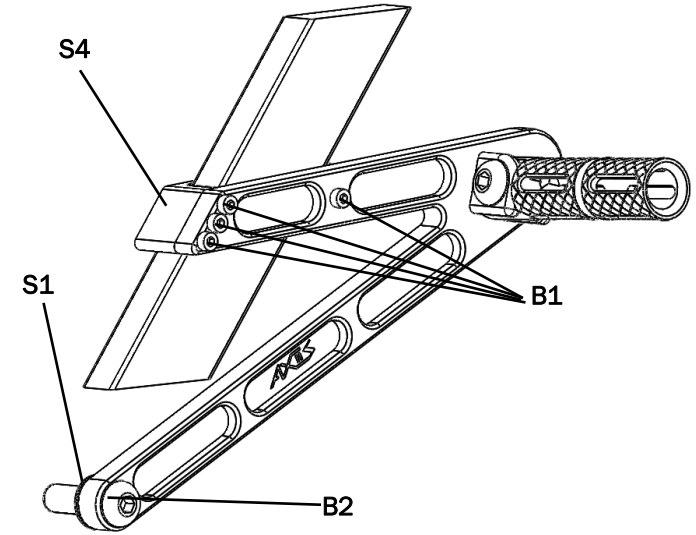
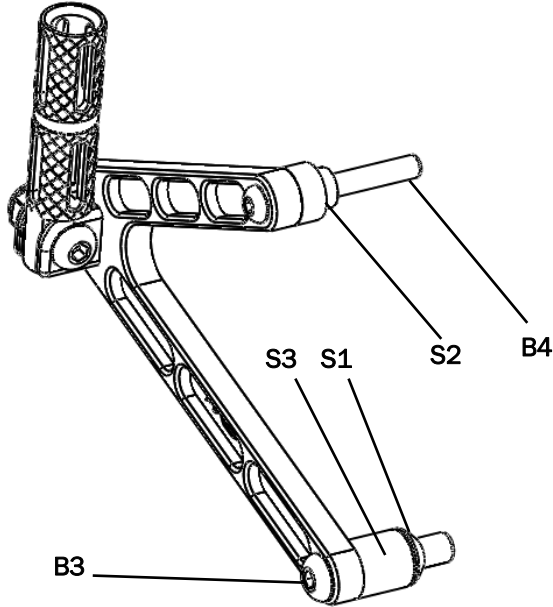
Right Foot Peg


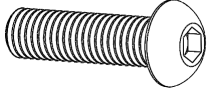
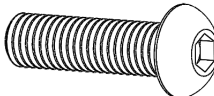
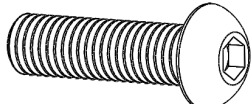
Left Foot Peg

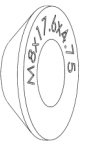
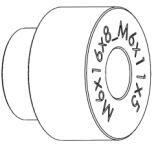



NOTE:

We recommend the removal of the side plastic that covers the exhaust and the frame as the passenger foot peg will be touching it.



B1- Bolt M3x25	 x4
B2- Bolt M6x50	
B3- Bolt M8x30	
B4- Bolt M8x40	

S1- Spacer Semi M8x17.6x4.75	 x2
S2- Spacer Double M6x16x8 M6x11x5	
S3- Spacer M8x16x16	
S4- Bracket	