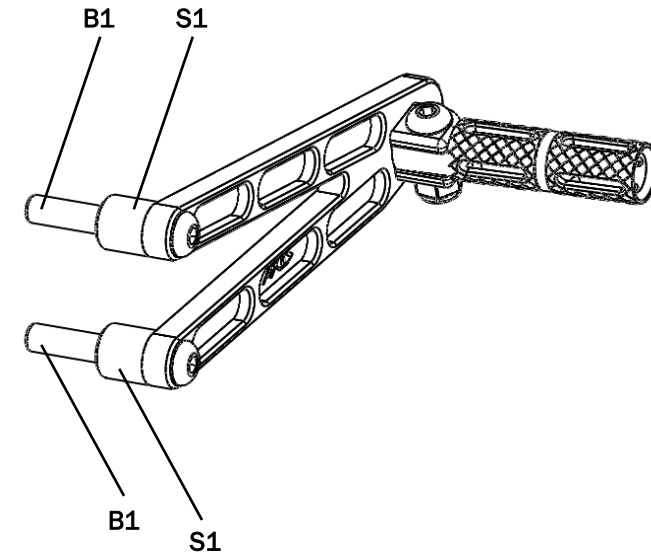
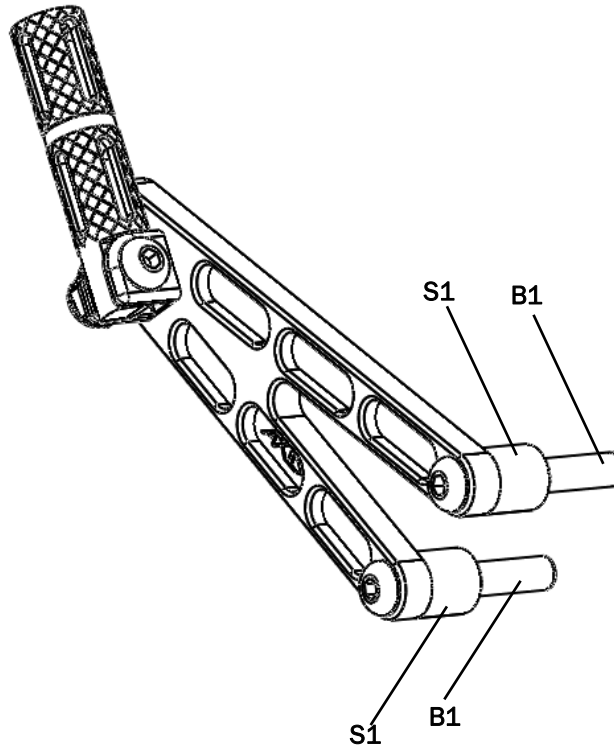

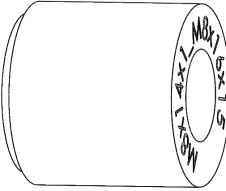


Right Foot Peg

Left Foot Peg



<p>B1—Bolt M8x50</p>	 <p>x4</p>
-----------------------------	--

<p>S1— Spacer Double M8x14x1 M8x16x15</p>	 <p>x4</p>
--	--