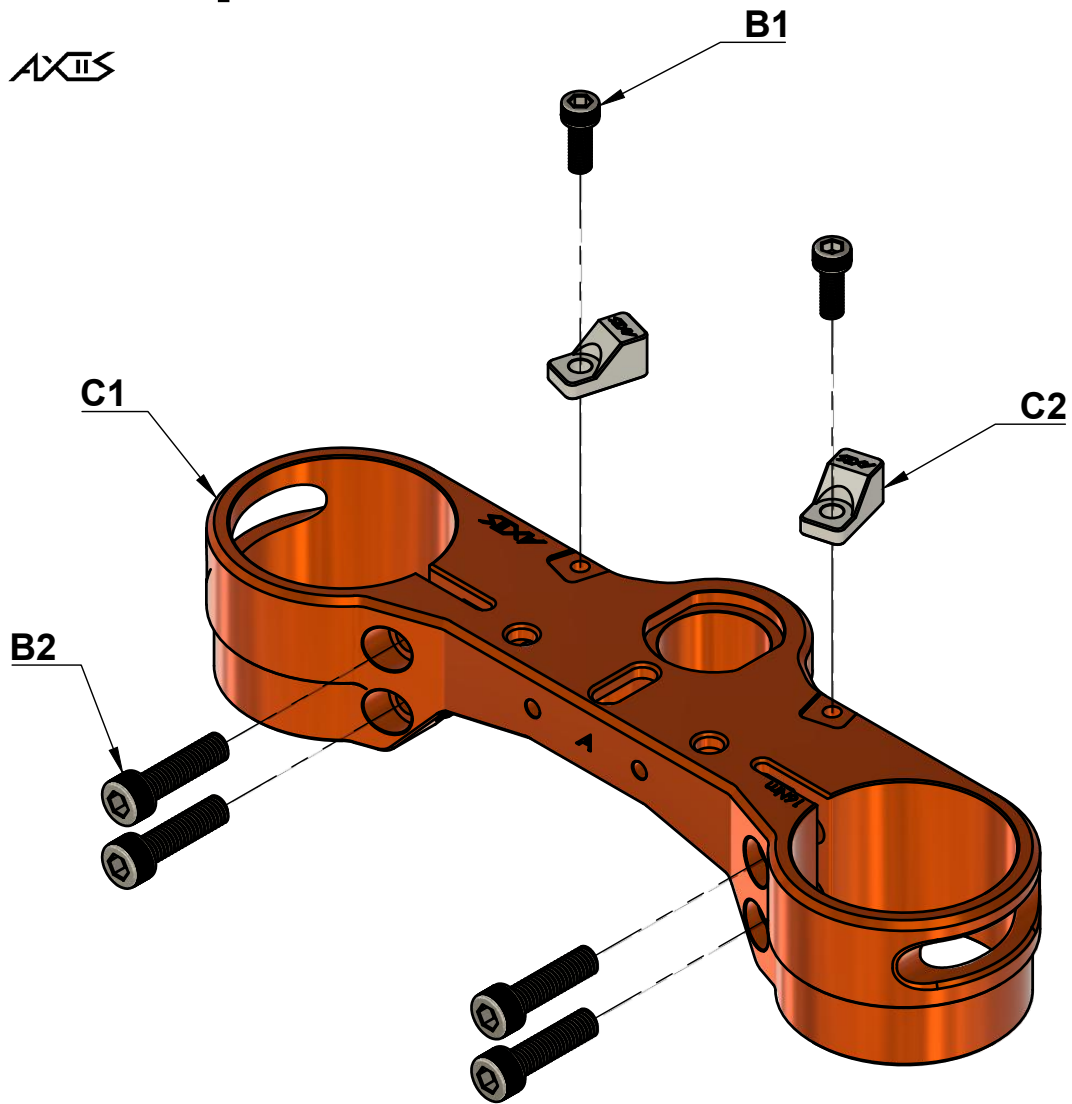


# Bottom Triple Clamp

AXIS



Part #	Size	Qty.
<b>B1</b>	M6x12	2
<b>B2</b>	M8x30	4

Part #	Component	Qty.
<b>C1</b>	Bottom Triple Clamp	1
<b>C2</b>	Stopper	2