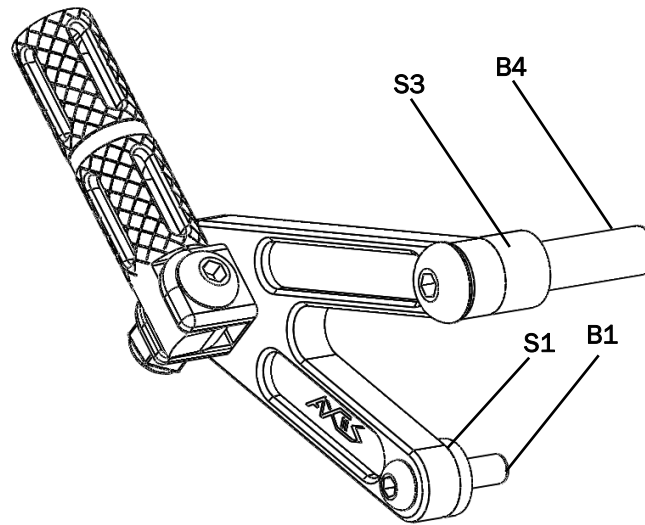









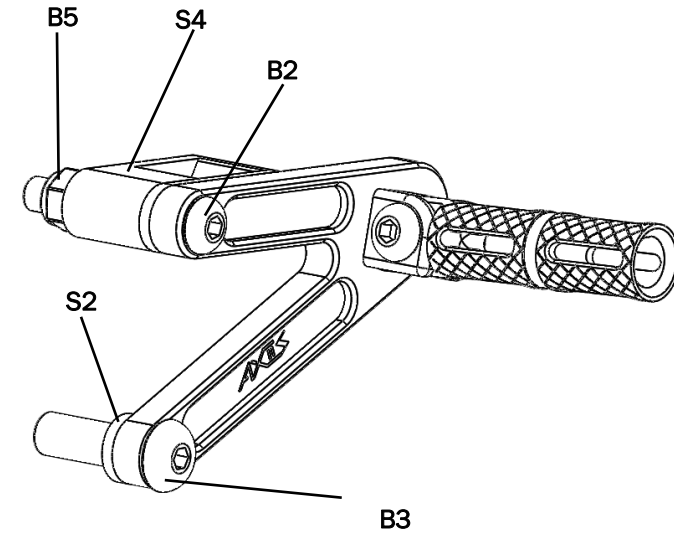
AXIS Engineering srl



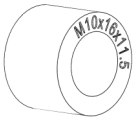
Right Foot Peg



B1- M6x25	
B2- M8x50	
B3- M10x35	
B4- M10x50	
B5- M8 Nut	

Left Foot Peg



S1- Spacer M6x16x3	
S2- Spacer M10x16x3	
S3- Spacer M10x16x11.5	
S4- Bracket	