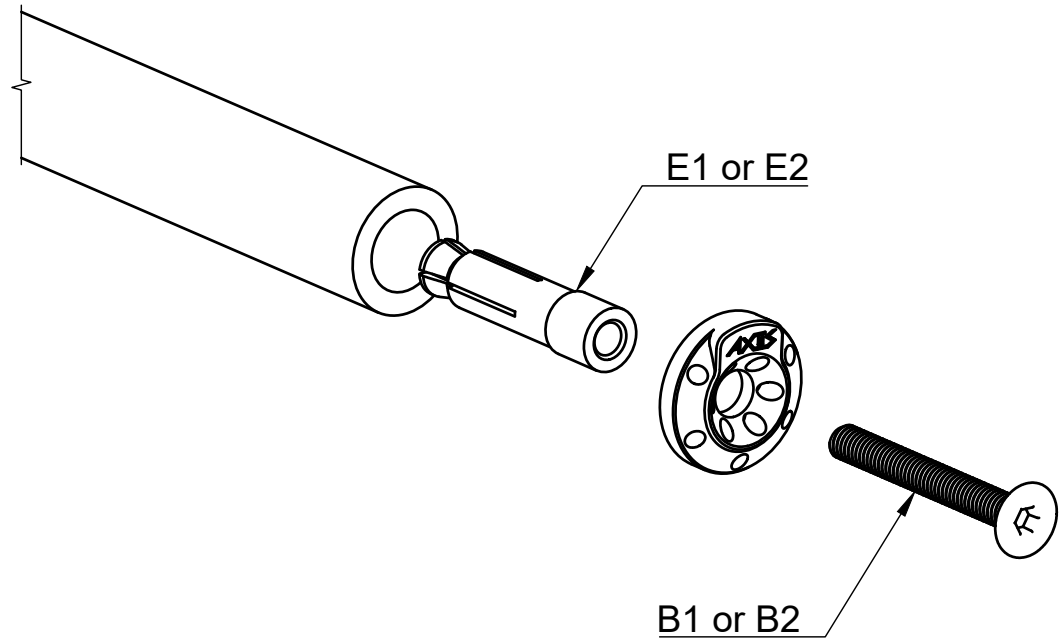
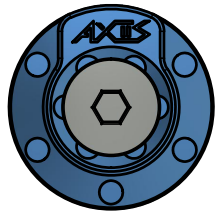
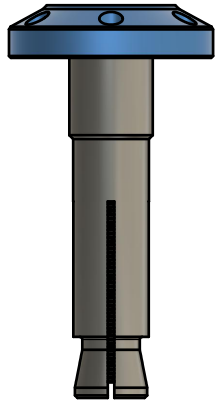
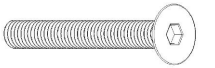
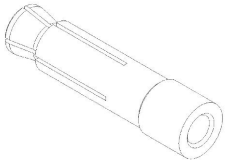
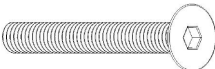


# BAR END



<p><b>B1</b> - M6 x 45</p>		<p><b>E1</b> - Expansion Anchor 11mm</p>	
<p><b>B2</b> - M8 x 55</p>		<p><b>E2</b> - Expansion Anchor 18mm</p>	