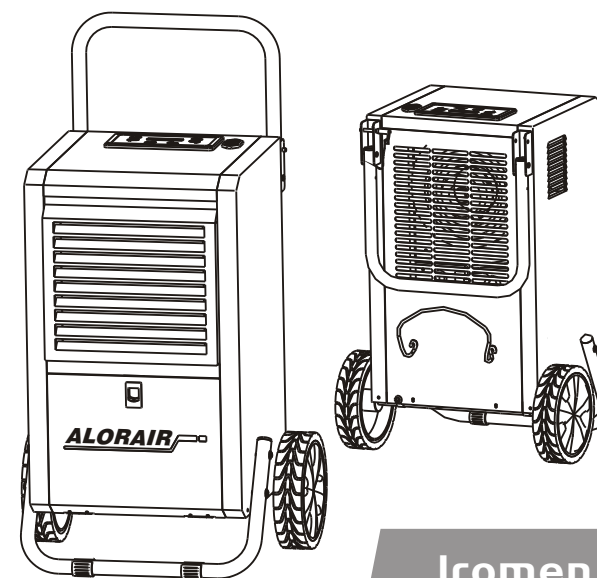




Registerate by scanning

— Restoration & Moisture & Ventilation —  
**ALORAIR**  
Installation and Operations Manual



Iromen 45L

**AlorAir Dehumidifiers**

E-mail: [sales@alorair.com](mailto:sales@alorair.com)

Add: North Carolina USA

## ※Safety Notes※

- The ALORAIR Series Dehumidifier must always be connected using a grounded electrical connection as required for all electrical appliances. The warranty is voided and all responsibility for the operation transfers to the owner if non-grounded wiring is utilized.
- The ALORAIR Dehumidifiers must be maintained and serviced by qualified technicians.
- The ALORAIR Dehumidifiers are intended for use only when the unit is installed in a level and upright position. Operating the unit in any other position could cause water to come in contact with the electrical components.
- Before moving the dehumidifier, turn off dehumidifier and allow pump to empty reservoir. (Or if unit is already off, press "P" button to confirm drain reservoir is empty). After the pump has finished operation, unplug the power cord and relocate unit to the desired position.
- If the inside of the unit has gotten wet for any reason, the unit should be opened and allowed to dry thoroughly before reconnecting to electric and restarting.
- For proper operation, neither the inlet or discharge should be positioned against a wall. A minimum of 12" clearance between unit and any obstruction is required.
- Do not insert any objects or fingers into the inlet or discharge.
- All work on unit should be done with the unit "off" and unplugged.
- Do not use water to clean unit exterior. Only use a damp cloth to clean exterior and always unplug the unit first.
- Do not use unit as shelf or device to hang clothes. This could cause damage to unit.
- Do not stand on machine.

## ※ Table of Contents ※

Features/Specs.....	01
Identification.....	01
Warning.....	02
Unit Overview.....	03
Operating instructions.....	04
Preparing the Unit for Use.....	11
Maintenance.....	12
Storing Your Dehumidifier.....	13
Troubleshooting.....	13
Warranty.....	14

## ※ Introduction ※

The machine through a vapor compression refrigeration principle , which can efficiently remove airborne moisture . Especially for the home , office and other space dehumidification range to prevent items from moisture , mildew , dry clothes can protect senior musical instruments, high-end furniture and other unaffected humid environment , to create a good living environment .

## ※ Features/Specifications ※

- Super Cop,2.7L/Kwh
- Low Sound Levels <50dBA
- Human handspike design
- Water Full protection
- Purification
- Timing
- Automatic humidistat control,Display Tube TEM
- The temperature control defrosting , more thorough, and more quick
- R410A Refrigerant
- Humidity can be fixed within 1%
- Large Water trunk
- Self-Checking Function
- Big Shock-proof Wheels
- Memory starting

**Note:** This dehumidification capacity is at room temperature 30 °C, relative humidity of 80% income test conditions

## Identification:

For future reference, write down the model, serial number, and date of purchase so you can identify your unit when seeking assistance. NOTE: data label on back of unit includes serial number.

**Model Number** Ironmen 45L

**Serial Number** \_\_\_\_\_ **Date of Purchase** \_\_\_\_\_

### Customer Service:

For additional questions concerning the operation of your dehumidifier,

please:

Contact your installing contractor

Email: sales@alorair.com

### Installation:

**WARNING!** 240 Volts AC may cause serious injury from electric shock.

- 1. Disconnect electrical power before servicing
- 2. Only plug unit into grounded electrical outlet
- 3. Do not use extension cord
- 4. Do not use plug adapter

**Power Supply:** 220V, 50 Hz AC Only 1 Phase

**Outlet Requirement:** 3-Prong, GFI

**Circuit Protector:** 15 Amp Time Delay Fuse or Circuit Breaker

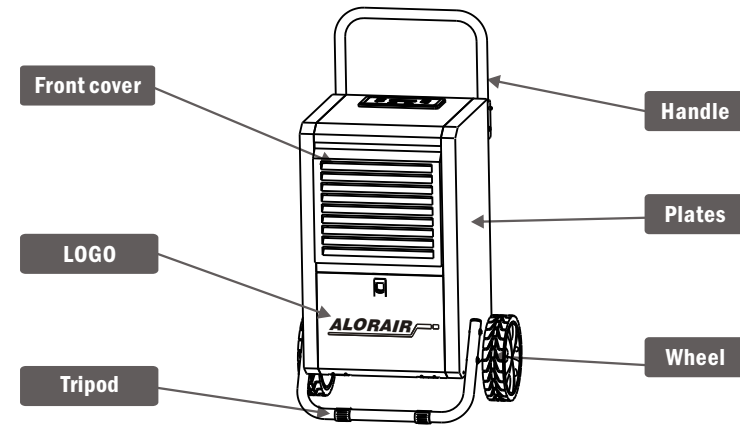


When using this machine , please note the following safety warnings :

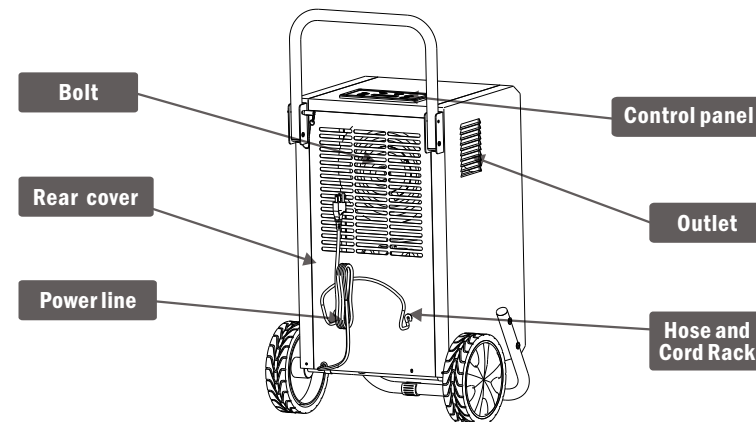
- 1. Unplug when cleaning or storing this dehumidifier .
- 2. Do not immerse the machine in water or near water .
- 3. Do not place the machine near a heating device or flammable dangerous place.
- 4. Do not put your fingers or other objects into the outlet or plug the outlet .
- 5. Do not sit on this machine table .
- 6. Follow the requirements of the tank to drain .
- 7. Before moving the machine , use the manual drain key discharged within consuming water.
- 8. Do not use this machine in a sealed environment to avoid fire.
- 9. Make sure the condensate drain down the installation so that you can continue to be excluded .
- 10. If the power cord is damaged, you buy the same specifications of the power line to be replaced.

### ※ Unit Overview ※

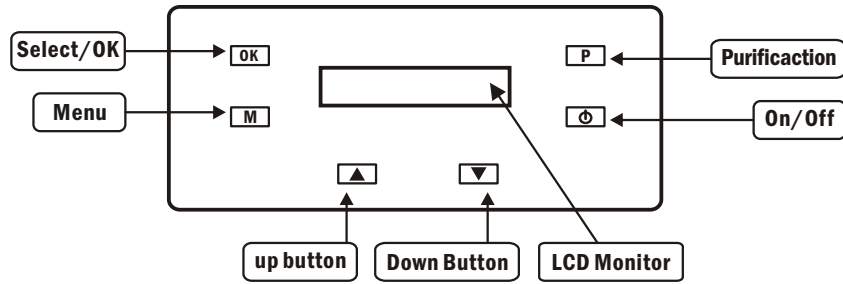
#### ※ Front View



#### ※ Rear View



## ※ Operating instructions ※



## ※ Control Panel Operation ※

### 1. ON/Off Button

Press this button, and the machine will start running. Press this key again and the machine will stop running. **NOTE: When unit is turned off, the fan will run for 1 minute prior to shutting off.**

### 2. Purification Button

Press air purification function is activated, the compressor does not work after entering the mode, the fan work, timing, temperature scale, and set the humidity effective

### 3. Menu Button

Pressing the Menu (M) button, gives you the options to select between two different control modes as well as adjust the temperature measurement units. Continue pressing the M button until you get to your desired selection. Press the Select (OK) key to confirm that selection and move to a submenu.

After you've completed your task select "R" then press the select (OK) button to move back to Previous Menu, or wait for 10 S for automatically returning to main screen.

Four selections are available:

**Humidity Setting: Adjust the humidity setpoint**

**Timer setting:** Timing for the start/Timing Shutdown/Cycle Timing

**Temperature Scale Switch:** Degrees Celsius or Fahrenheit selection

**Return:** Return to display the main page

NOTE: See Section 8 for more detailed programming instructions.

### 4. Select/OK Button

Use to confirm a selection.

### 5. UP Button Down Button

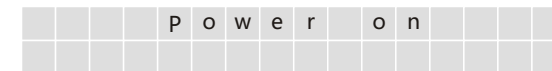
These buttons are used for adjusting humidity or timer settings.

### 6. LCD monitor

When the unit is running, the LCD monitor will go dark if no buttons are pushed. Push any button once to light monitor.

### 7. LCD display function

( 1 ) Show Power On when the machine has already connected but not started.



( 2 ) Show Unit On when the machine in working status (This display will disappear in 2 seconds and then the next screen will appear.)



( 3 ) The LCD interface shows two lines of data. The first line displays the room temperature and humidity. On the second line, Job T (working time) and Humidity Setpoint are displayed on an alternating basis.



The contents of the second line alternate every 10 sec.

or  
 J o b · T 0 0 : 0 5  
 H u m i · s e t 5 0 %

( 4 ) When you press the Power Off button, two lines of data will be displayed. The top line will read "Unit Off" . The bottom line will read "DRAINING" for approximately 14 seconds while the pump is emptied.

U n i t O f f  
 D r a i n i n g

Once the pump reservoir is drained, the contents second line in turn show job hours and total hours alternating every 10 seconds for approximately 1 minute while the fan completes its final cycle. At this point.

or  
 J o b · T 0 0 : 0 5  
 L i f e · H 0 0 8 9

( 5 ) Show Defrosting when the machine is in defrosting mode. Defrosting is the display priority.

I n l e t 3 2 ° C 7 6 %  
 D e f r o s t i n g

( 6 ) Second line of display will rotate through several screens depending on setup.

U n i t O f f

Second screen display options:

or  
 J o b · T 0 0 : 0 5  
 L i f e · H 0 0 8 9

Time remaining to Auto opening

T i m e O n 0 0 : 0 5

Time remaining to Auto Closing

T i m e O f f 0 0 : 0 5

Time remaining to circulate status

I 0 0 : 1 0 O 0 0 : 1 0

( 7 ) Air purifiers work status

1) Display : Power On ( powered on ) The second line shows : Purify ( purification ) . After power Press )

P o w e r o n  
 P u r i f y

2) The machine work is displayed : Purify On ( removal start ) , ( 2 seconds after the display disappears after displaying the main interface )

P u r i f y o n

3) The main screen displays : the first line , Inlet 20 °C 60% ( inlet air temperature (in default °C), into the wind and humidity ) , the second line , purifying ( purification ) .

I n l e t 3 2 ° C 7 6 %

Second screen display options:

Or set humidity P u r i f y i n g

H u m i · S e t 3 5 %

or

J o b · T 0 0 : 0 4

Turn off the machine after the show : purif off ( purification closed )

P u r i f y o f f

Second screen display options:

or 

J	o	b	.	T				0	0	:	0	0
---	---	---	---	---	--	--	--	---	---	---	---	---

or 

L	i	f	e	.	H					0	0	0	0
---	---	---	---	---	---	--	--	--	--	---	---	---	---

**8. Operation and Display**

**Note:** As long as the machine is plugged into power, the settings can be changed. The unit does not have to be operating to change setup.

**(1) The Humidity Setting (Humid)**

a. Press the Menu (M) button. The screen shows:

	H	u	m	i	d		T	i	m	e	r	
	T	e	m	p	U							R

b. Press the M button until "Humid" is flashing. Press "OK" to select this option. The screen shows:

	H	u	m	i	d	S	e	t	t	i	n	g	
	3	5	%										R

d. Press the menu key until the humidity level (bottom left of display) is flashing (it will either say "Co" for continuous or a number for a specific percentage).

e. Use the Up or Down buttons to set the machine to your desired level. Press the OK Button when finished. The cursor automatically moves to R which will be flashing. Press OK to confirm or wait 10 seconds and you will automatically return to main screen.

**(2) Timer Settings (Timer)**

This selection allows you to set a timer for the unit to turn on or turn off. You can also set up cycle timing, which allows you to set up and repeating cycle of specific on and off durations.

a. Press the menu key several times until the Timer button is flashing. Press OK button to confirm this option.

	H	u	m	i	d		T	i	m	e	r	
	T	e	m	p	U							R

b. Press the Menu key unit TempU flashes. Press OK to select.

c. The screen shows: T.on, T.off, T.I/O, R

	T	.	o	n		T	.	o	f	f	
	T	.	I	/	O						R

"T.on" – Unit will start when timer expires

"T.off" – Unit will stop when timer expires

"T.I/O" – Unit will cycle "on" and "off" based on the set time. If unit is off, the cycling will start with unit "off" . If unit is on, the cycling will start with the unit "on."

d. Press the menu key, move into cursor to function you prefer.

**1) Start Time (T.on Selection)**

a. Press to confirm key. The screen runs as follows, the first 00 positions (flashes) at the same time.

			T	i	m	e	r		O	n		
			0	0	:	0	0		O	f	f	R

b. Press Up and Down key, the first position number from 00-24 variety, choose an hour number. Press to confirm key to make selection the number.

d. After, the next number position automatically flashes (minute position). Once the correct time is displayed, press to OK key to make selection the number.

e. The OFF button will now flash. Press OK one more time, the OFF will switch to ON and the timer is now set.

**2) Shut Off Time (T.off Selection). Unit will run for designated time and then turn off.**

a. Press the M button until the T.off button is flashing. Press OK to confirm.

b. Set timer as above.

**3) Cycling Timer (T.I/O Selection)**

The third selection, T.I/O, lets you set up the machine to cycle on and off during a specific time frame. For example, you could set the unit to run 8 hours a day and remain off the other 16 hours. Note: You are selecting on and off periods of time, not set clock times.

- a. Press the M button until the T.I/O selection is flashing. Press OK button to select.
- b. Use the up and down arrows to adjust the hours and minute of the first cycle.
- c. Use the M button to move from 1st line of display to second and adjust second time period with up and down buttons.
- d. Press the OK button to confirm the time. (Flashing OFF will turn to ON).

**(3) Temperature scale set**

This selection allows you to switch the machine from displaying temperature in degrees Celsius to degrees Fahrenheit.

- a. Press the menu key. The screen shows: Humid, Timer, TempU, R.

		H	u	m	i	d		T	i	m	e	r		
		T	e	m	p	U								R

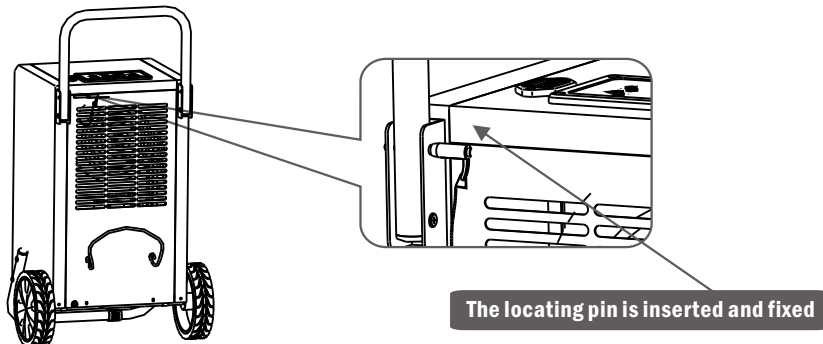
- b. Press the Menu key unit TempU flashes. Press OK to select.
- c. The screen shows: Celsius degree °C on/off and Fahrenheit degree the °F off/on.

		T	e	m	p	U		S	e	t	t	i	n	g	
				O	n			°	F		O	f	f		R

- d. Press the menu key to move the cursor to the °C on/off or °F off/on (flashes).
- e. Press to confirm key. The on/off status of C and F will exchange.

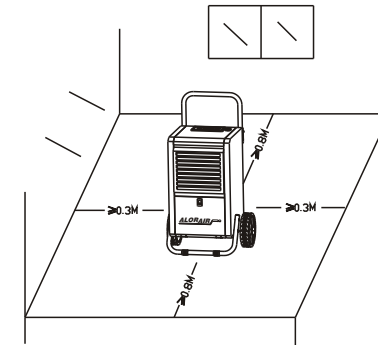
**9. Handlebar Mounting**

Handle rotates 180°, after aligning with locating pin holes will be fixed.

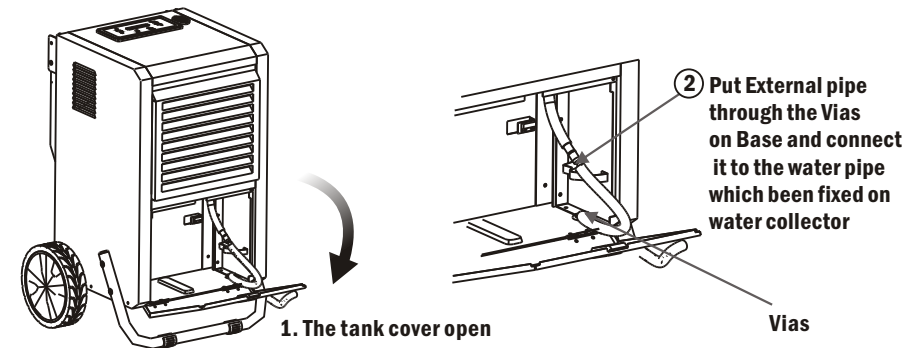


**※ Preparing the Unit for Use ※**

(1) The position will be placed in the following figure the machine can take advantage of machine performance.



(2) In order to avoid the repeated water tank caring, it is in strongly recommendation that to extend the draining to ground if this unit would in long term running. If the outlet pipe get wrapped or deflated, it would result in bad water flow and even cause dead machine.



(3) Insert the power cord to matched socket safely and reliably.



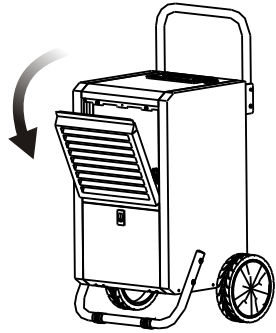
## ※ Maintenance and Repair ※

### 1. Exterior Cleaning

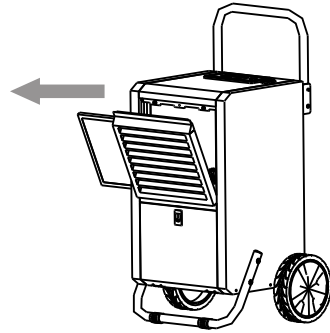
Use a soft, slightly damp cloth to wipe the plastic body.

### 2. Filter cleaning

#### a. out of the filter



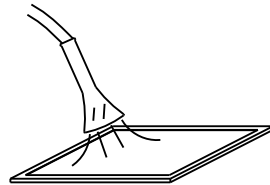
1) Open the air intake frame



2) Out of the filter

#### b. Clean the filter

Using a vacuum cleaner to gently absorb dust filter surface, if the filter is very dirty, with a brush to brush off surface dirt.

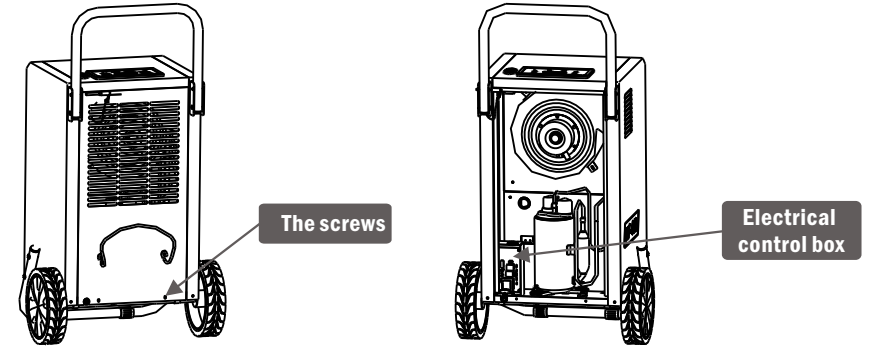


## ※ Maintenance

**Warning-Always Unplug Unit Prior To Performing Any Maintenance!**

### 1. Electronic Control Maintenance

The fixing screws on the rear panel of the machine is removed



## ※ Storing Your Dehumidifier ※

If the unit will be stored for an extended period of time:

1. Turn unit off and allow to dry.
2. Manually drain pump reservoir.
3. Wrap and secure the power cord.
4. Clean the filter mesh.
5. Store in clean, dry environment.

## ※ Troubleshooting ※

Trouble	cause	Solution
<b>Machine Won't Work/ Display is Blank</b>	Display Blank. Power outage or poor connection	Check Power Supply Check both ends of power cord for good connection
	Room temperature whether in 5°C~35°C this inner?	Place unit on flat surface in vertical orientation
<b>Cannot start the dehumidifier</b>	Filter mesh is clogged	Clean the filter
	Air inlet or outlet jammed	Clear the blockage from air inlet or air outlet
<b>No Airflow</b>	Filter mesh jammed	Clean the filter
<b>Loud/Unusual Noise</b>	Unit is not level	Place unit on flat surface in vertical orientation

<b>Loud/Unusual Noise</b>	Filter mesh jammed	Clean the filter
<b>Trouble code:E1</b>	Humidity Sensor or communication error	Check sensor cable is properly connected.Replace the Sensor
<b>Trouble code:E4</b>	Water Full Protection	The water tank float tank drained or re-install the float switch normal contact
<b>Trouble code:L0</b>	Unit sensing room temperature below 33°F	Increase room temperature Check Sensor Check Sensor Cable
<b>Trouble code:HI</b>	Unit sensing room temperature above 100°F	Decrease room temperature Check Sensor Check Sensor Cable
<b>Trouble code:E1.L0.HI</b>	Shows E1, L0,HI at the same time indicated a bad connection, cable or sensor	Check Cable connection Replace Cable Replace Sensor

### ❖ Warranty ❖

Seller warrants the equipment to be free from defects in workmanship and materials for a period of 12 months after shipment (60 months/5 years on compressor, evaporator and condenser). This warranty is limited, however, to the repair or replacement of defective equipment. If it is necessary to return unit for service, customer is solely responsible for proper packaging, transportation costs. Customer must initiate warranty process by contacting factory. Do not send any component or product back to factory without Return Material Authorization.

This limited warranty does not apply to any part or component that is damaged in transit or when handling, has been subject to misuse, corrosion, chemicals, acts of God has not been installed, operated or serviced according to the Seller’s instructions, or has been operated beyond the factory-rated capacity or has been altered in any way. Routine maintenance is not covered by this warranty.

Seller’s liability is limited to replacement of defective parts or components and does not

include any cost of labor (including, but not limited to, labor to remove and/or reinstall any defective part), refrigerant or piping. Customer may elect to have unit fixed locally in which case required replacement parts will be sent to customer at customer’s expense.

ALORAIR shall not be responsible for loss of use of any product, loss of time, inconvenience, or damage to other equipment, or any other indirect or consequential damage with respect to property whether as a result of breach of warranty, neglect, or otherwise.

**THE WARRANTIES AND LIABILITIES SET FORTH ARE IN LIEU OF ALL OTHER WARRANTIES EXPRESSED OR IMPLIED, IN LAW OR IN FACT, INCLUDING IMPLIED WARRANTIES OF MERCHANTABILITY AND FITNESS FOR PARTICULAR PURPOSE.**

ALORAIR’s total liability, regardless of nature of claim shall not exceed original purchase price of the product. If a product or component is replaced while under warranty, the applicable warranty period shall not be extended beyond the original warranty time period.

The foregoing shall constitute the total liability of seller in the case of defective performance of all or any of the equipment or services provided to Buyer. Buyer agrees to accept and hereby accepts the foregoing as the sole and exclusive remedy for any breach or alleged breach of warranty by Seller.