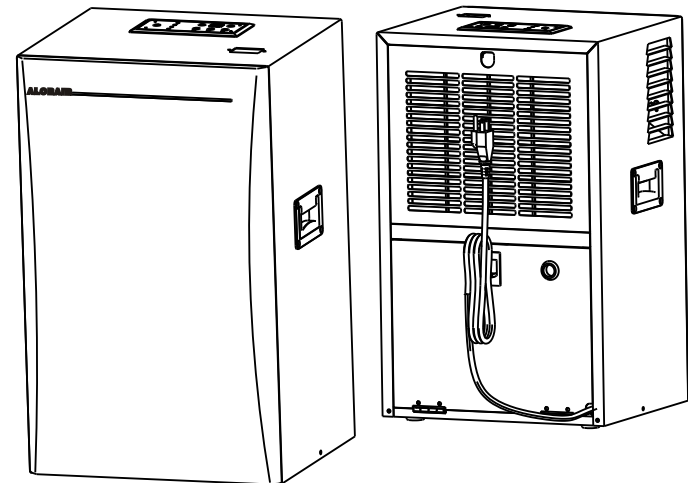




Register by scanning



Installation and Operations Manual



Ironman28L-A

AlorAir Dehumidifiers

E-mail: sales@alorair.com

Add: North Carolina USA

※Table of Contents※

Introduction.....	01
Specifications.....	01
Notice priorities.....	02
Operation Panel.....	03
Preparing the Unit for Use.....	05
Use Instructions.....	06
Maintenance.....	08
Troubleshooting.....	09
Warranty.....	10

※Introduction※

The machine through a vapor compression refrigeration principle , which can efficiently remove airborne moisture . Especially for the home , office and other space dehumidification range to prevent items from moisture , mildew , dry clothes can protect senior musical instruments, high-end furniture and other unaffected humid environment , to create a good living environment is a good helper .

※Features/Specifications※

- Super Cop,3.0L/Kwh
- Low Sound Levels <45dBA
- Human handspike design
- Water Full protection
- Purification
- Timing
- Automatic humidistat control,Display Tube TEM
- R410a Refrigerant
- Humidity can be fixed within 1%
- large Water trunk
- Self-Checking Function
- Universal Wheel
- Memory starting
- The temperature control defrosting , more thorough, and more quick

Note: This dehumidification capacity is at room temperature 30 °C, relative humidity of 80% income test conditions

Identification:

For future reference, write down the model, serial number, and date of purchase so you can identify your unit when seeking assistance. NOTE: data label on back of unit includes serial number.

Model Number Ironmen 28L-A

Serial Number _____ **Date of Purchase** _____

Customer Service:

For additional questions concerning the operation of your dehumidifier,

Installation:

WARNING! 240 Volts AC may cause serious injury from electric shock.

1. Disconnect electrical power before servicing
2. Only plug unit into grounded electrical outlet
3. Do not use extension cord
4. Do not use plug adapter

Power Supply: 220V, 50 Hz AC Only 1 Phase

Outlet Requirement: 3-Prong, GFI

Circuit Protector: 15 Amp Time Delay Fuse or Circuit Breaker



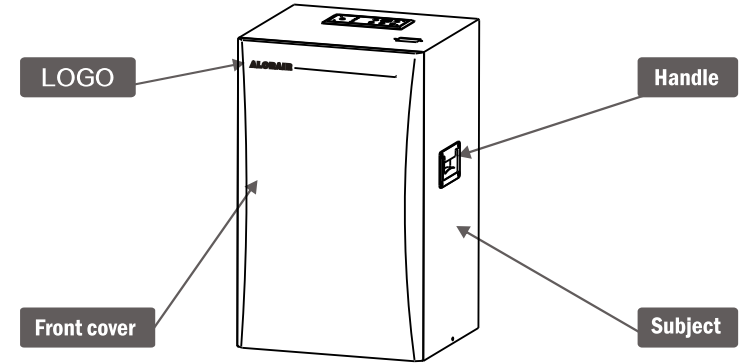
WARNING

When using this machine , please note the following safety warnings :

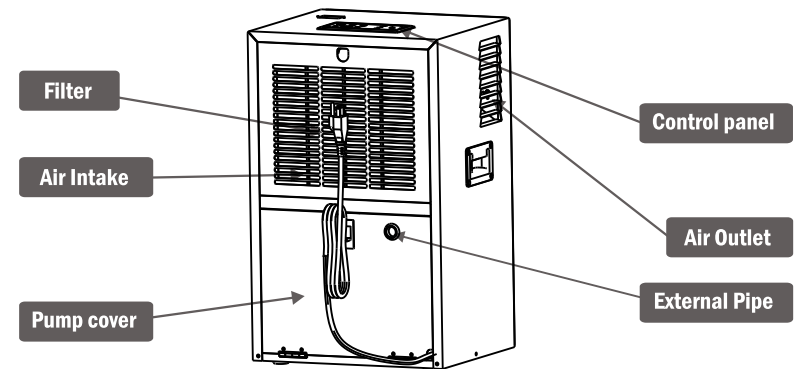
1. Unplug when cleaning or storing this dehumidifier .
2. Do not immerse the machine in water or near water .
3. Do not place the machine near a heating device or flammable dangerous place.
4. Do not put your fingers or other objects into the outlet or plug the outlet .
5. Do not sit on this machine table .
6. Follow the requirements of the tank to drain .
7. Do not use this machine in a sealed environment to avoid fire.
8. Make sure the condensate drain down the installation so that you can continue to be excluded .
9. If the power cord is damaged , please find the manufacturer or a qualified service organization .
10. prohibit people with and without self-care ability or children to use the machine without a guardian.
11. The machine must have a reliable ground lead or grounded outlet.

※Unit Overview※

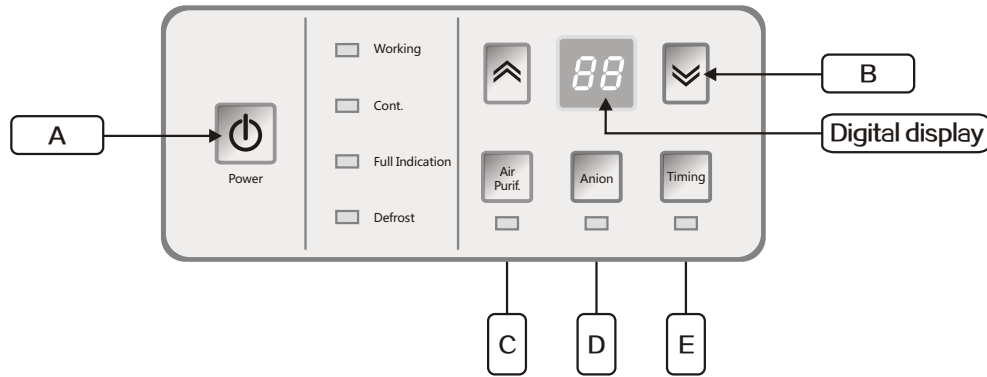
Front View



※ Rear View



※ Operating instructions ※



※ Control Panel Operation

A. Power Button: "Switch" key: turn on or off for each time in the boot, the conversion between off once . Note shutdown after fan delay stopped after 1 minutes.

B. " Up" and "Down" Button:

- 1) Adjust the humidity figures used for the humidity set button once every 1% rise or fall .
- 2) Adjust the time used for digital switch time setting, up or down button once every hour.

Note: The "up" and "down" button to set within the 10S does not operate after that set success. While holding down the Up and Down keys 2S can lock the keys , lock button to exit the same way).

C. Air Purifier Button : Press this button to start the air purification , dehumidification function off .

D. Anion Button : Press this button to start the anion .

E. Timing Button: In case the machine is running , pressing the button for the time off, but the machine on a lower power operation , press this button for regular boot .

※ Lamp operation

(1) Running lights : After power- beep is heard, the machine into standby mode, and this does not light , turned on, the lights lit , after the shutdown , the lights off . (Note: The standby display digital display profit or humidity)

(2) Water full indicator: When the water tank is full (ie, magnetic switch off) , the machine automatically standby , the lights flash , the buzzer sounds five beeping . Water full signal disappears , then automatically the original mode, the compressor 3 minutes effective protection .

(3) Continuous running lights : In continuous mode , the lights lit , the other states , this lamp is off .

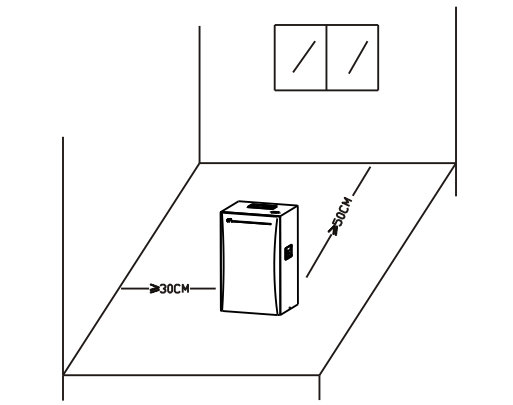
(4) Defrost indicator: When entering this light Always defrost operation , defrost termination or other states , this lamp is off .

(5) Air purification lights: Anion lights are only lit when it is enabled , other state off.

(6) The lamp timer setting : Press time setting key to set the timer switch , the light flashes, the setting is complete or in timing.

※ Preparing the Unit for Use ※

A. The placement of the machine : The machine can be placed in the figure requires full play to its performance.

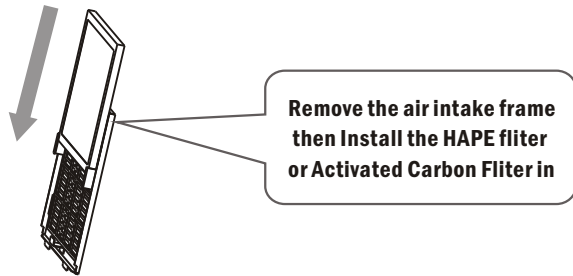


B. This machine uses a value consistent with the nameplate power outlet must be grounded port.

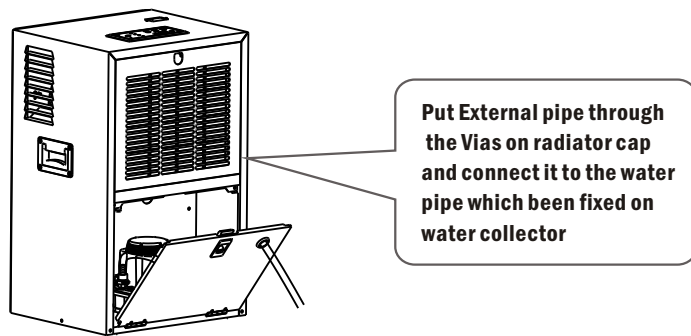
C. Remove the power cord and reliably , securely plugged into a power outlet.

D. Make sure the machine 's inlet and outlet is not blocked or blocking other objects. Ensure the inlet and outlet of the machine can effectively play the smooth performance of the machine and reduce electricity costs .

E. Before Switch to air purification model,you should Install in the HAPE fliter or Activated Carbon Fliter in side the air intake frame.



F. In order to avoid the repeated water tank caring,It is in strongly recommendation that to extend the draining to ground if this unit would in long term running.if the outlet pipe get wrapped or deflated,it would resulte bad water follow and even cause dead machine.



※ **Use Instructions** ※

1. " On / Off " Button :

- a.Press this " ⏻ "Button, the unit will start running .
- b.Press this " ⏸ "button again,the unit will stop running .

※ **Preferably stand for 3 minutes , so that the remaining water droplets on the evaporator flows into the water tanks .**

Please unplug the power cord after the machine is turned off to save standby power consumption and avoid the risk of accidents .

2. "Up" and "Down" Button

Used to adjust the set humidity , also used to adjust the timing shutdown and timing for the start of the set time.

• **Humidity setting adjustment range** : Between 35 to 90 percent , up or down button once for each 1% , when the set humidity < 35% , digital display "C0" enter the continuous dehumidification mode , the first power-on defaults "50 %" (Note : Continuous dehumidification mode not affected by humidity)

• **Time setting adjustment range** : 00, 01 to 24 hours, up or down button once every 1 hour , 00 digital display indicates the timing when setting off or regular boot cancellation or no timing settings.

Note: The regular boot and shutdown timing not both timing and timing is automatically canceled after a power failure , do not remember.

3. Air Purifier :Press the button, air purification function is activated .

4. Anion : Press this button to start the anion .

5. Time off and Time on operations

Boot mode, press the " timer setting " key to start the timer off function , digital timer flashes set the time, The display number of initial timing is 00,press the arrow keys to adjust the settings within 5S(no flashes when Hold the Up/Down key continuously).adjusted to the time required and leave your finger from panel,said the setuo is completed after 5S with no touch ,display back to present condition humidity.(**Note : In standby mode, press the " timer settings " button to star the timer on function**)

Always one Buzzer sound with every successful key pressing,only one Buzzer sound as weel as to continuously press when finger left to Button.

6. Tank operations Notes

- 1) After the machine stops running when pulling the tank to maintain a steady water tank removed.
- 2) While moving the tank ready to pour with both hands to hold up the bottom of the tank.
- 3) Do not move and damage the tank float .

※ Maintenance and Repair ※

WARNING! Be sure to turn off the power before for maintenance to avoid accidents !

1. Clean the filter

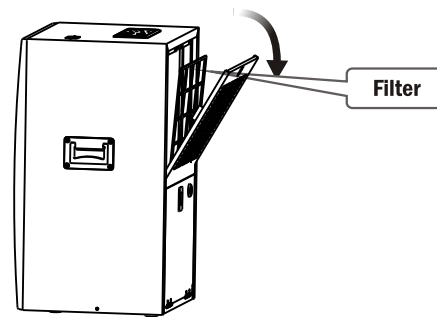
Because of the air filter is easy to accumulate dust , blocking the air intake passage , thereby affecting the dehumidification effect , therefore, must be regularly cleaned.

If the machine is in larger dust places, should be cleaned once a ~ 5 days .

If the machine is used in relatively clean environment can be cleaned once a month.

Clean the filter method :

1. Remove the filter, Filter may be cleaned by Vacuuming or By washing with warm water (no soap or Solvents), Insure Filter is dry prior to Restarting unit
 2. Make Tank Empty and Unplug the Unit when it is not in using.
 3. Do not use the machine near the stove , heaters and other heat sources or air outlet of places, so as not to affect the dehumidifying effect or danger.
 4. Do not use machine in where have Water Splash potential problem, to prevent the leakage of dangerous
 5. After the machine should be placed firmly before use, to prevent dumping, to avoid injury.
 6. When using dehumidifiers in wooden furniture , floors and other environments in attention control humidity , excessive dry conditions may cause the wood to crack.
 7. Severe turbulence , impact and tilt angles are large damage the machine : If running noise becomes larger and so on . And the inclination angle of the large residual moisture may cause the machine overflow.
 8. Storage H, dehumidifier
- When you are not using the product for a long time , and intended to be stored or collection, consider the following steps:
- 1) The residual water tank emptying.
 - 2) The dust filter clean .
 - 3) Placement. fresh dry environment .



※ Troubleshooting ※

Trouble	cause	Solution
Machine Won't Work/ Display is Blank	Display Blank. Power outage or poor connection	Check Power Supply Check both ends of powercord for good connection
	Room temperature whether in 5°C~ 35°C this inner?	Place unit on flat surface in vertical orientation
	Water Full protection	Repositioning or pour water tank Reinstall the float
machinery not exceed water or dehumidify quantity small	Filtration net whether jam	Clear the filter
	Room inner humidity temperature too low	Normal work condition
	Outlet or the outlet is blocked	Clear obstructions
Trouble code:E1	Humidity Sensor or communication error	Check sensor cable is properly connected. Replace the Sensor
Trouble code:E4	Water Full protection	The water tank float tank drained or re- install the float switch normal contact
Trouble code:L0	Unit is sensing room temperature below 33°F.	Increase room temperature Check Sensor Check Sensor Cable
Trouble code:HI	Unit is sensing room temperature above 100°F.	Decrease Room Temp Check Sensor Check Sensor Cable

※ Warranty ※

Seller warrants the equipment to be free from defects in workmanship and materials for a period of 12 months after shipment (60 months/5 years on compressor, evaporator and condenser). This warranty is limited, however, to the repair or replacement of defective equipment. If it is necessary to return unit for service, customer is solely responsible for proper packaging, transportation costs. Customer must initiate warranty process by contacting factory. Do not send any component or product back to factory without Return Material Authorization.

This limited warranty does not apply to any part or component that is damaged in transit or when handling, has been subject to misuse, corrosion, chemicals, acts of God has not been installed, operated or serviced according to the Seller's instructions, or has been operated beyond the factory-rated capacity or has been altered in any way. Routine maintenance is not covered by this warranty.

Seller's liability is limited to replacement of defective parts or components and does not include any cost of labor (including, but not limited to, labor to remove and/or reinstall any defective part), refrigerant or piping. Customer may elect to have unit fixed locally in which case required replacement parts will be sent to customer at customer's expense.

ALORAIR shall not be responsible for loss of use of any product, loss of time inconvenience, or damage to other equipment, or any other indirect or consequential damage with respect to property whether as a result of breach of warranty, neglect, or otherwise.

THE WARRANTIES AND LIABILITIES SET FORTH ARE IN LIEU OF ALL OTHER WARRANTIES EXPRESSED OR IMPLIED, IN LAW OR IN FACT, INCLUDING IMPLIED WARRANTIES OF MERCHANTABILITY AND FITNESS FOR PARTICULAR PURPOSE.

ALORAIR's total liability, regardless of nature of claim shall not exceed original purchase price of the product. If a product or component is replaced while under warranty, the applicable warranty period shall not be extended beyond the original warranty time period.

The foregoing shall constitute the total liability of seller in the case of defective performance of all or any of the equipment or services provided to Buyer. Buyer agrees to accept and hereby accepts the foregoing as the sole and exclusive remedy for any breach or alleged breach of warranty by Seller.