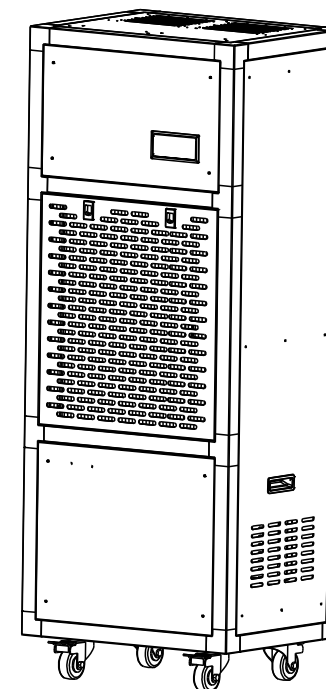




Registrate by scanning



## Installation and Operations Manual



Armored 240L

### AlorAir Dehumidifiers

E-mail: [sales@alorair.com](mailto:sales@alorair.com)  
Add: North Carolina USA

## ※ Introduction ※

The Armored 240L Dehumidifier is developed for industry environmental control within very large areas under tough conditions. Warehouses, factories, offices and other large-scale facilities with ambient temperatures ranging from 0.5°C where occur humidity and condensation problems can be handled efficiently and automatically. The unit is equipped with multifold filters(HEPA,Carbon,G3,Prefilter).

## ※ Features/Specifications ※

- Super Cop,3.4L/Kwh
- Low Sound Levels <65DBA
- Purification
- Timing
- Automatic humidistat control,Display Tube TEM
- The temperature control defrosting , more thorough, and more quick
- R410A Refrigerant
- Humidity can be fixed within 1%
- Universal Wheel
- Memory starting

**Note:** This dehumidification capacity is at room temperature 30 °C, relative humidity of 80% income test conditions

## Identification:

For future reference, write down the model, serial number, and date of purchase so you can identify your unit when seeking assistance. NOTE: data label on back of unit includes serial number.

**Model Number** Armored 240L

**Serial Number** \_\_\_\_\_ **Date of Purchase** \_\_\_\_\_

### Customer Service:

For additional questions concerning the operation of your dehumidifier,

please:

**Contact your installing contractor**

**E-mail: sales@alorair.com**

## Installation:

**WARNING!** 240 Volts AC may cause serious injury from electric shock.

1. Disconnect electrical power before servicing
2. Only plug unit into grounded electrical outlet
3. Do not use extension cord
4. Do not use plug adapter

**Power Supply:** 220V, 50 Hz AC Only 1 Phase

**Outlet Requirement:** 3-Prong, GFI

**Circuit Protector:** 15 Amp Time Delay Fuse or Circuit Breaker



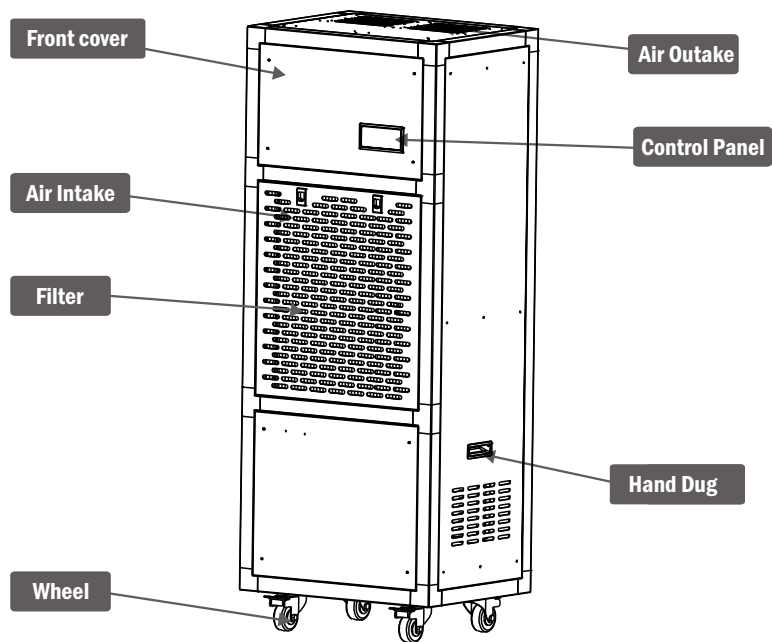
**WARNING**

**When using this machine , please note the following safety warnings :**

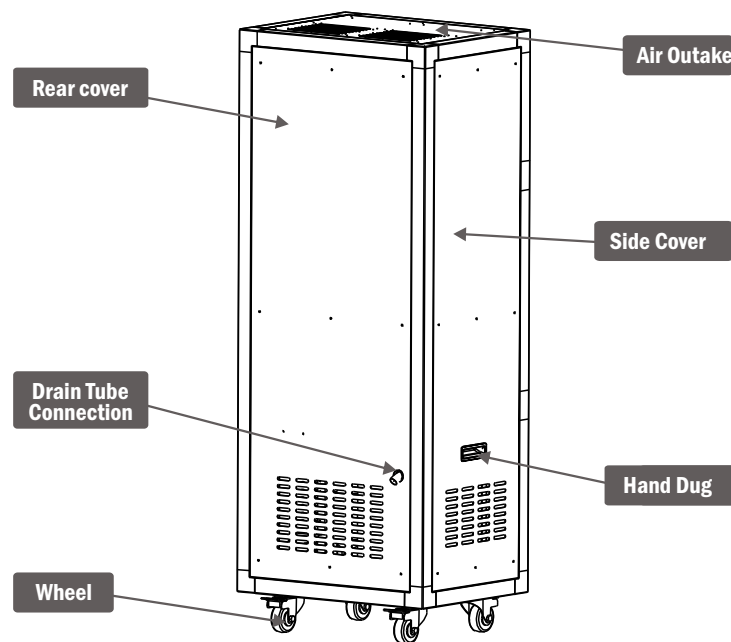
1. Unplug when cleaning or storing this dehumidifier .
2. Do not immerse the machine in water or near water .
3. Do not place the machine near a heating device or flammable dangerous place.
4. Do not put your fingers or other objects into the outlet or plug the outlet .
5. Do not sit on this machine table .
6. Follow the requirements of the tank to drain .
7. Do not use this machine in a sealed environment to avoid fire.
8. Make sure the condensate drain down the installation so that you can continue to be excluded .
9. If the power cord is damaged , please find the manufacturer or a qualified service organization .
10. prohibit people with and without self-care ability or children to use the machine without a guardian.
11. The machine must have a reliable ground lead or grounded outlet.

※ **Unit Overview** ※

※ **Front View**



※ **Rear View**



## ※ Operating instructions ※



## ※ Control Panel Operation

**A. Power Button:** "Switch" key: turn on or off for each time in the boot, the conversion between off once . Note shutdown after fan delay stopped after 1 minutes.

### B. " Up" and "Down" Button:

1 ) Adjust the humidity figures used for the humidity set button once every 1% rise or fall .

2 ) Adjust the time used for digital switch time setting, up or down button once every hour.

**Note:** The "up" and "down" button to set within the 3S does not operate after that set success. While holding down the Up and Down keys 2S can lock the keys , lock button to exit the same way ).

## ※ Lamp operation

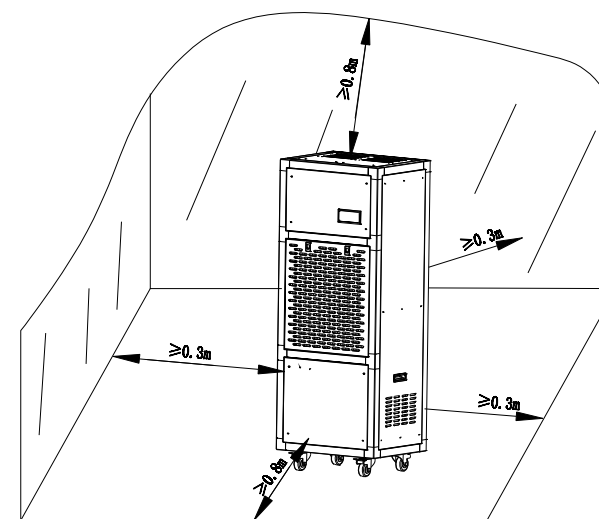
( 1 ) **Running lights :** After power- beep is heard, the machine into standby mode, and this does not light , turned on, the lights lit , after the shutdown , the lights off . ( Note: The standby display digital display profit or humidity )

( 2 ) **Continuous running lights :** In continuous mode , the lights lit , the other states , this lamp is off .

( 3 ) **Defrost indicator:** When entering this light Always defrost operation , defrost termination or other states , this lamp is off .

## ※ Preparing the Unit for Use ※

**A. The placement of the machine :** The machine can be placed in the figure requires full play to its performance.

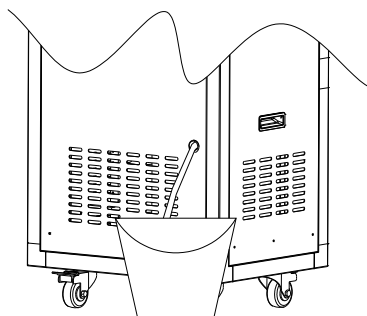


**B.** This machine uses a value consistent with the nameplate power outlet must be grounded port.

**C.** Remove the power cord and reliably, securely plugged into a power outlet.

**D.** Make sure the machine's inlet and outlet is not blocked or blocking other objects. Ensure the inlet and outlet of the machine can effectively play the smooth performance of the machine and reduce electricity costs.

**E.** Before starting the outlet pipe into a drainage tank or water container.



※ **Use Instructions** ※

**1. " On / Off " Button :**

a. Press this " On / Off " Button, The unit automatically determines whether the current humidity reaches the starting condition. Such as to reach the starting, such as the current humidity is lower than the setting humidity, then do not start, running lights shining.

b. Press this " On / Off " button again, the unit will stop running.

※ **Preferably stand for 10 minutes, so that the remaining water droplets on the evaporator flows into the water tanks.**

Please unplug the power cord after the machine is turned off to save standby power consumption and avoid the risk of accidents.

**2. "Up" and "Down" Button**

Used to adjust the set humidity, also used to adjust the timing shutdown and timing for the start of the set time.

• **Humidity setting adjustment range :** Between 35 to 90 percent, up or down button once for each 1%, when the set humidity < 35%, digital display "C0" enter the continuous dehumidification mode, the first power-on defaults "50 %." ( Note : Continuous dehumidification mode not affected by humidity )

※ **Maintenance and Repair** ※

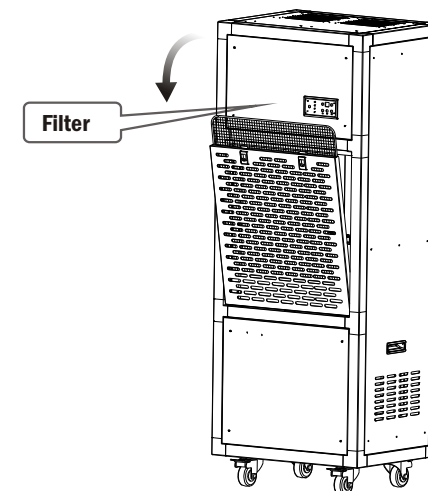
**WARNING** Be sure to turn off the power before for maintenance to avoid accidents !

**1. Clean the filter**

Because of the air filter is easy to accumulate dust, blocking the air intake passage, thereby affecting the dehumidification effect, therefore, must be regularly cleaned.

If the machine is in larger dust places, should be cleaned once a ~ 5 days.

If the machine is used in relatively clean environment can be cleaned once a month.



**Clean the filter method :**

**1. Remove the filter, Filter may be cleaned by Vacuuming or By washing with warm water (no soap or Solvents), Insure Filter is dry prior to Restarting unit**

**2. Make Tank Empty and Unplug the Unit when it is not in using.**

**3. Do not use the machine near the stove , heaters and other heat sources or air outlet of places, so as not to affect the dehumidifying effect or danger.**

**4. Do not use machine in where have Water Splash potential problem, to prevent the leakage of dangerous**

**5. After the machine should be placed firmly before use, to prevent dumping, to avoid injury.**

**6. When using dehumidifiers in wooden furniture, floors and environments in attention control humidity , excessive dry conditions may cause the wood to crack.**

**7. Severe turbulence , impact and tilt angles are large damage the machine : If running noise becomes larger and so on . And the inclination angle of the large residual moisture may cause the machine overflow.**

**8. Storage H, dehumidifier**

When you are not using the product for a long time , and intended to be stored or collection, consider the following steps:

- 1) The residual water tank emptying.
- 2) The dust filter clean .
- 3) Placement. fresh dry environment .

**※ Troubleshooting ※**

Trouble	cause	Solution
<b>Machine Won't Work/ Display is Blank</b>	Display Blank. Power outage or poor connection	Check Power Supply Check both ends of powercord for good connection
	Room temperature whether in 5°C~ 35°C this inner?	Place unit on flat surface in vertical orientation
<b>machinery not exceed water or dehumidify quantity small</b>	Filtration net whether jam	Clear the filter
	Room inner humidity temperature too low	Normal work condition
	Outlet or the outlet is blocked	Clear obstructions
<b>Trouble code:E1</b>	Humidity Sensor or communication error	Check sensor cable is properly connected. Replace the Sensor
<b>Trouble codeL0</b>	Unit is sensing room temperature below 33°F.	Increase room temperature Check Sensor Check Sensor Cable
<b>Trouble codeHI</b>	Unit is sensing room temperature above 100°F.	Decrease Room Temp Check Sensor Check Sensor Cable

**※WARRANTY※**

Seller warrants the equipment to be free from defects in workmanship and materials for a period of 12 months after shipment (60 months/5 years on compressor, evaporator and condenser). This warranty is limited, however, to the repair or replacement of defective equipment. If it is necessary to return unit for service, customer is solely responsible for proper packaging, transportation costs. Customer must initiate warranty process by contacting factory. Do not send any component or product back to factory without Return Material Authorization.

This limited warranty does not apply to any part or component that is damaged in transit or when handling, has been subject to misuse, corrosion, chemicals, acts of God has not been installed, operated or serviced according to the Seller's instructions, or has been operated beyond the factory-rated capacity or has been altered in any way. Routine maintenance is not covered by this warranty.

Seller's liability is limited to replacement of defective parts or components and does not include any cost of labor (including, but not limited to, labor to remove and/or reinstall any defective part), refrigerant or piping. Customer may elect to have unit fixed locally in which case required replacement parts will be sent to customer at customer's expense.

ALORAIR shall not be responsible for loss of use of any product, loss of time, inconvenience, or damage to other equipment, or any other indirect or consequential damage with respect to property whether as a result of breach of warranty, neglect, or otherwise.

**THE WARRANTIES AND LIABILITIES SET FORTH ARE IN LIEU OF ALL OTHER WARRANTIES EXPRESSED OR IMPLIED, IN LAW OR IN FACT, INCLUDING IMPLIED WARRANTIES OF MERCHANTABILITY AND FITNESS FOR PARTICULAR PURPOSE.**

ALORAIR's total liability, regardless of nature of claim shall not exceed original purchase price of the product. If a product or component is replaced while under warranty, the applicable warranty period shall not be extended beyond the original warranty time period.

The foregoing shall constitute the total liability of seller in the case of defective performance of all or any of the equipment or services provided to Buyer. Buyer agrees to accept and hereby accepts the foregoing as the sole and exclusive remedy for any breach or alleged breach of warranty by Seller.