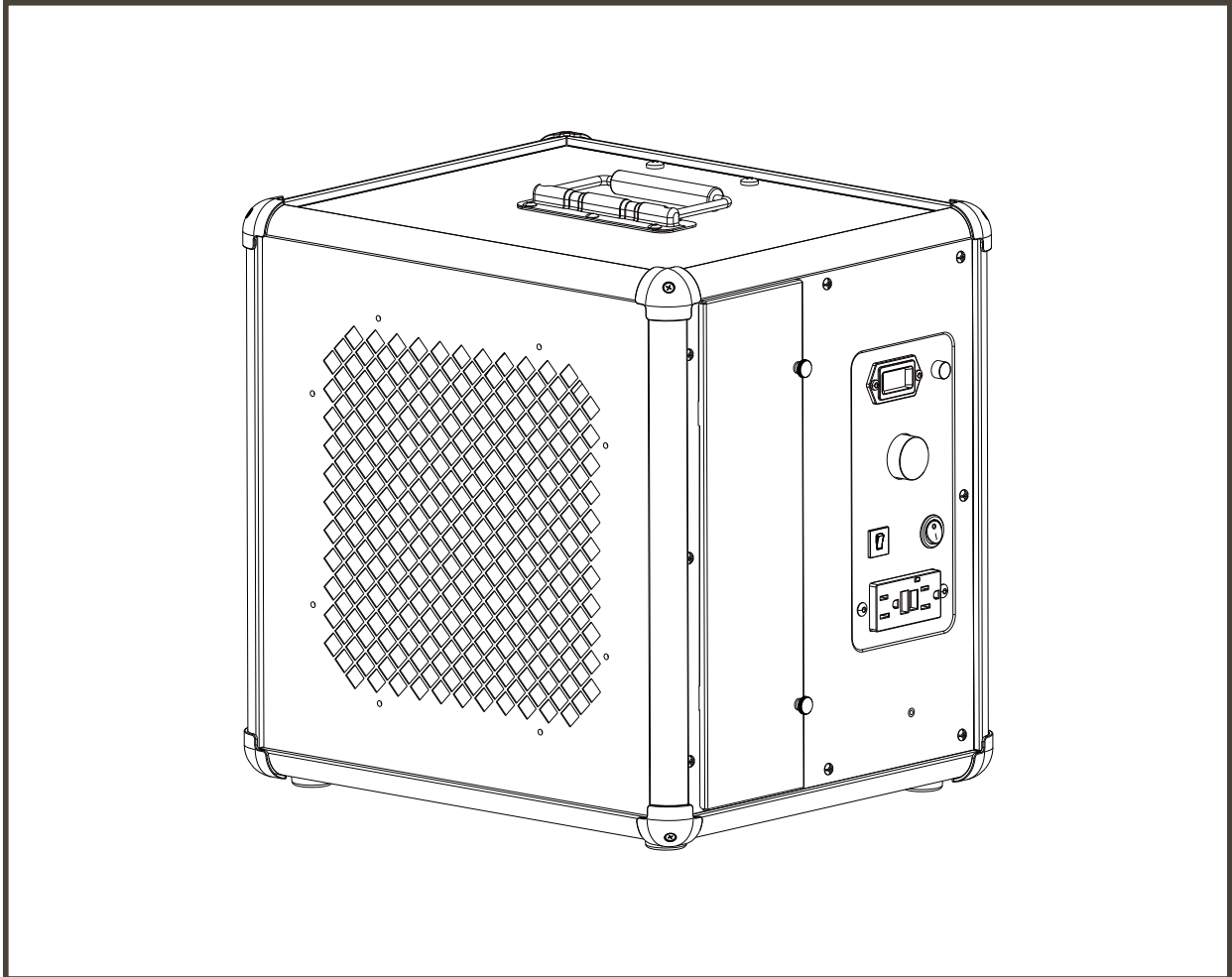


PuriSystems User's Manual



HEPA 600 UVIG

PuriSystems Solutions INC.

E-mail: sales@purisystems.com

Add: 8605 SANTA MONICA BLVD#79525
WEST HOLLYWOOD, California, 90069 USA

Tel: 880-990-7469

WARNING!

PLEASE READ THE SAFETY INSTRUCTIONS CAREFULLY BEFORE USE.

- Inspect the item upon arrival. If you find any damages, contact our customer support.
- A damaged power cord can be dangerous. There is a serious risk of damage and personal injury if used.
- Do not use or install any parts to HEPA 600 UVIG that is not approved by PuriSystems.
- Unauthorized alterations will invalidate the product warranty.
- Do not plug the power cable into an unconnected ground socket. There is a risk of personal injury.
- Do not use the machine in a room or environment with explosive gases to avoid the risk of explosion.
- This machine is 110-120V rated. Plugging into an outlet with a different voltage rating may cause equipment or property damage and serious personal injury.
- Do not use the unit on standing water. If the electrical parts are damp/moist, let them dry before use.

Product introduction

HEPA 600 UVIG is an air filtration system that uses high-graded filters, to expel particles from the air such as mold spores, dust pollen, pet dandruff, etc. HEPA 600 UVIG is also suitable for flood damage, fire repair, and it may also serve as woodcutting protection.

IDENTIFICATION

Congratulations on purchasing a HEPA 600 UVIG air scrubber. In order to take advantage of the warranty plan, be sure to note the serial number and date of purchase.

Serial Number: _____

Date of Purchase: _____

HOW DOES IT WORK?

1. When the HEPA 600 UVIG is turned on, it will draw air from its location and pass it through a series of filters. These filters are, Pre-filter, HEPA, and Activated carbon filter.

2. The first stage filter (Pre-filter) captures large particles.

The second stage filter (HEPA Filter) captures particles that are as small as 0.3 microns. They can be smoke, dust, bacteria, pollen, and more.

The third and last stage filter is the Activated carbon filter. It absorbs dozens of harmful substances such as formaldehyde, benzene series, ammonia, radon, TVOC, etc.

SPECIAL FEATURES

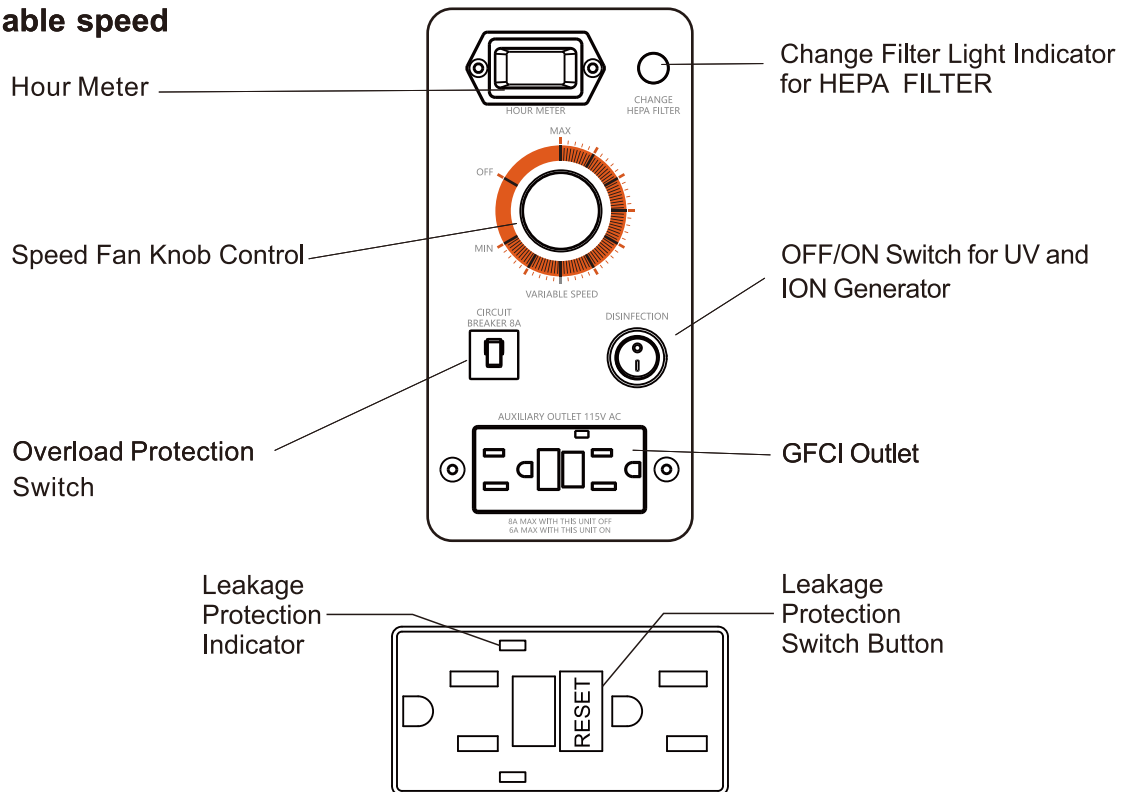
- Daisy-Chain Capability. Up to 3 units.
- Stackable up to 2 units.

Instruction setting

1. Place the unit in a vertical position.
2. Plug the unit into a 115 V outlet. Each machine draws 3 Amps.
3. The fan speed can be adjusted using the speed fan knob control.

Control panel

Variable speed



1. When you use the unit, first turn on the leakage protection switch and the protection indicator lights up, indicating that the device with leakage protection has been put into operation.
2. After turning the machine on, turn the wind speed control clockwise to turn the machine on and turn it counterclockwise to turn it OFF.
3. After turning on the machine, you can press the disinfection switch button to turn the disinfection function (negative ion sterilizer, ultraviolet lamp sterilizer) ON or OFF, Note: This function can only be turned on when the machine is running.

If a space requires more air filters, you can use "GFCI" to connect to up to 3 HEPA 600 UVIG. When the unit is shut down, the maximum allowable current of the external "GFCI" is 8 Amps. When the device is turned on, the maximum allowable current of the external "GFCI" is 6 Amps. Other devices can also be plugged into the HEPA 600 UVIG "GFCI" socket, as long as it does not exceed the maximum current.

When a current of more than 12 Amps passes through the circuit, the circuit breaker switch protection will be disconnected within an hour. Circuit breaker switch when there is more than 16 Amps of current passing through the circuit, the circuit breaker switch protection device will be disconnected in an instant. If this happens, the switch will cut off the power to the equipment. It is necessary to disconnect the external equipment or turn on the circuit breaker switch protection again after checking the circuit to power the unit again.

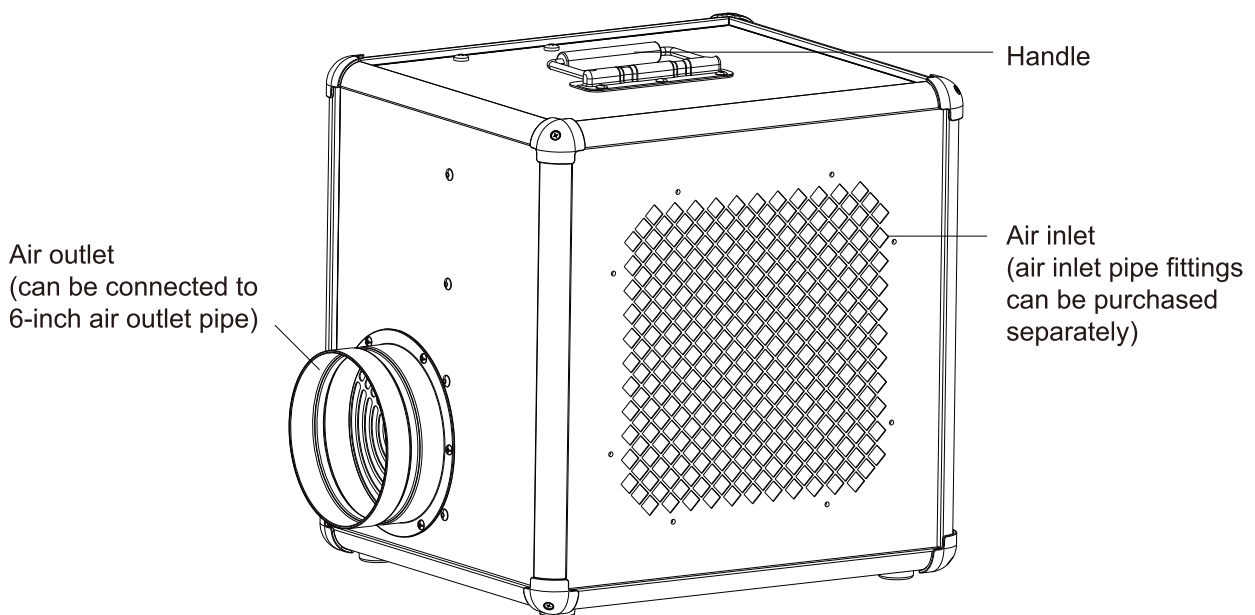
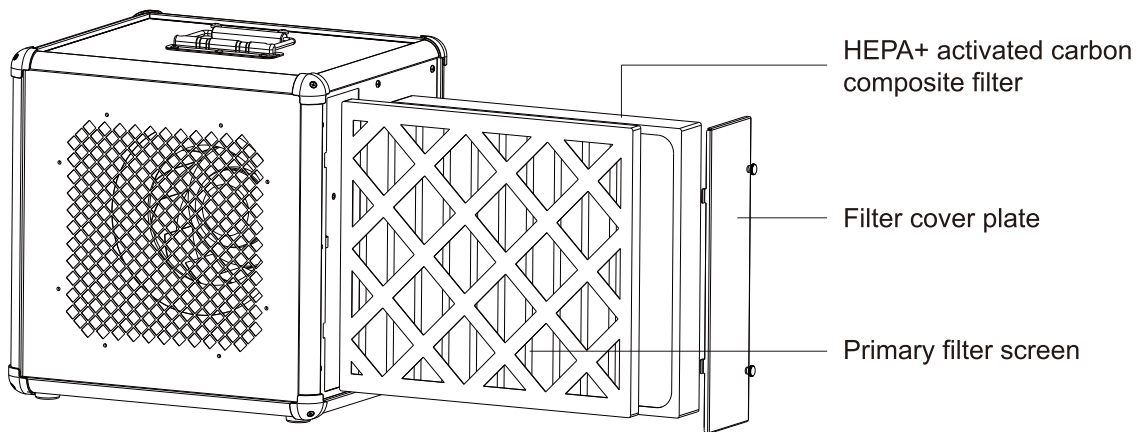
■ Replace the filter

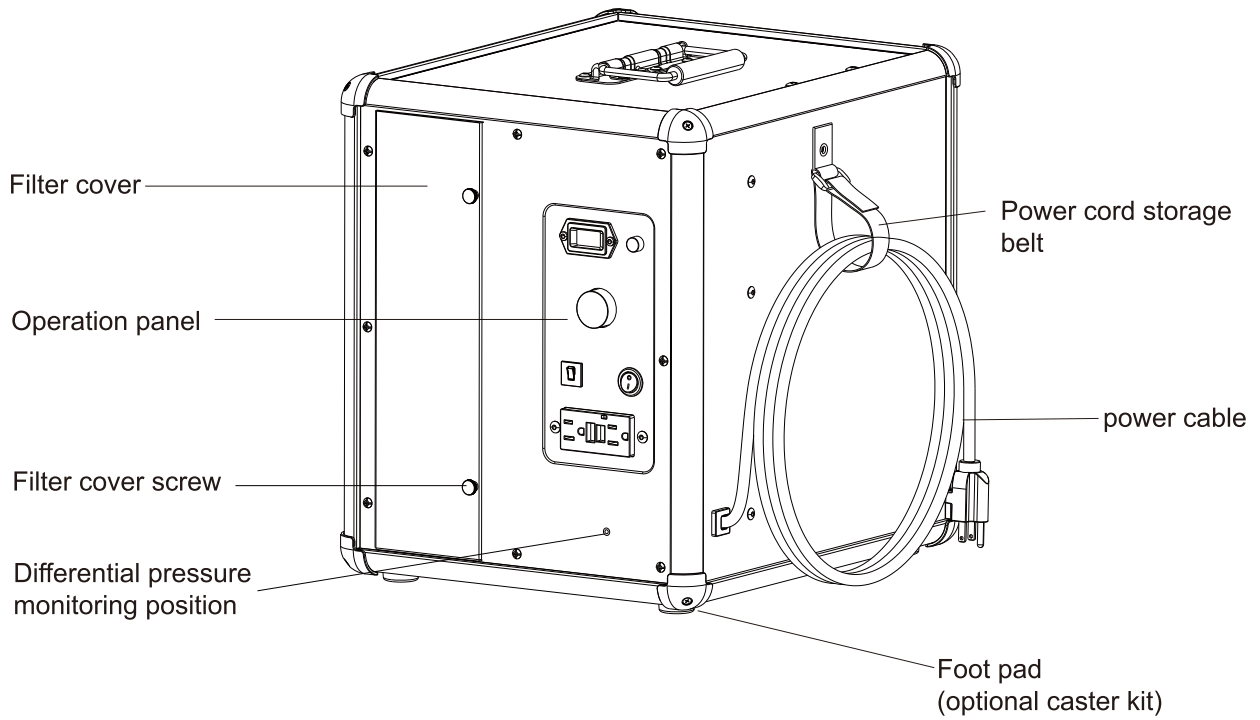
It is recommended that the pre-filter be replaced after each repair job. If the filter screen replacement indicator is on, replace the HEPA compound filter.

Risk Warning: harmful dust can spread when pre-filters and composite filters are replaced. Therefore, users should wear protective glasses, gloves and breathing masks that meet the FFP2 protection level.

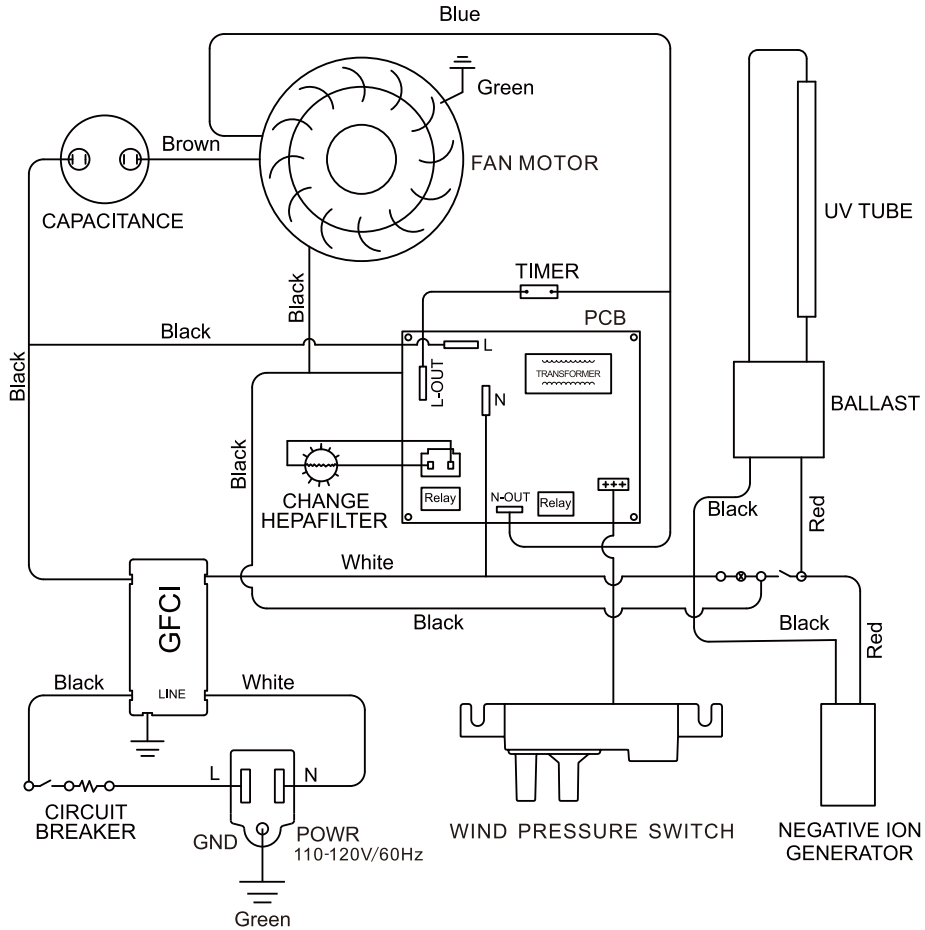
Filter replacement method:

1. Loosen the 4 screws that secure the filter plate and remove the filter cover.
2. Slide out of the old filter.
3. Remove the used filter and replace it with the new filter.
4. Reinstall the filter cover.





Circuit wiring diagram



APPLICABLE SCENARIO

Water damage restoration

Multiple units may be required to run at once during this application.

Odor Control

The HEPA 600 UVIG has been proven to be effective at filtering VOCs, smoke, soot, paint smoke, and any other gases that may be causing bad odor.

Other uses

HEPA 600 UVIG may also be used in many other applications such as, mold repair, fire damage restoration, and dust removal.

WARNING!

Respiratory hazard

Avoid the use of the unit near any equipment that may produce Carbon monoxide. Do not use the unit when the 'Filter Change' light is on.

Dumping danger

Stacking guidelines

Proper alignment of the units is required when stacking. Do not stack more than two units.

CAUTION

Do not pierce the filters.

Filters are not washable/cleanable. All filters must be replaced when necessary.

SERVICE WARNING

When carrying out maintenance work, please remove the plug from the wall socket.

PERSONAL INJURY RISK WARNING

When the primary filter screen and HEPA compound filter are replaced, the dust harmful to health will be diffused. Therefore, users should wear protective glasses, gloves and breathing masks that meet the FFP2 protection level.

Don't pierce the filter. The puncture filter has the risk of dust diffusion.

In a humid environment, the service life of the HEPA composite filter will be reduced, and if it comes into contact with water, it may be completely destroyed.

The Primary filter and HEPA compound filters cannot be cleaned and must be replaced when dust accumulates. (when the filter prompt light is on, the HEPA composite filter needs to be replaced, and the timely replacement of the primary filter can improve the service life of the HEPA composite filter.)

Troubleshooting

Problem	Possible Reason	Solution
Fan won't start Short Cycling	Device not powered on Defective power cord Defective switch Damaged main control board	Use a different GFCI outlet Check if the switch is on Replace the main control board Replace the fuse
Poor air suction The unit blows dust	Filter is too dirty	Replace the filter
Abnormal noise	Internal deformation possibly caused by the transportation	Contact customer support for possible fan replacement
Unit dust blowing	The filter is defective or loose.	Adjust filter status or replace filter.
Abnormal noise	Internal deformation caused by transpor tation	Seek after-sales solutions from suppliers

■ Limited Warranty

This limited warranty starts from the date of purchase. PuriSystems warrants to the original purchaser that this PuriSystems product is free from manufacturing defects in material or workmanship for the limited warranty period of:

1 YEAR (FROM DATE OF PURCHASE): PuriSystems warrants the unit's parts will operate free of defects in material or workmanship. This includes factory laborers. At its discretion, PuriSystems will replace defective parts, including factory labor. This does not include transportation costs.

This limited warranty is valid only on products purchased from the manufacturer or PuriSystems authorized dealer and operated, installed, and maintained according to the instructions included in this user guide or furnished with the product. PuriSystems will not provide in-home service during or after the warranty period. You may be responsible for the shipping charge to bring the product to the manufacturer for service.

To receive warranty service, the purchaser must contact PuriSystems via 888-990-7469 or email at support@purisystems.com. Proof of purchase or order number is required to receive warranty service. During the applicable warranty period, a product will be repaired or replaced at the sole option of PuriSystems.

IMPORTANT NOTICE: Keep the item's packaging in case warranty service is required.

Limited Warranty Exclusions

This limited warranty covers manufacturing defects in materials or workmanship encountered in a normal household, commercial or noncommercial use of this product and shall not cover the following:

- Damage occurs in uses for which this product was not intended for.
- Damage caused by unauthorized modification or alteration of the product.
- Cosmetic damage including scratches, dents, chips, and other damage to the product's finishes.
- Damage caused by abuse, misuse, pest infestation, accident, fire, floods, or other acts of nature.
- Damage caused by incorrect electrical line current, voltage, fluctuations, and surges.
- Damage caused by failure to perform proper maintenance of the product.
- Damaged caused by not using the required filters for operation. (Pre-filter, HEPA & Activated Carbon Filter)
- Damaged caused by using in a high humidity environment (75% or higher).
- Damaged caused by using next to combustible materials/equipment that may or may not produce carbon monoxide.
- The use of this product in SPA or at a outdoor pool.

PuriSystems WARRANTY REGISTRATION CARD

Name:

Address:

City:

State:

Zip:

Phone #:

Email:

Order Number:

Model:

Installer:

Registration Date #:

Return to: PuriSystems Solutions

Serial #:

▶ If you have any questions, please feel free to contact us at sales@purisystems.com or visit www.purisystems.com

▶ Scan QR Code for Warranty Registration:



