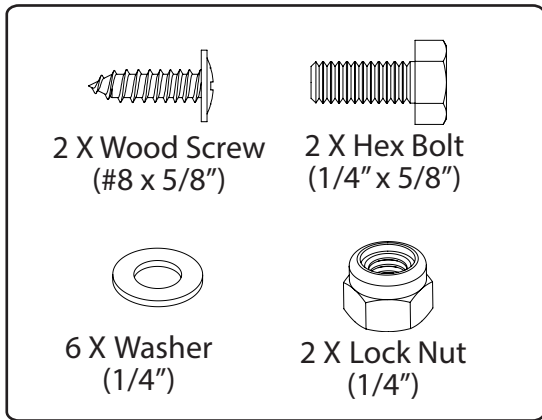
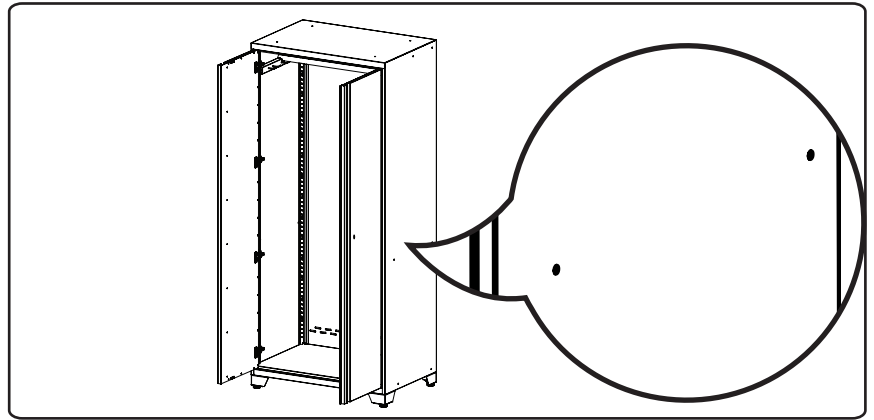


Installing Worktop Side Support Bracket

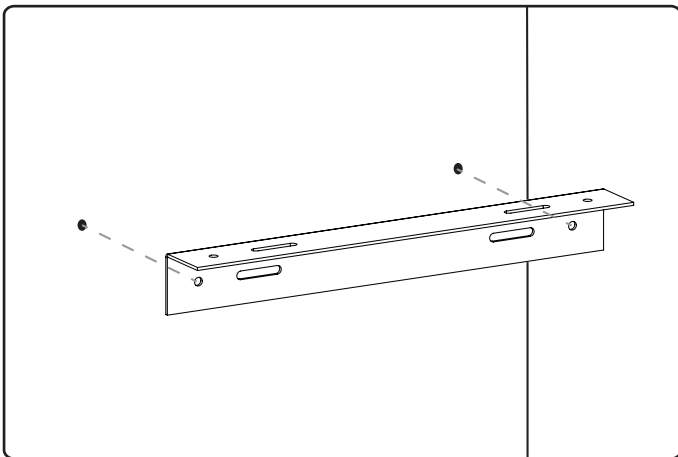
i Parts Needed.



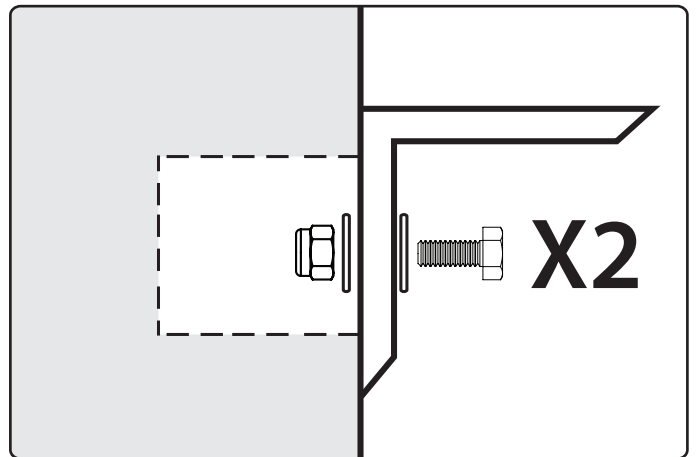
1 Open locker and locate holes on either side.



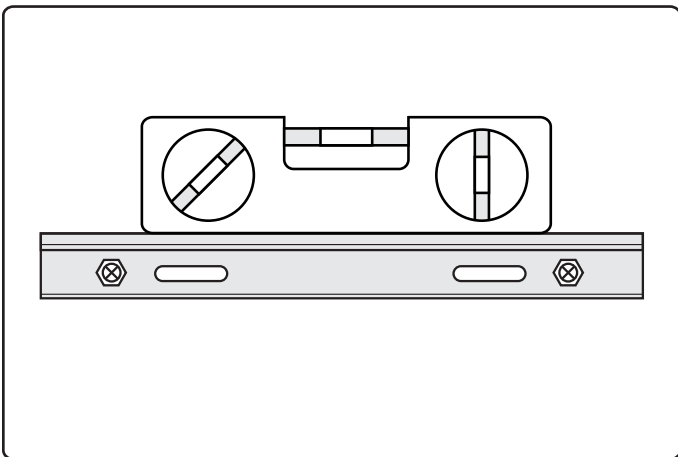
2 Align bracket.



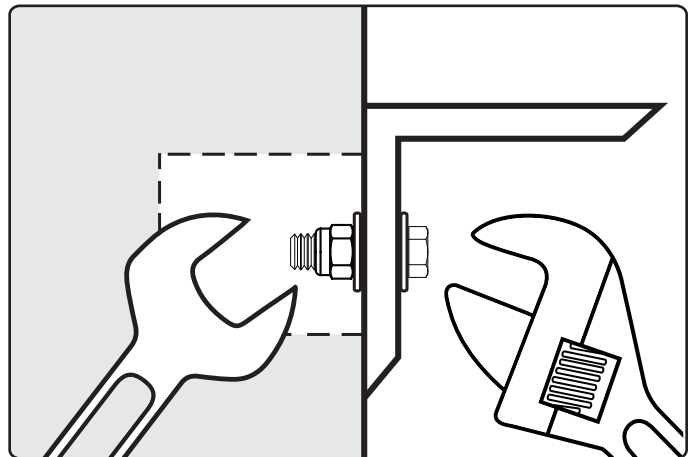
3 Fasten nuts, bolts, and lock washers.



5 Level bracket and ensure it is at the same height as the base cabinet.



4 Tighten nuts & bolts.



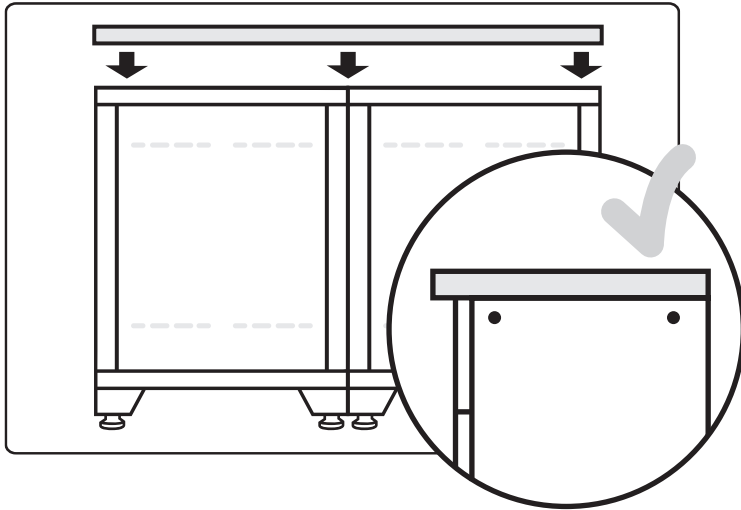
Thank you for purchasing a NewAge Product!

Please give us a call or visit online if you have any questions.

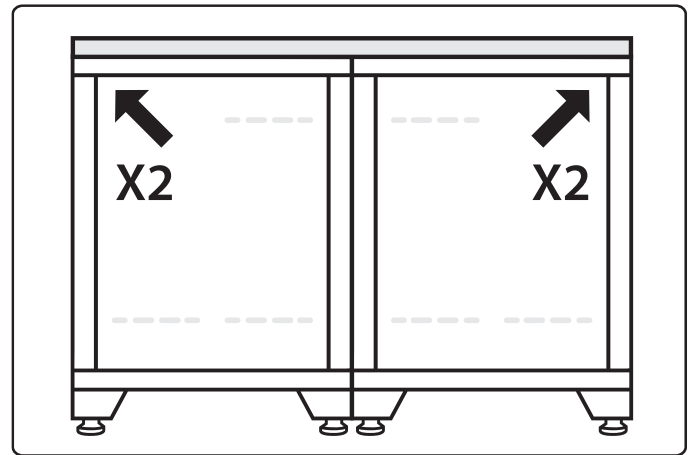
Call 1.877.306.8930; for UK 0800.031.4069; e-mail at info@newageproducts.com

Mounting the Worktop (On 2 Cabinets)

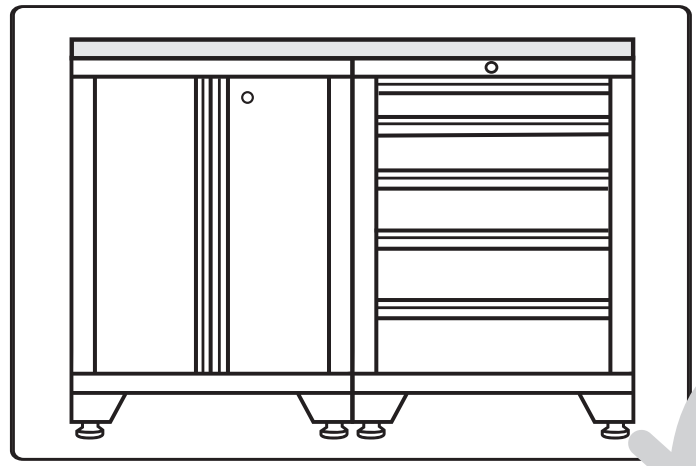
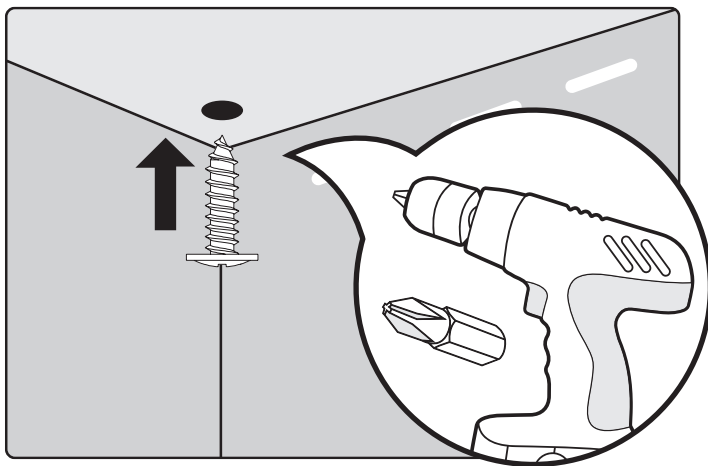
1 Place Worktop on cabinets.



2 Locate 2 punch holes both sides.

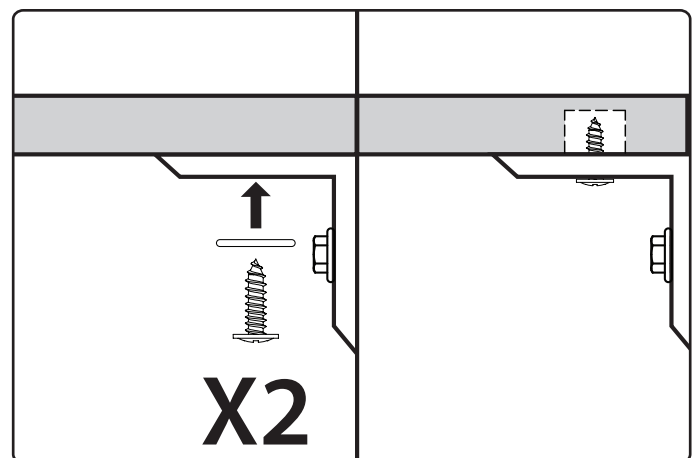
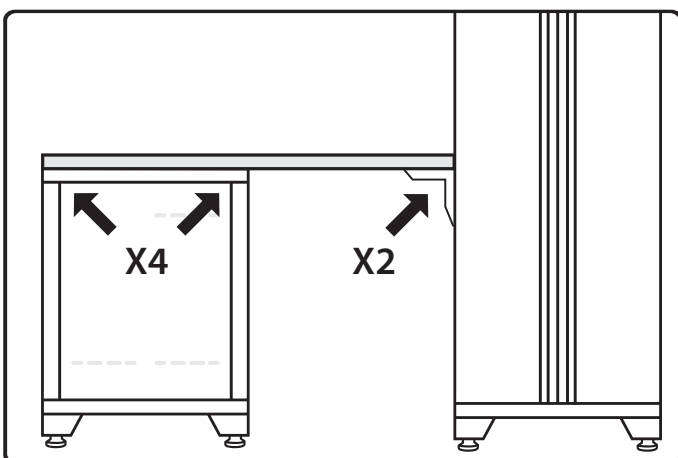


3 Drill into the worktop using the #8 x 5/8" wood screws.



i Optional: For locker support bracket.

Use 2 washers & #8 x 5/8" wood screws. Provided in the locker packaging.

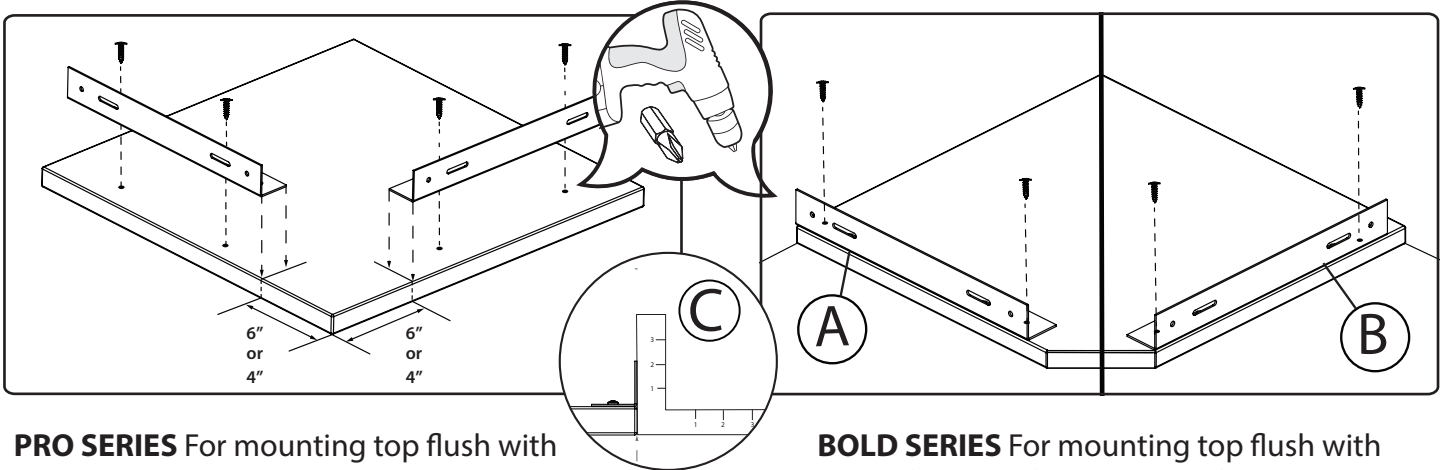


Installing Corner Cabinet

(Requires 2 support bracket kits)

Note: Ensure there is enough assembly room. Cabinets must be assembled away from corner to access backs of cabinets.

- 1** On adjacent edges attach 2 support brackets to underside of corner top using the supplied (4) #8 x 5/8" screws.

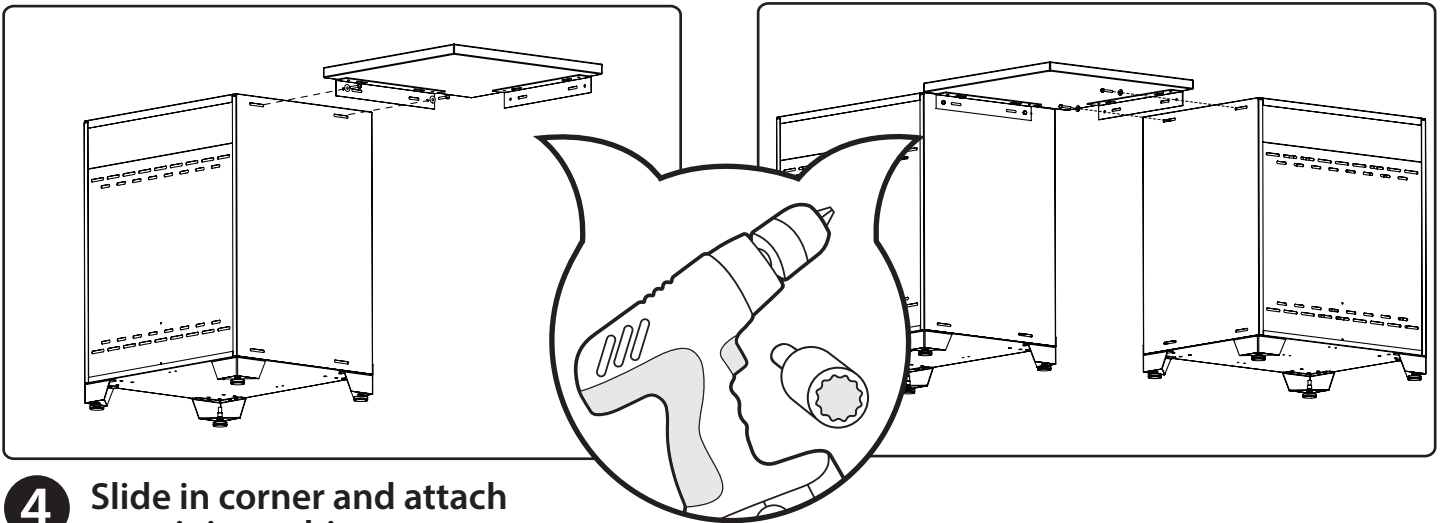


PRO SERIES For mounting top flush with back of cabinet measure 6" in from corner, for mounting top flush with front of cabinet measure 4" in from corner and flush with edge.

BOLD SERIES For mounting top flush with back of cabinet follow step A, for mounting top flush with front follow step B and flush with edge step C.

- 2** Attach top to one cabinet using 1/4" x 5/8 hex bolts, nuts, and washers.

- 3** Attach second cabinet to top.



- 4** Slide in corner and attach remaining cabinets.

