



14.5014 28 SPECIAL FOAM KIT - User's Manual

1.25mm/3.5 orifice installed, 1.1mm/3.0 orifice not installed

The Professional Foam Cannon combines a high pressure water flow mixed with detergent and air to produce thick clinging foam. With the adjustable intake you may increase or decrease the amount of detergent drawn into the water flow adjusting the amount of foam created. Furthermore, the Professional Foam Cannon has a variable angle spray pattern that with a simple twist goes from a 0 degree focused jet to 50 degree fan pattern.

Product's Use

With a 1.25mm/3.5 orifice installed, a minimum of 1.8 GPM and a minimum of 1,100 PSI is required for the product to operate correctly.

With a 1.1mm/3.0 orifice installed, a minimum of 1.4 GPM and a minimum of 1,100 PSI is required for the product to operate correctly.

Use fresh clear water, with common detergents. We recommend that any impure fluid be adequately filtered before it is used. Detergents with suspended particles can clog the filter and the product will fail to operate properly.

Veloci Performance Products, Inc. ("Veloci") does not manufacture or supply any of the chemicals used with the product and is not responsible for their effects. Because of the large number of chemicals that could be used (and their different chemical reactions), the user of this equipment should determine compatibility of the materials used and any of the potential hazards involved.

NOTE: Always remember to carefully read the chemical manufacturer's label and follow all directions.

WARNING: This product is meant for use with the Veloci Professional Foam Cannon only and not intended for use during spray down. This product is to only be used as advertised; do not install any additional attachments. Check to ensure that the product is compatible with the system's operating specifications and do not exceed the maximum flow, pressure, and temperature ratings of the product that are listed in this manual (see Technical Chart).

Installation must be done exclusively by skilled workers. Veloci is not responsible or liable for any loss or damage arising from improper installation or installation done by unskilled workers and/or users.

**** AFTER EVERY USAGE, AND PRIOR TO STORAGE, RINSE AND THOROUGHLY FLUSH WITH CLEAR WATER. FAILURE TO THOROUGHLY RINSE AND FLUSH CHEMICALS WILL CAUSE THE FILTER TO CLOG AND THE PRODUCT WILL FAIL TO OPERATE PROPERLY. THIS FAILURE CAN OCCUR AFTER THE FIRST USE. USE REPLACEMENT FILTERS IF CLOG OCCURS****

1.Remove 1 liter bottle

2.Pull trigger on spray gun

3.Allow clean clear water to thoroughly flush out chemicals in filter for a few minutes

Service

Service must be done exclusively by skilled workers using only original Veloci replacement parts.

To correctly reassemble, follow the drawing listed in the exploded view in this manual.

WARNING: The components need to be properly reassembled to restore to the original conditions of the product. Veloci is not responsible or liable for any loss, damage or injury, direct or consequential, arising from improper, use, reassembly or service by unskilled workers and/or users.

Further Instructions

To correctly install, use, and service this product, carefully read and follow the instructions and warnings contained in this manual. Please ensure these instructions are included in the final user's manual of any machine in which the product is assembled.

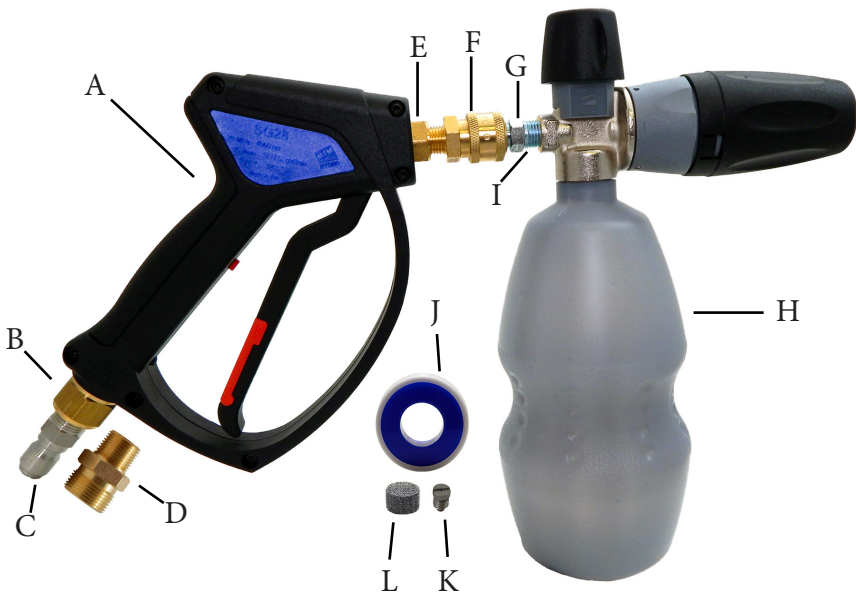
Any improper use of or alteration of this product may cause damage, loss or injury. Veloci is not responsible or liable for any loss, damage, or injury, direct or consequential, arising from improper use or alteration and disclaims all liability for its functioning and safety. Before using, user shall determine the suitability of the product for its intended use and user assumes all risk and liability whatsoever in connection therewith. Veloci makes no warranty whatsoever with respect to the product, including any warranty of merchantability or warranty of fitness for a particular purpose.

The product described here complies with the rules and the lines in force that you can find in the Veloci CONFORMITY DECLARATION.

Veloci declines all responsibility and liability in the case that the compliance and regulations stated in this manual are not followed or respected.

Veloci reserves the right to make any modification to both products and manuals without notice.

1.25mm/3.5 orifice installed, 1.1mm/3.0 orifice Not Installed



Position	Qty	Part Number	Description
A	1	10.0632	SG28 Easy Hold Spray Gun
B	1		SG28 3/8" F NPT Spray Gun Inlet
C	1	24.0082	3/8" M NPT Stainless Plug
D	1	24.0093	3/8" M NPT M22 Brass Plug
E	1		SG28 1/4" F NPT Spray Gun Outlet
F	1	24.0068	1/4" M NPT Brass Coupler
G	1	24.0080	1/4" M NPT Stainless Plug
H	1		Foam Cannon With Bottle & Suction Tube
I	1		1/4" F BSP Foam Cannon Inlet
J	1	22.0290	1/2"x520" Teflon Tape Roll
K	1	36.5000	1.1mm/3.0 Orifice (Not Installed)
L	1	36.0226	Replacement Stainless Steel Filter
	1	36.0227	1.25mm/3.5 Orifice (Installed)

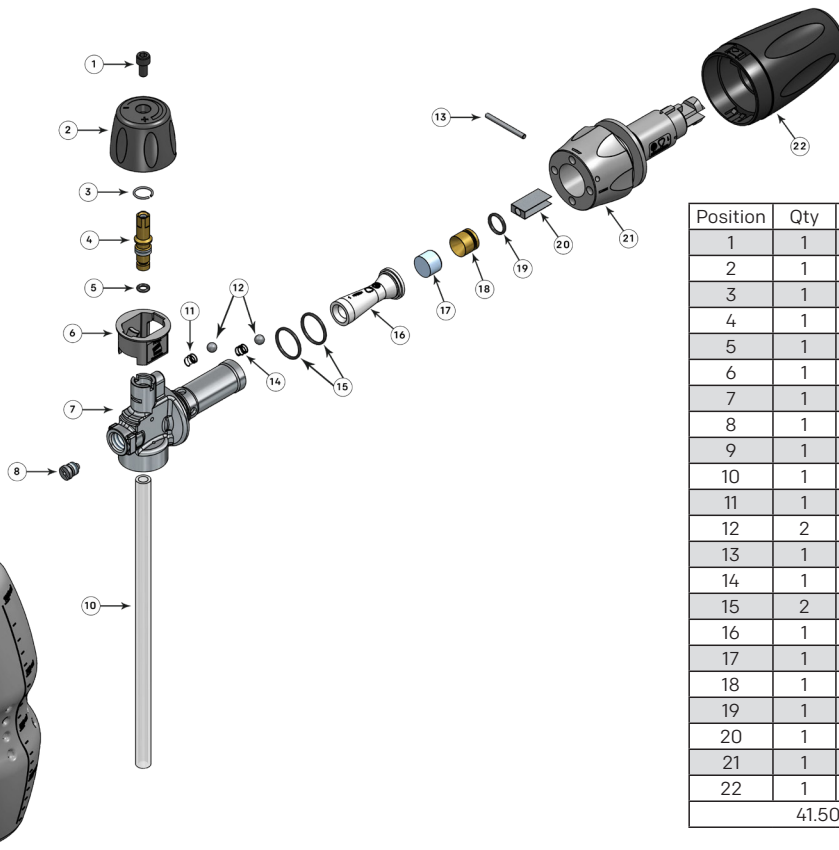
Assembly Instructions

1. Wrap exposed NPT threads 5-10 times each for fittings C, D, F and G with (J) Teflon Tape provided
2. Install either fitting C or D into Inlet B based on hose outlet
3. Install fitting F into outlet E
4. Install fitting G into inlet I
5. Install fitting G into fitting F

This product is to only be used as advertised.

Replace 8 (shown below) with K to convert to low pressure/volume. Search "MTM Hydro Orifices" on youtube.com for video instructions.

Replace 17 (shown below) with L to prolong life of foam cannon. Search "MTM Hydro Foam Cannon Filter Repair" on youtube.com for video instructions.



Position	Qty	Part Number	Description
1	1		Screw
2	1		Knob
3	1		PF22 Snap Ring
4	1		Shutter
5	1		Seal Ring
6	1		Collar
7	1		Body
8	1	Installed	Special Nozzle 1.25 mm
9	1	37.0451	1 Liter Bottle
10	1		1/4"x 9" Suction Hose
11	1		Spring
12	2		Ball
13	1	***	Pin
14	1		Spring
15	2	***	Seal Ring
16	1		Insert
17	1	36.0226	Filter
18	1		Adapter
19	1	***	Seal Ring
20	1		Baffle
21	1		Knob
22	1		Baffle

41.5001 Repair Kit - Includes items marked by astrisks ***



Left For Less Chemical Draw
Right For More Chemical Draw



Left For Wider Spray Pattern
Right For Narrower Spray Pattern