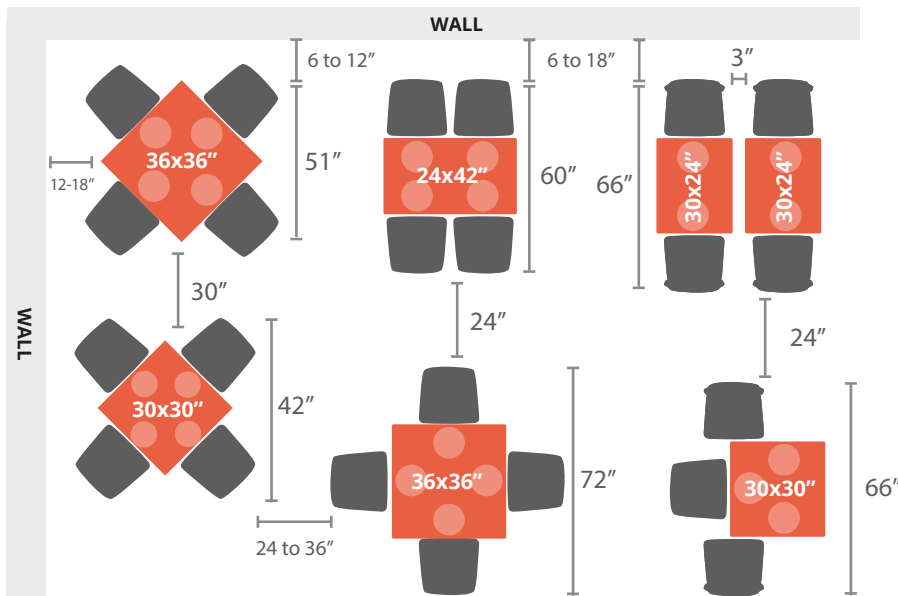




# Space Planning — Tables & Chairs

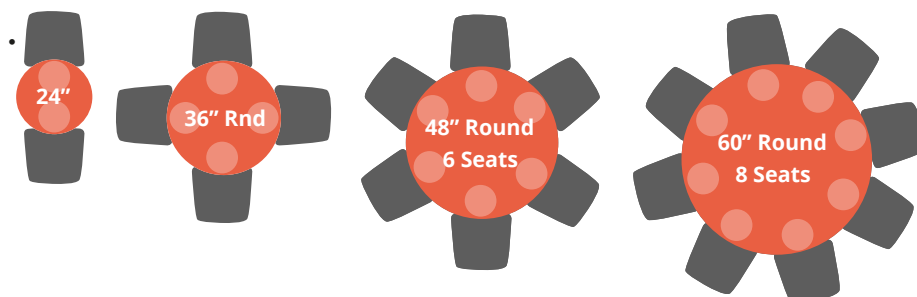
## AISLE WIDTHS:

- Wait staff aisles can be 24" to 30", with service/main aisles 36".
- Allow square inches per seat for:
  - Banquet (close seating): 96-120 sq/in per person
  - Casual Dining: 120-144 sq/in per person
  - White Tablecloth (spacious seating): 144-168 sq/in per person
- Shading representing 10" plates is shown on the diagrams below.



## TABLE SIZES / SPACE NOTES:

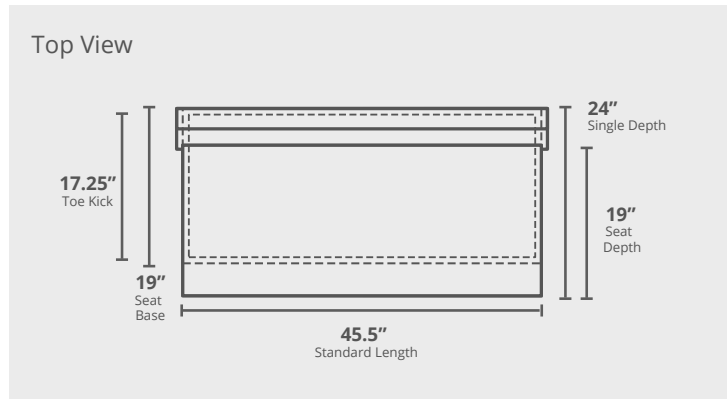
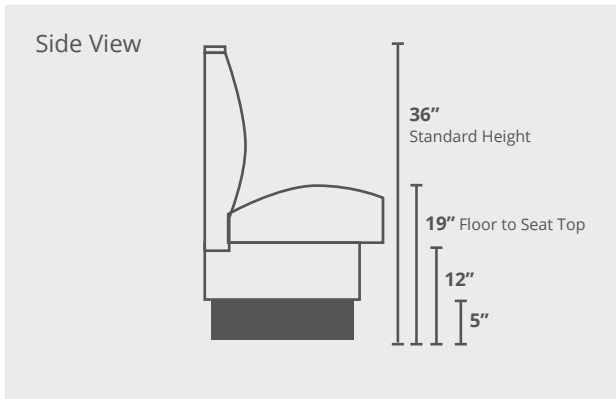
- The architectural standard for dining suggests that 300 square inches table space be allowed per diner.
  - 24" table width is a minimum, suitable for a diner. 30" is the standard width. Family dining with platters in the center should consider 36" widths.
  - Note, in a booth, that a 24" table's column only allows 10.5" for the patron's feet as they slide over. Cantilever Bases are recommended for booths with 24" table widths.
- Shading representing 10" plates are shown on the diagrams below.



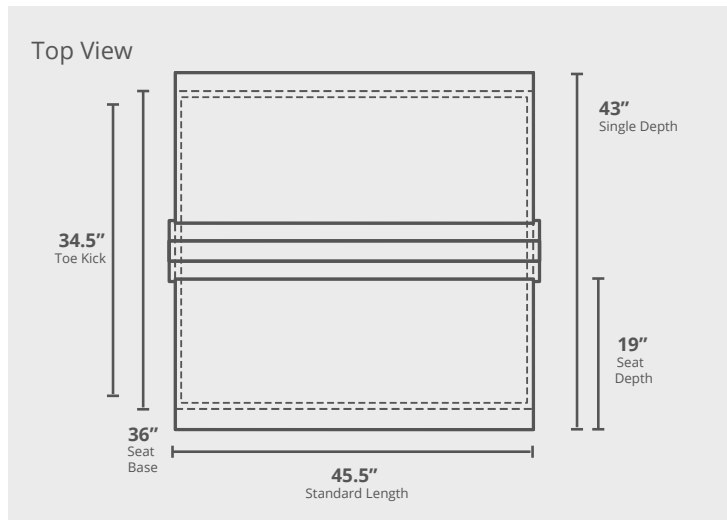
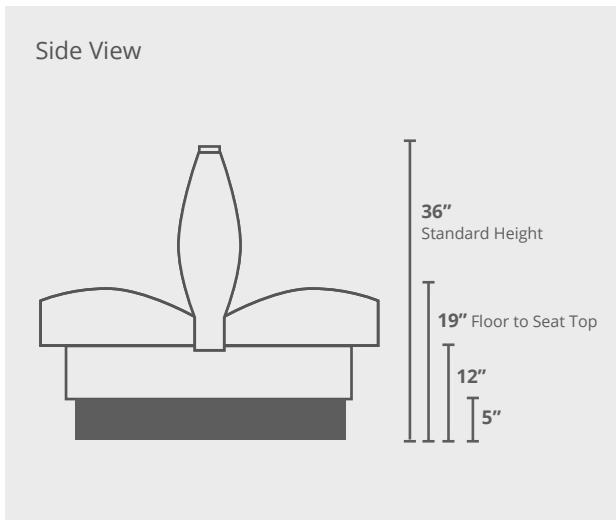


# Space Planning — Sample Booth Dimensions

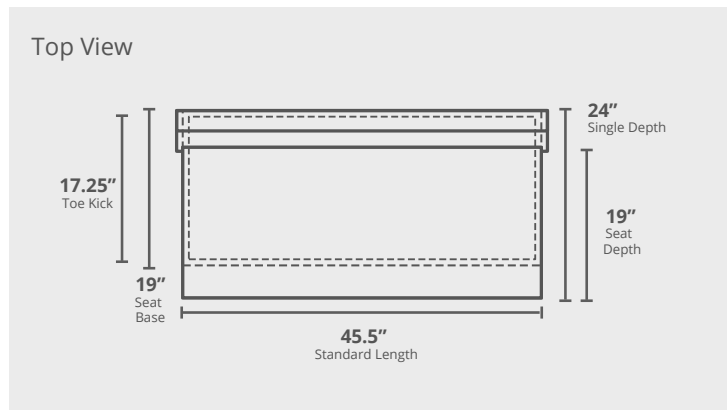
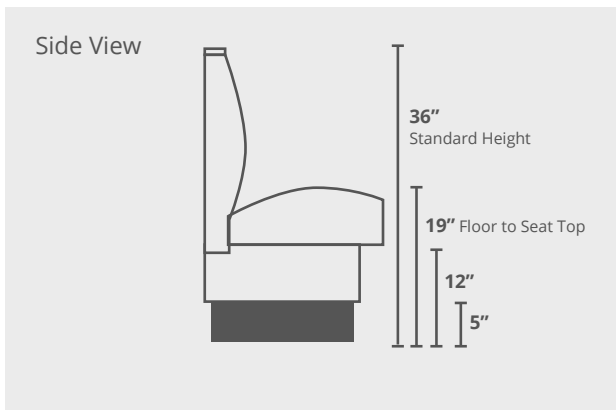
## SINGLE UPHOLSTERED BOOTH UPHOLSTERY DIMENSIONS



## DOUBLE UPHOLSTERED BOOTH UPHOLSTERY DIMENSIONS



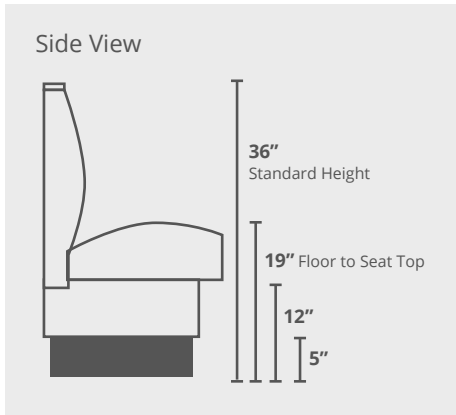
## SINGLE WOOD BOOTH DIMENSIONS



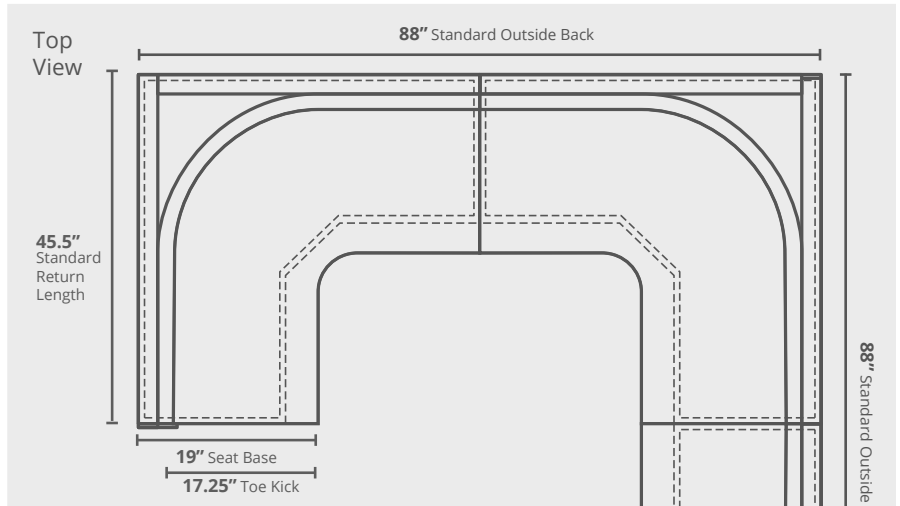


# Space Planning — Sample Circle Booth Dimensions

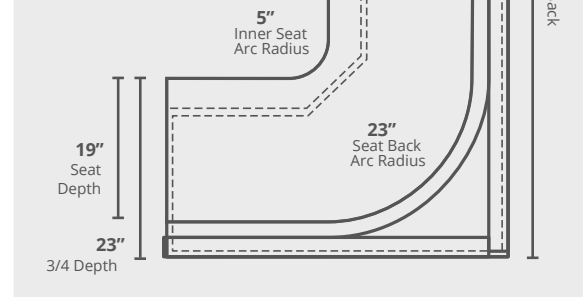
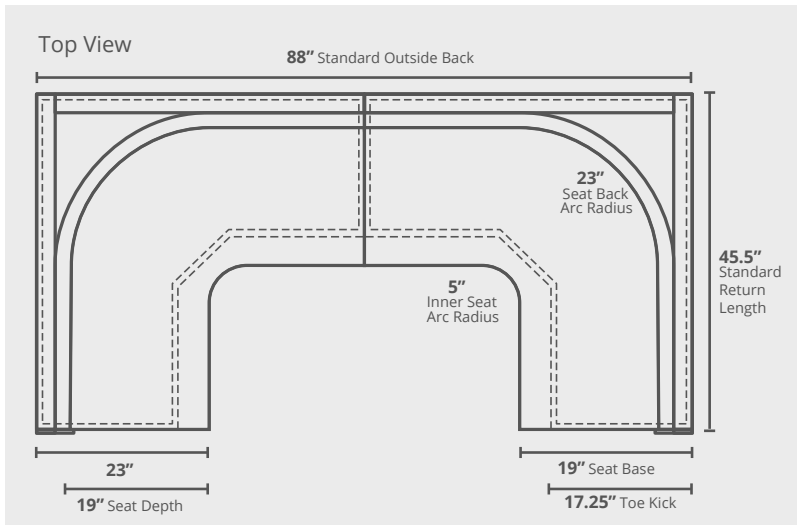
## CIRCLE UPHOLSTERED BOOTH DIMENSIONS



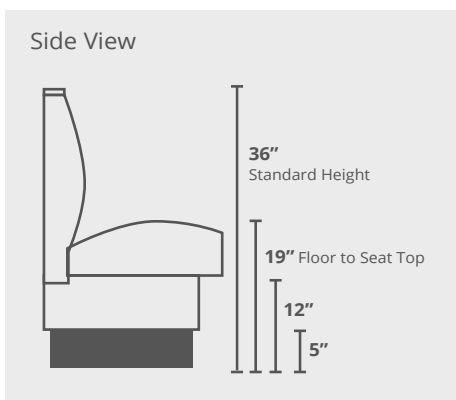
## 3/4 CIRCLE BOOTH



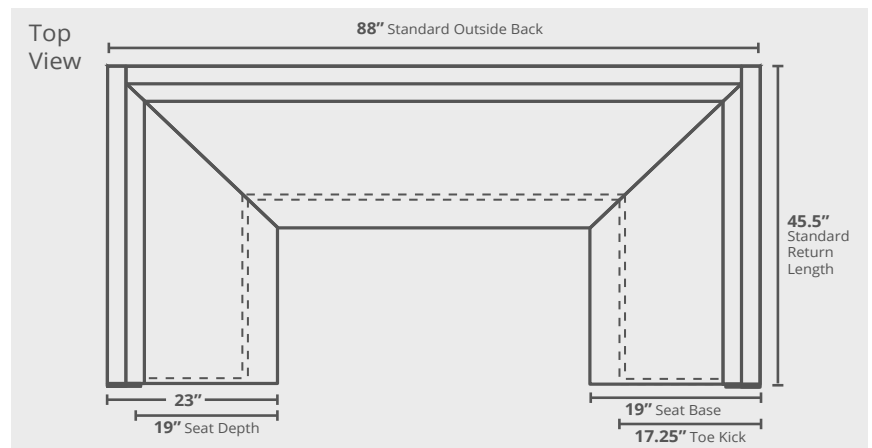
## 1/2 BOOTH

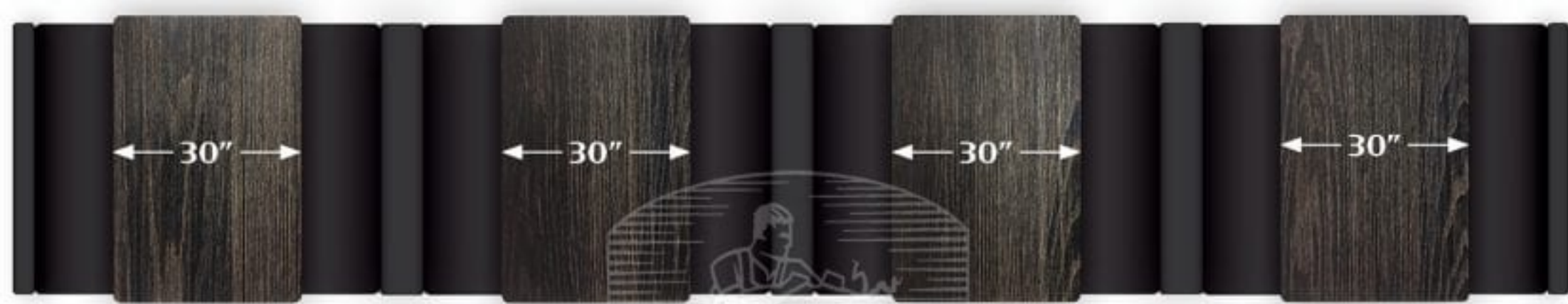


## CIRCLE WOOD BOOTH DIMENSIONS



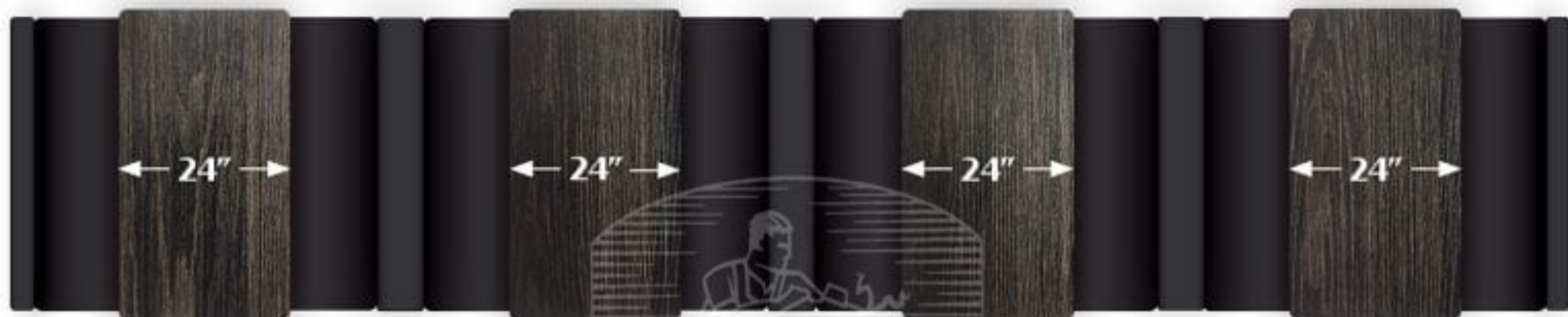
## 1/2 CIRCLE BOOTH





End booth spacing is wider to keep symmetrical dimensions between inner booths

End booth spacing is wider to keep symmetrical dimensions between inner booths



End booth spacing is wider to keep symmetrical dimensions between inner booths

End booth spacing is wider to keep symmetrical dimensions between inner booths



If seeking an ADA compliant accessible booth, a table top with a minimum width of 36" would accommodate the required clear floor area of 30" x 48".