



Oco Pro Bullet Setup Guide

Hi, I'm Oco!

I'm very easy to install.

However, if you have any questions, don't hesitate to contact our 24/7 support team at

support@getoco.com,

or call us at **1-888-683-8950** (English only).

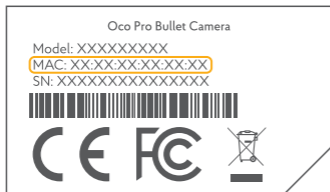
Content

Setting up your Oco	6
Connecting your Oco	8
Mounting the camera	9
Adding Cloud Storage	11
Activating Micro SD card	12
Granting Access to Other Users	13
Adjusting notifications settings	14
Adjusting the sensitivity of the motion sensor ..	14
Integrating Other Smart Devices via IFTTT	15

Setting up your Oco

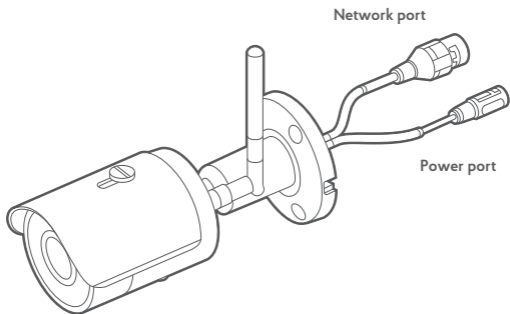
1. Log into your account at www.ivideon.com (If you do not have an Ivideon account yet, please visit www.ivideon.com and sign up). Go to “My cameras” tab and click “Add a camera or a DVR”.
2. Choose “Ivideon-powered camera”. Follow the instructions.
3. Create a name for your camera, then enter your camera MAC address.
4. Connect the Ethernet cable to the LAN IN port of your router and to the network port of the camera
5. To check that the camera is working, turn off your router, walk in front of the camera, and then turn the router on again. The event video should appear on your timeline

Note: Don't connect the power adapter to a power socket before you will be prompted!



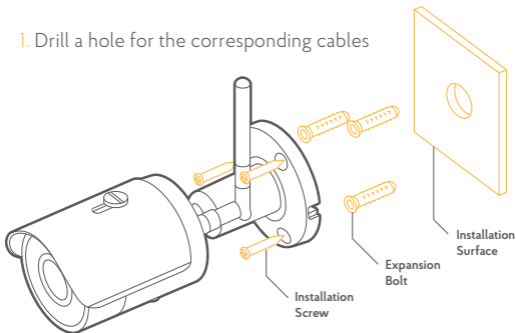
The Mac Address can be found on the sticker on the back of your camera

6. When prompted, plug the power adapter into the power outlet and click “Next”. Oco will boot and connect to the cloud.
7. Please be patient, the connection could take up to several minutes.
8. Once the camera is connected, you will be prompted to set up the WiFi connection. You can always set up the WiFi connection later, just click “Settings” icon of the selected camera (hamburger icon) and choose “WiFi settings”. Choose your Wi- Fi network and enter the password for the network. Once the camera is connected to your Wi-Fi, you can unplug the the Ethernet cable from you router/switch.
9. Download Ivideon App for your smartphone and log in with your Ivideon account.



Mounting the camera

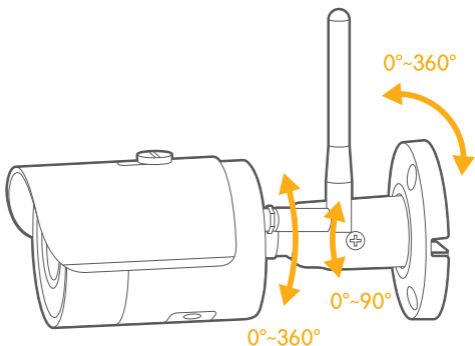
1. Drill a hole for the corresponding cables



2. Route the corresponding cables.
3. Secure the camera to the wall with the supplied Screws.

Adjust the Lens

1. Loosen the adjustable nut.
2. Adjust the pan direction [0°~360°].
3. Adjust the tilt direction [0°~90°].
4. Rotate the camera [0~360°] to adjust the lens to the appropriate surveillance angle.
5. Tighten the adjustable nut to complete the installation.



Note: Pay attention to the following precautions to prevent IR reflection:

1. Dust or grease on the dome cover will cause IR reflection. Please do not remove the dome cover film until the installation is finished. If there is dust or grease on the dome cover, clean the dome cover with clean soft cloth and isopropyl alcohol.
2. Make sure that there is no reflective surface too close to the camera lens. The IR light from the camera may reflect back into the lens, causing reflection.

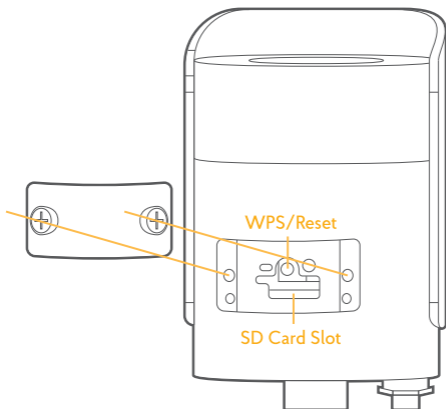
Adding Cloud Storage

1. Sometimes you'll want to add more people to your account, or you'll need to store data for a longer period. That's no problem, our Cloud plans can help.
2. You can activate extended Cloud Recordings by choosing one of the Ivideon's price plans (learn more at getoco.com).
3. Open the Ivideon App. Choose Camera Settings -> Cloud Archive, and follow the Setup Wizard.

Note: if you are using the camera for home monitoring and don't see our Free Plan, then please contact support@getoco.com for manual activation.

Activating Micro SD card

1. With Oco Pro, you can use Micro SD card as a local backup storage. Please note that the Data will be processed in the Cloud and can only be accessed using the Ivideon App. Oco supports Micro SD cards up to 128 GB with speed class 6 or higher.
2. Move the Micro SD/Reset/WPS Cover aside to see the Reset button, WPS button and the micro SD card slot. Insert the card.



3. Reboot the camera by turning the power off and on again.
4. The timeline with archive recordings should appear in the App.
5. To check that the camera is working, turn off your router, walk in front of the camera, and then turn the router on again. The event video should appear on your timeline.

Granting access to other users

1. You can use this feature if you wish to grant access to your Oco camera to other users.
2. In the App, choose your Camera and then tap Camera settings → Grant access

Adjusting notifications settings

1. You can choose which types of notifications you would like to receive – e-mail, push, or both.
2. In your Ivideon app, choose Camera and tap Camera settings → Notifications (Settings)

Adjusting the sensitivity of the motion sensor

1. Oco uses an intelligent self-learning algorithm to avoid false notifications. It literally gets smarter every hour you use your camera.
2. However, if you'd like to adjust sensitivity of the sensor manually, then open your Ivideon App, choose Camera and tap Camera settings → Motion

Integrating Other Smart Devices via IFTTT

1. With IFTTT, your Oco camera can communicate with other smart devices, or function according to your geolocation, weather, or even the moon phase.
2. To setup IFTTT integration, download the IFTTT App, create an account and follow the App instructions.
3. Use one of the existing recipes or create your own at http://ifttt.com/oco_camera

Follow us for product updates,
security tips, and special deals.



getococamera