

PRODUCT CATALOG

*The Leader in
Fueling Systems Since 1967*

WORK FASTER, CLEANER, SAFER

Wiggins
Systems



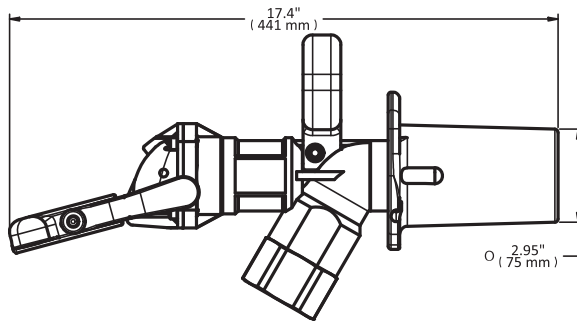
Refueling Nozzles

ZZ9A1



- Industry-standard diesel refueling nozzle
- 150 gpm (570 lpm) maximum flow rate
- Automatic shutoff; works with pressurizing and non-pressurizing systems
- 1.5" NPT female inlet thread
- Durable, dependable Elast-O-Dog latching
- Field-replaceable components

Min. Flow Rate	25 gpm (95 lpm)
Max. Flow Rate	150 gpm (570 lpm)
Operating Pressure	75 psig (520 kPa)
Weight	5.64 lbs (2.56 kg)



ZZ9A2



- High-flow rate diesel refueling nozzle
- 211 gpm (800 lpm) maximum flow rate
- Automatic shutoff; works with pressurizing and non-pressurizing systems
- 2" NPT female inlet thread
- Durable, dependable Elast-O-Dog latching
- Field-replaceable components

Min. Flow Rate	25 gpm (95 lpm)
Max. Flow Rate	211 gpm (800 lpm)
Operating Pressure	75 psig (520 kPa)
Weight	6.10 lbs (2.77 kg)

