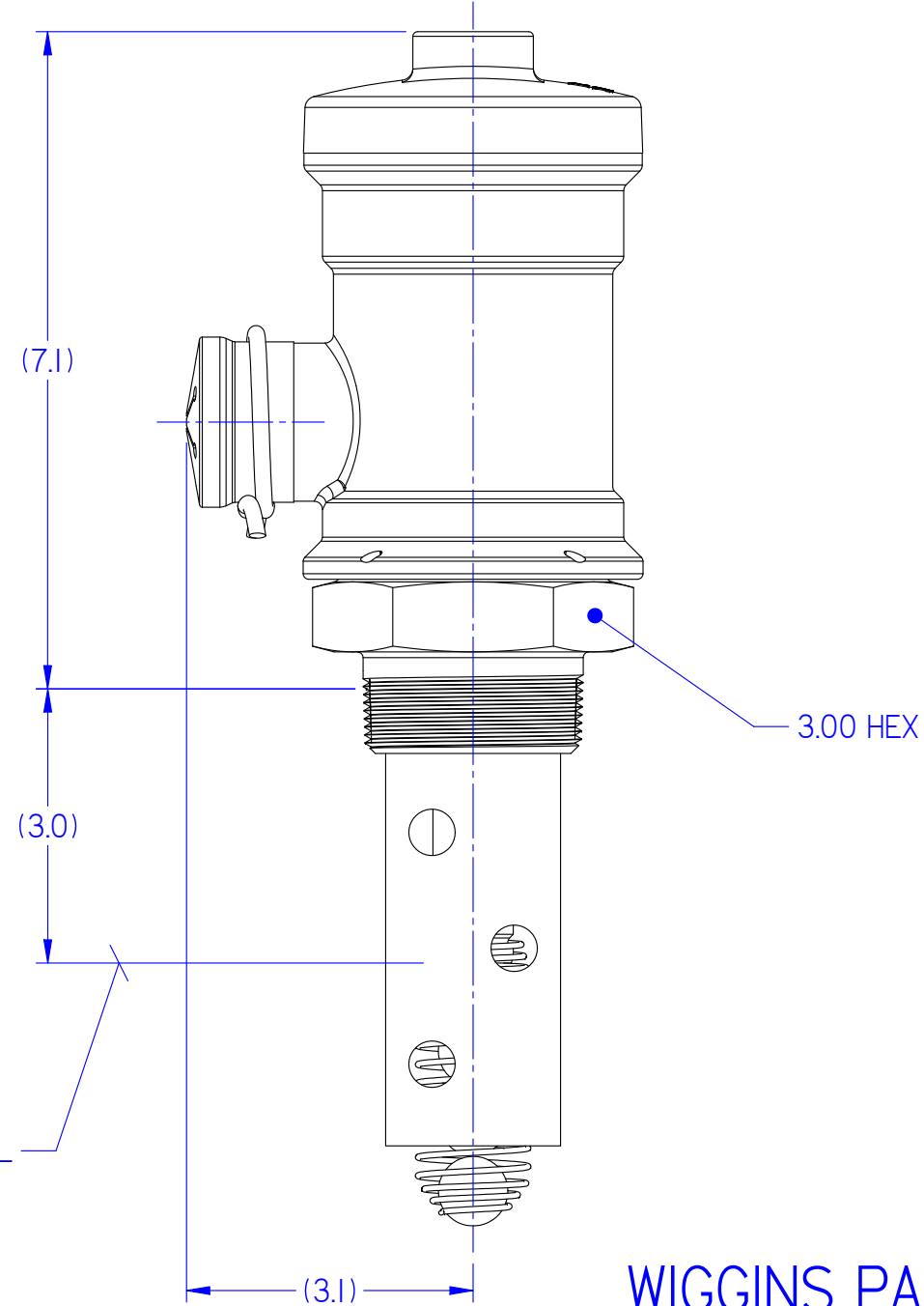
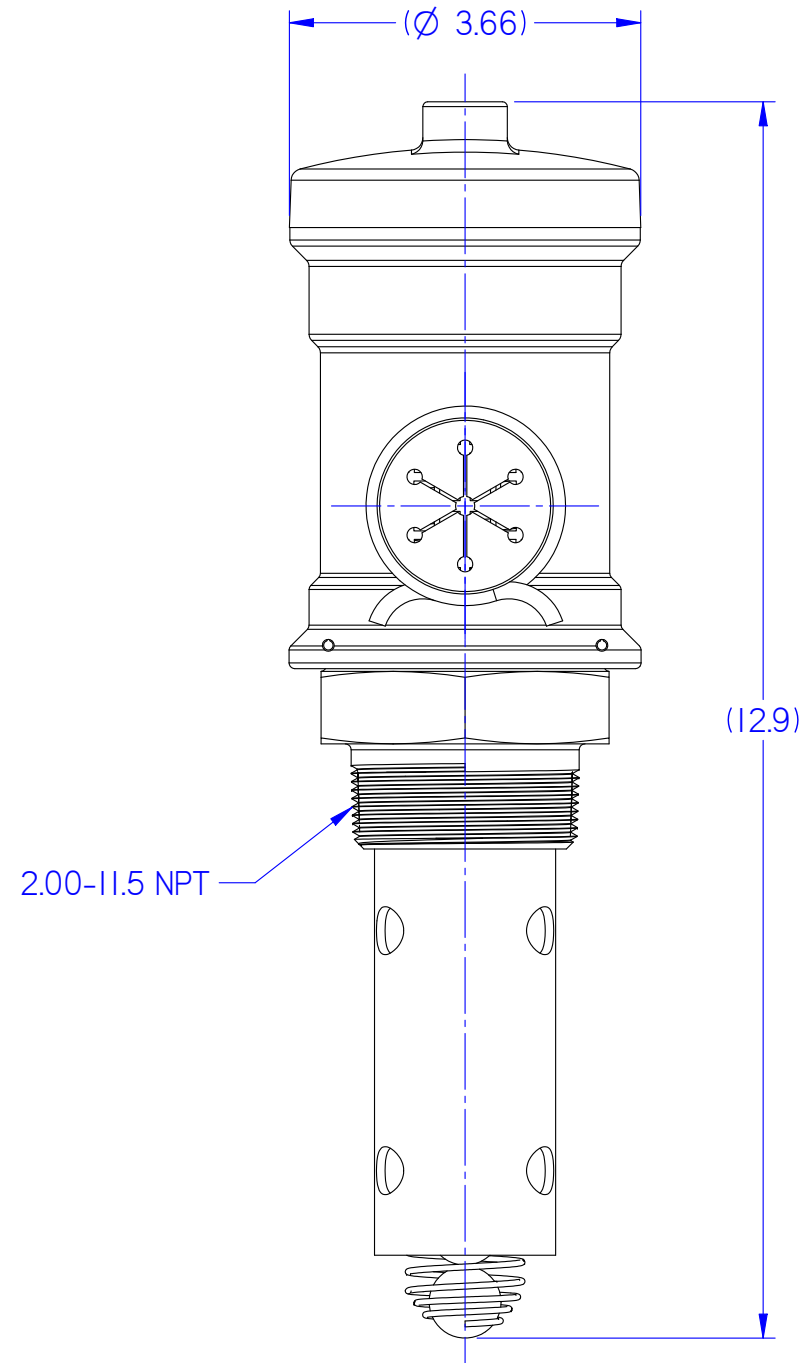


CHG BY		CHK BY		RELEASE		REVISIONS		DATE		APPROVED	
NO	BY	NO	BY	NO	BY	NO	DESCRIPTION	NO	DATE	NO	NAME



## WIGGINS PART NUMBER ZVI3H ENVELOPE DRAWING

2 CONTAINS 10 MICRON FILTER  
1 RELIEF PRESSURE: 10.4 - 11.3 PSIG

NOTES: UNLESS OTHERWISE SPECIFIED

THIS DRAWING IS PROTECTED UNDER COPYRIGHT LAW AND IS THE PROPERTY OF ADEL WIGGINS GROUP, TRANSDIGM INC. DATA CONTAINED HEREIN IS PROPRIETARY TO ADEL WIGGINS GROUP, TRANSDIGM INC. THIS DRAWING AND/OR ANY PART OF THE DATA CONTAINED HEREIN MAY NOT BE COPIED, DUPLICATED OR RELEASED FOR MANUFACTURING OR SALE OF EQUIPMENT OUTSIDE OF ADEL WIGGINS GROUP, TRANSDIGM INC. OR AFFILIATES WITHOUT THE WRITTEN CONSENT OF ADEL WIGGINS GROUP, TRANSDIGM INC.  
REV. 12/95

FIND NO	QTY RECD	PART OR IDENTIFYING NO	NOMENCLATURE OR DESCRIPTION	MATERIAL	MATERIAL SPEC	FINISH	FINISH SPEC
PARTS LIST							
			UNLESS OTHERWISE SPECIFIED	DRAWN C. QUANG	11-12-16	 ADELWIGGINS GROUP LOS ANGELES, CA 90022 TITLE <b>ZVI3H VENT ASSEMBLY</b> ENVELOPE DRAWING	
			DIMENSIONS ARE IN INCHES	CHECK			
			TOLERANCES ON ANGLES ± 2°	DESIGN			
			DECIMALS .XX ± .03 DECIMALS .XXX ± .010	MFG ENGR			
			INTERPRET SPC FLAGS IN ACCORDANCE WITH ADEL WIGGINS GSP 569	QUALITY		SIZE D	FSCM NO 79326
			ALL FILLETS, CORNERS AND EDGES R018/005	APPROVED		DWG NO	REV
				CUSTOMER OR GOVT INSP APPROVAL		SCALE 1/1	EST WT 2.02 LB
						SHEET 1	OF 1