

# PRODUCT CATALOG

*The Leader in  
Fueling Systems Since 1967*

**WORK FASTER, CLEANER, SAFER**

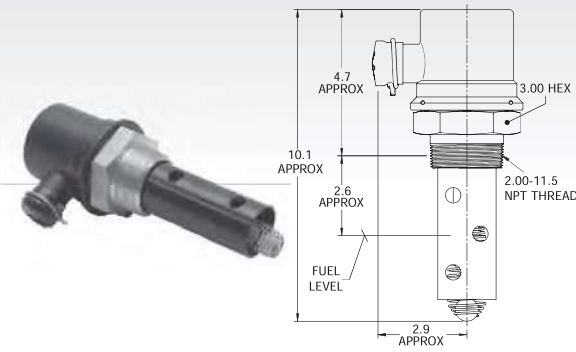
**Wiggins**  
S<sub>ystems</sub>



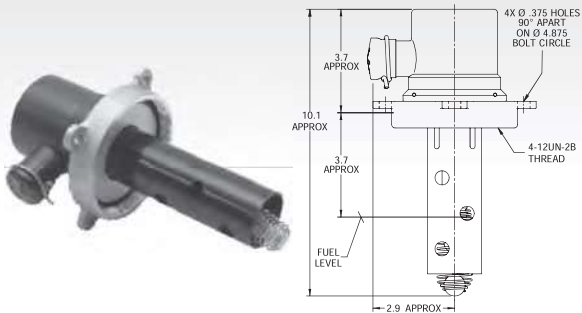


# Fuel Tank Vents

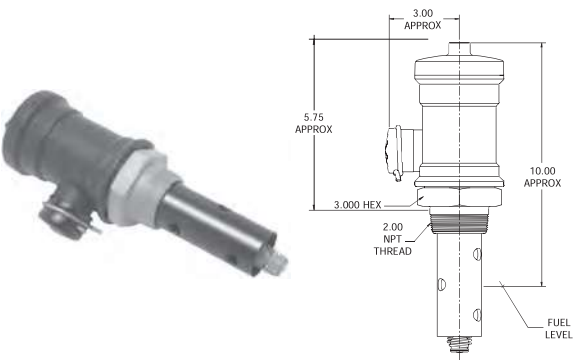
## ZV10



## ZV11



## ZV13



## ZV23



► Data Table

Vent Model	Mounting Style	Length	Pressure Relief	Rebuild Kit Number
ZV10	Pipe Thread	9.375"	10.2 - 12.9 psi	K30285
ZV10A	Welded Half-Coupling	9.375"	10.2 - 12.9 psi	K30285
ZV10B	Flange/Gasket	9.375"	10.2 - 12.9 psi	K30285
ZV10C	Same as ZV10 w/Threaded Outlet	9.500"	10.2 - 12.9 psi	K30285
ZV10F	Same as ZV10 w/Long Stem	12.50"	10.2 - 12.9 psi	K30285
ZV11	Gas Cap Mount	9.312"	10.2 - 12.9 psi	K30285
ZV11A	Gas Cap Mount w/Long Stem	12.50"	10.2 - 12.9 psi	K30285
ZV13	Vented Pipe Thread	12.00"	10.4 - 11.3 psi	N/A
ZV13F	Long Stem	14.70"	10.4 - 11.3 psi	N/A

fuel tank vents