

# PRODUCT CATALOG

*The Leader in  
Fueling Systems Since 1967*

**WORK FASTER, CLEANER, SAFER**

**Wiggins**  
Systems

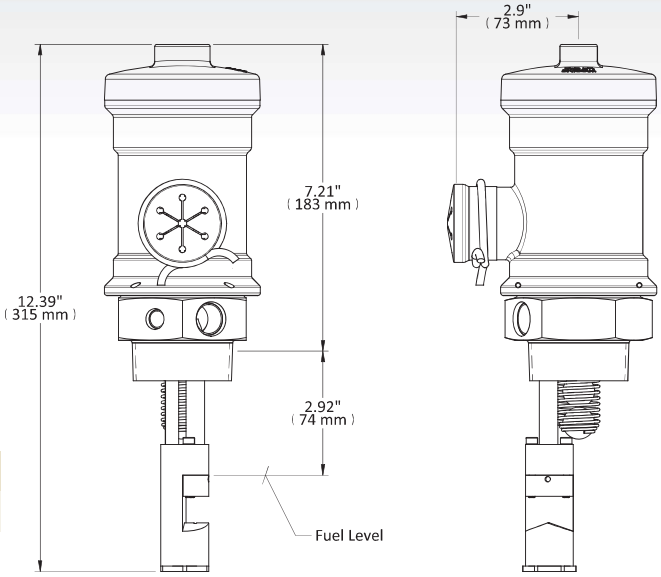


# JVXF



- Vent assembly with integrated jet level sensor and 10 micron filter
- Short sensor length

**Operating Pressure** 75 psig (520 kPa)  
**Weight** 2.27 lbs (1.03 kg)



# JVXFL



- Vent assembly with integrated jet level sensor and 10 micron filter
- Long sensor length

**Operating Pressure** 75 psig (520 kPa)  
**Weight** 2.29 lbs (1.04 kg)

