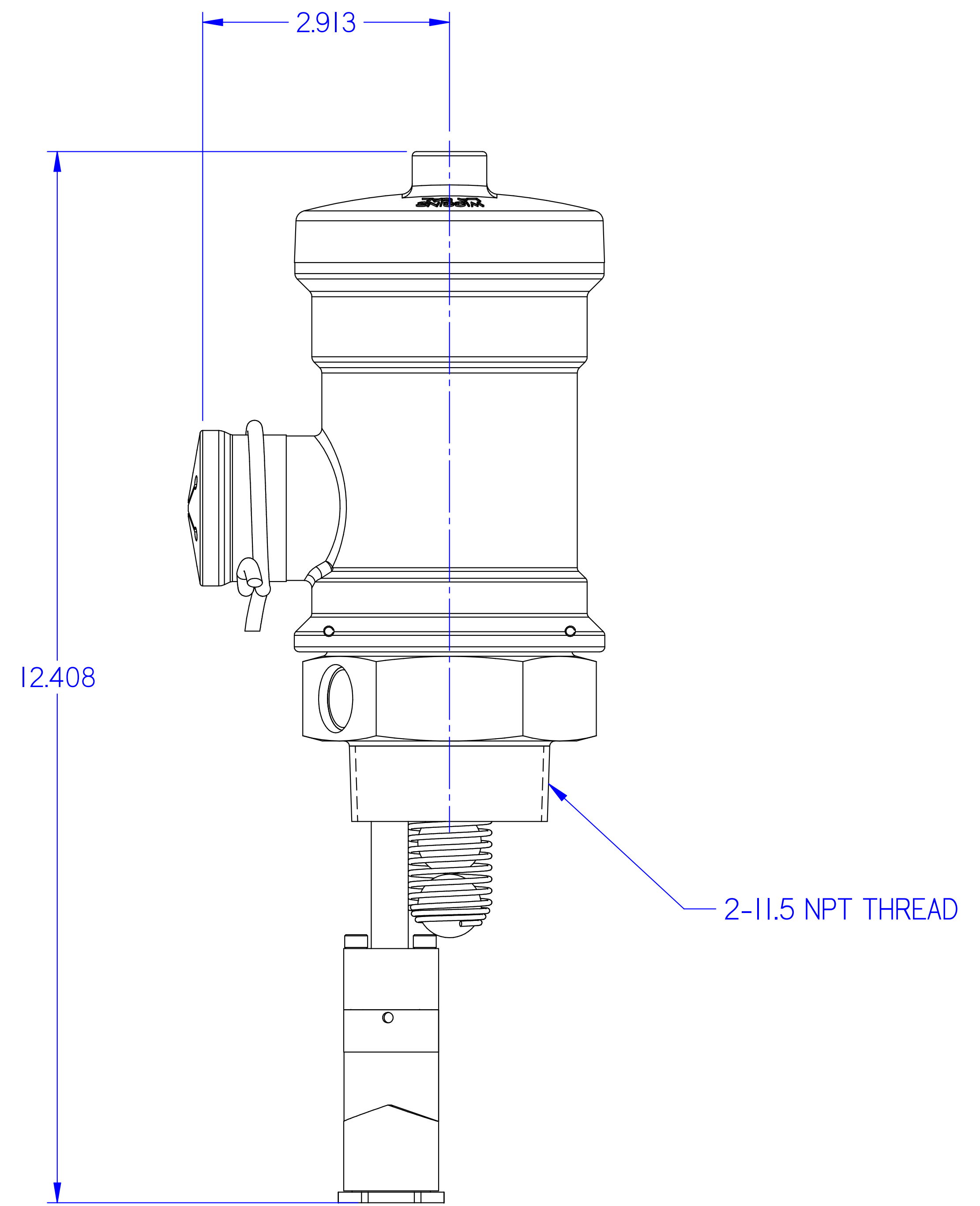
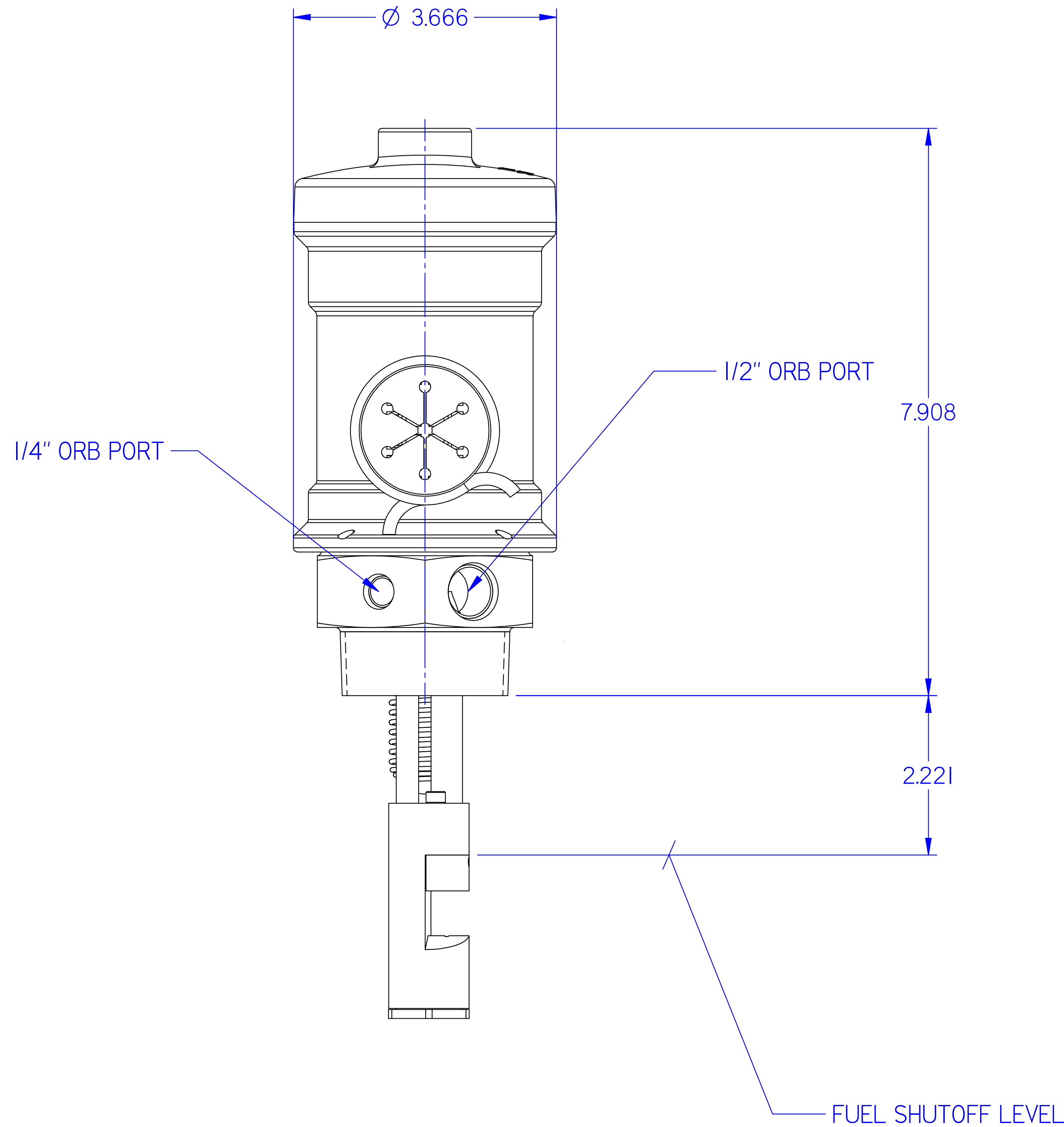


CHG BY	CHK BY	RELEASE	REVISIONS		
REV	DESCRIPTION	DATE	APPROVED		



WIGGINS PART NUMBER JVXF ENVELOPE DRAWING

2 CALCULATED VALVE RELIEF PRESSURE: 3.0 ± 0.5 PSIG
1 FOR USE WITH WIGGINS NON-PRESSURIZING SYSTEMS
NOTES: UNLESS OTHERWISE SPECIFIED

THIS DRAWING IS PROTECTED UNDER COPYRIGHT LAW AND IS THE PROPERTY OF ADEL WIGGINS GROUP, TRANSDIGM INC. DATA CONTAINED HEREIN IS PROPRIETARY TO ADEL WIGGINS GROUP, TRANSDIGM INC. THIS DRAWING AND/OR ANY PART OF THE DATA CONTAINED HEREIN MAY NOT BE COPIED, DUPLICATED OR RELEASED FOR MANUFACTURING OR SALE OF EQUIPMENT OUTSIDE OF ADEL WIGGINS GROUP, TRANSDIGM INC. OR AFFILIATES WITHOUT THE WRITTEN CONSENT OF ADEL WIGGINS GROUP, TRANSDIGM INC.
REV. 12/95

FIG NO	QTY REQD	PART OR IDENTIFYING NO	NOMENCLATURE OR DESCRIPTION	MATERIAL	MATERIAL SPEC	FINISH	FINISH SPEC		
PARTS LIST									
			UNLESS OTHERWISE SPECIFIED	DRAWN	T. MASSAR	18-03-29			
			DIMENSIONS ARE IN INCHES	CHECK					
			TOLERANCES ON	DESIGN					
			ANGLES ± 2°	MFG ENGR					
			DECIMALS .XX ± .03	QUALITY					
			DECIMALS .XXX ± .010	APPROVED					
			INTERPRET SPC FLAGS IN ACCORDANCE WITH ADEL WIGGINS GSP 569						
			ALL FILLETS, CORNERS AND EDGES R018/005						
NEXT ASSY		✓ SURFACE FINISH	INTERPRET DWG PER MIL-STD-100	CUSTOMER OR GOVT INSP APPROVAL		SIZE	FSCM NO	DWG NO	REV
						D	79326		
						SCALE	EST WT		
						1/1	2.32 LB	SHEET	1 OF 1

ADELWIGGINS GROUP
LOS ANGELES, CA 90022

JVXF
INTEGRATED JET SENSOR/VENT ASSEMBLY