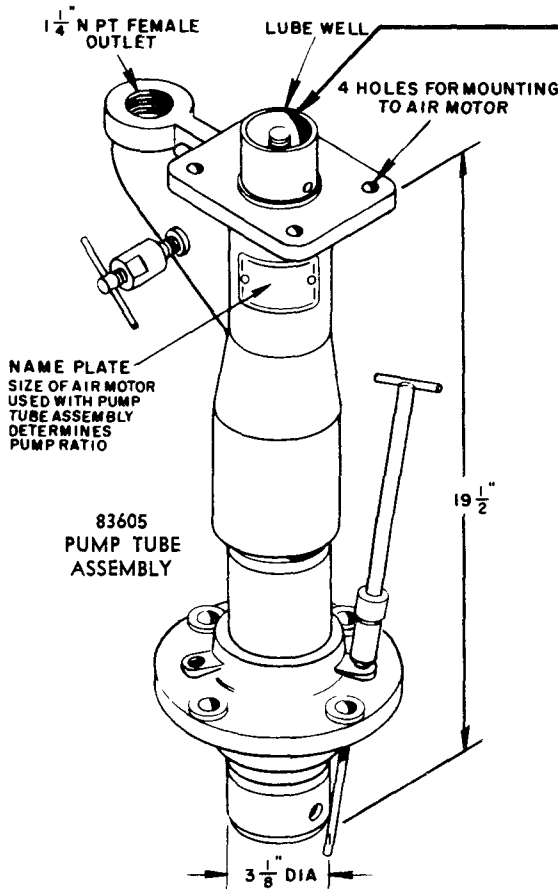
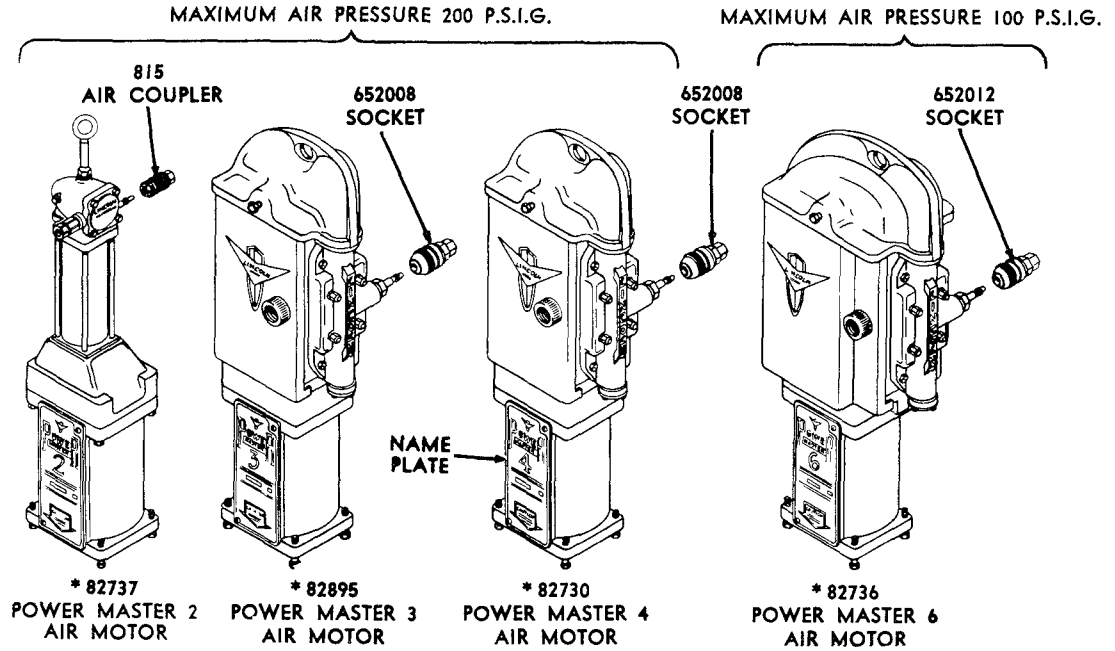


POWER-MASTER "PILE DRIVER" MATERIAL PUMPS

IT IS DANGEROUS TO OPERATE THESE
UNITS WITH COMBUSTIBLE GAS



Models 2105, 2125,
2145, 2165
Series C



GLAND PACKING LUBE WELL

Many materials such as ink, undercoating, buffing compounds etc., display a tendency to build up and dry out on the Pump Rod. These hard dried out materials cause the Gland Packings to wear out rapidly and leakage results. If the material can be prevented from drying and hardening on the Pump Rod the Gland Packings can be expected to render normal amount of service.

The Lube Well should be filled with a fluid compatible with the material that is to be pumped. This fluid will prevent the material from drying out on the Pump Rod and becoming abrasive.

The Lube Well is accessible for inspection and filling by removing the Power-Master name plate from the side of the Air-Motor.

CAUTION: Do not fill Lube Well to full capacity as the reciprocating movement of the Air Motor Piston Rod may draw the fluid into the Air Motor.

MODEL NO.	POWER-MASTER AIR MOTOR	PUMP TUBE	RATIO
2105	82737	83605	8:1
2125	82895	83605	12:1
2145	82730	83605	24:1
2165	82736	83605	48:1

* POWER MASTER AIR MOTORS

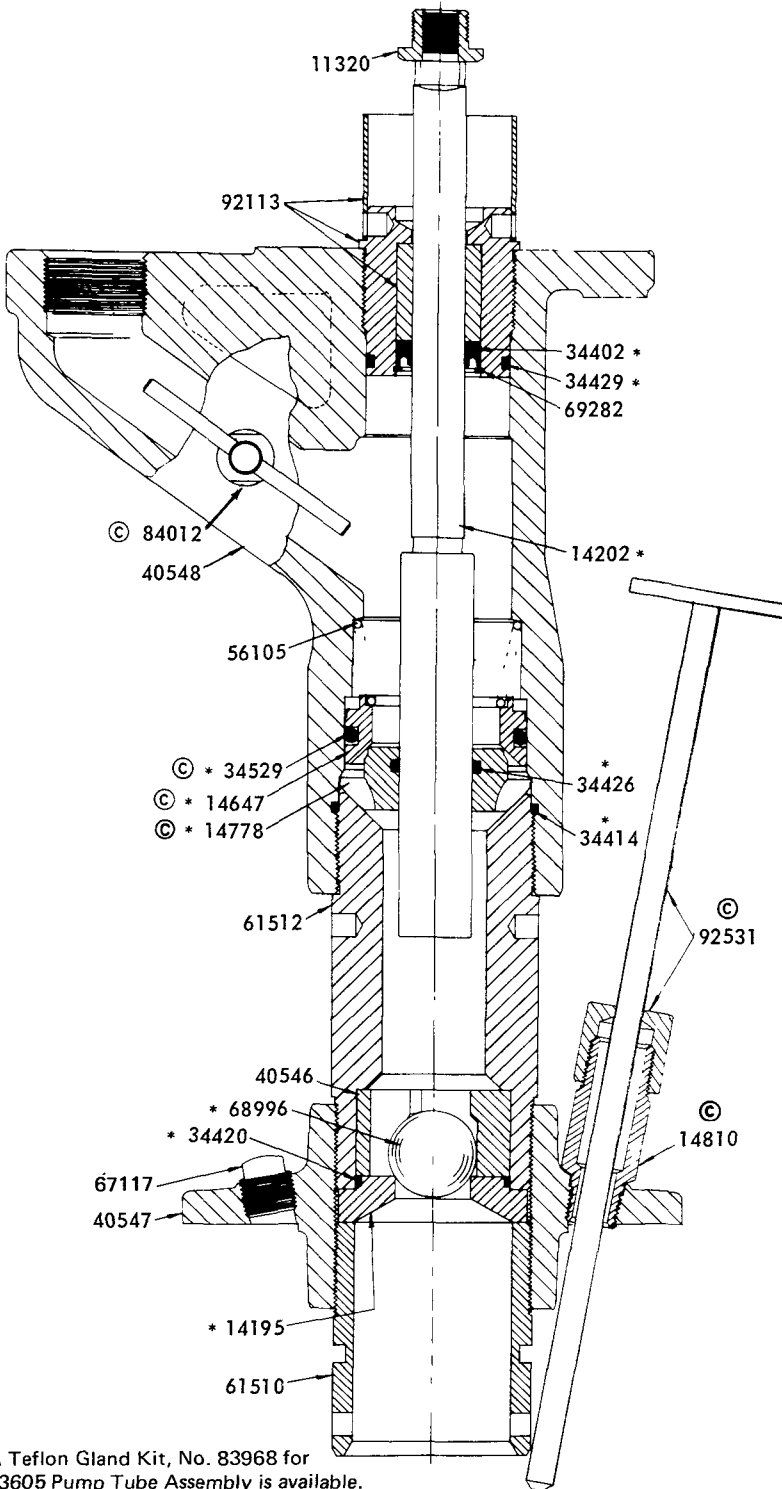
- 82737 — REFER TO SECTION A50, PAGE 1 SERIES
- 82895 — REFER TO SECTION A50, PAGE 2 SERIES
- 82730 — REFER TO SECTION A-50, PAGE 3 SERIES
- 82736 — REFER TO SECTION A-50, PAGE 4 SERIES

LINCOLN ST. LOUIS
4010 GOODFELLOW BLVD • ST LOUIS, MO 63120 • (314) 383 5900



SECTION - **A50**
PAGE - **32B**

83605 PUMP TUBE ASSEMBLY



A Teflon Gland Kit, No. 83968 for 83605 Pump Tube Assembly is available.

FOR SERVICE OF PUMP TUBE ASSEMBLY:

69278 Adjustable Spanner Wrench

SERVICE OF LOWER PUMPING UNIT

Loss of volume and pressure or continuous operation of pump when not in normal use indicates:

1. Material supply in drum may not be adequate.
2. Air supply may not be adequate. Check setting of air regulator of air supply line.
3. Pump may operate on the down stroke only, due to material by-passing around the 14647 Check. Inspect 14647 Check, 14778 Check Bushing, 34529 "O" Ring and 34426 "O" Ring for wear. Replace parts if necessary.
4. Pump is operating but not dispensing material. Check in Foot Valve is not seating. Inspect Check and Seat for foreign particles or wear. Inspect "O" Ring in Check. Priming Rod may be scored, pitted or worn. Replace parts if necessary.
5. Material by-passing "U" Cup Packing in Gland Assembly. Inspect "U" Cup Packing and replace if necessary.
6. Piston Rod may be scored, pitted or worn. Replace Piston Rod.
7. Dirt or other foreign material may be lodged between the 14647 Check and 14778 Check Bushing. Inspect seating surfaces of these parts, and if pitted or rough, either refinish the surfaces or replace the parts.

REPAIR PARTS LIST

Part No.	Description
11320	Coupling Adapter
14195	Check Seat
14202	Plunger
14647	Check
14778	Check Bushing
14810	Adapter
34402	U-Cup Packing (Polyurethane)
34414	O-Ring
34420	O-Ring
34426	O-Ring (Polyurethane)
34429	Tetraseal
34529	O-Ring (Polyurethane)
40546	Ball Cage Casting
40547	Adapter Plate Casting
40548	Outlet Body
56105	Check Spring
61510	Tube
61512	Tube
67117	Pipe Plug
68996	Ball
69278	Adjustable Spanner Wrench
69282	Retaining Ring
82730	Power-Master 4 Air Motor
82736	Power-Master 6 Air Motor
82737	Power-Master 2 Air Motor
82895	Power-Master 3 Air Motor
83605	Pump Tube Assembly
84012	Bleeder Valve
92113	Bushing & Gland Nut Assembly
92531	Priming Plug Assembly

*Indicates parts to be kept on hand for replacement purposes.

© INDICATES CHANGE

RETAIN THIS INFORMATION FOR FUTURE REFERENCE

When ordering Replacement Parts, List Part Numbers, Description, Model Number, and Series Letter.

LINCOLN ST. LOUIS Provides a Distributor Network that stocks Equipment and Replacement Parts.

Repairs by Authorized Service Depts. List furnished upon request.