

MODEL 84004

(For use with petroleum or synthetic based oil or grease.)
A - 69524 filter element

MODEL 84528

(for use with grease per NLGI recommended practice.)
A - 328073 filter element

SPECIFICATIONS

Max. Operating Pressure - 3500 psi
84004 Filter Element • 140 micros (100 mesh screen)
84528 Filter Element • 567© micros (30© mesh screen)

- CAUTION -

A BLOCKED FILTER CAN DISINTEGRATE UNDER PRESSURE AND DAMAGE AN ENTIRE CENTRO-MATIC SYSTEM.

Remove and inspect filter element every 30 days. Vent system pressure before removing filter plug to inspect filter element. Clean thoroughly with solvent or replace if necessary.

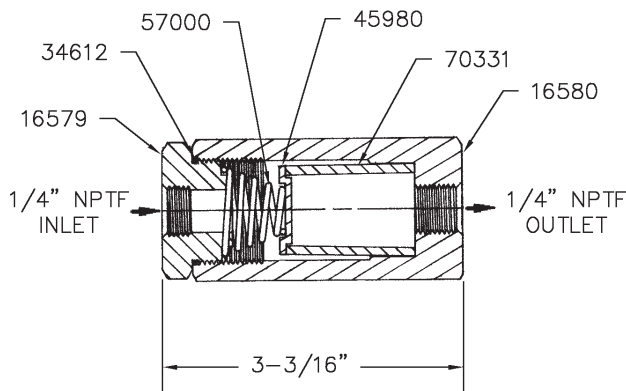
On abnormal pressure raise, for example when the filter is clogged, the filter plug (item 4) can unseat, thus allowing unfiltered flow of lubricant from the outlet of the filter body.

- IMPORTANT -

Should a system begin to develop higher than normal operating pressures, the filter element should be checked for contamination. Clean filter element with solvent or replace if necessary.

SERVICE PARTS FOR ALL MODELS

PART	DESCRIPTION	PART	DESCRIPTION
14769	Plug	45980	Retainer
14770	Filter plug	55382	Spring
16579	Enclosure Screw	57000	Spring
16580	Filter Body	69524	Filter Element
31002	Gasket	70331	Filter Element
34612	O-ring	91839	Body

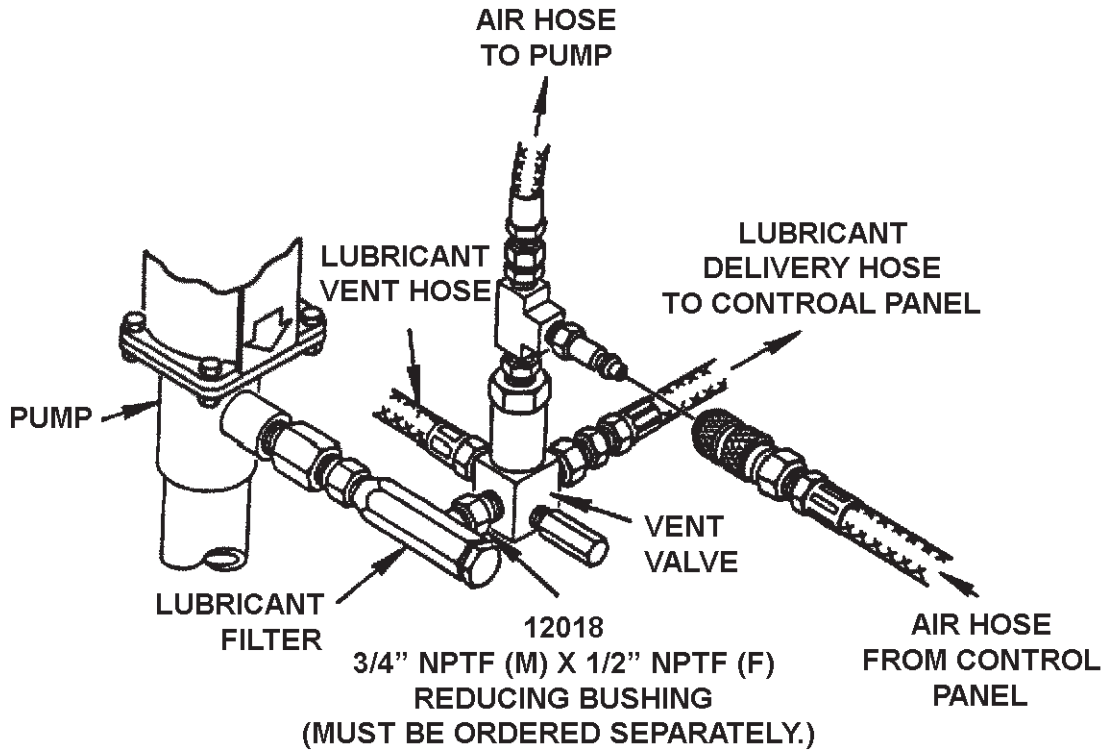


MODEL 84239

(For use with petroleum or synthetic base oils.)

SPECIFICATIONS

Max. Operating Pressure - 6000 psi
Filter Element • 10 micron (sintered bronze)



RETAIN THIS INFORMATION FOR FUTURE REFERENCE

When ordering replacement parts, list: Part Number, Description, Model Number, and Series Letter. LINCOLN provides a Distributor Network that stocks equipment and replacement parts. A list of Authorized Service Departments will be furnished upon request.

Americas:
 One Lincoln Way
 St. Louis, MO 63120-1578
 USA
 Phone +1.314.679.4200
 Fax +1.800.424.5359

Europe/Africa:
 Heinrich-Hertz-Str 2-8
 D-69183 Walldorf
 Germany
 Phone +49.6227.33.0
 Fax +49.6227.33.259

Asia/Pacific:
 51 Changi Business Park
 Central 2
 #09-06 The Signature
 Singapore 486066
 Phone +65.6588.0188
 Fax +65.6588.3438

© Copyright 2006
 Printed in USA

Web site:
www.lincolnindustrial.com