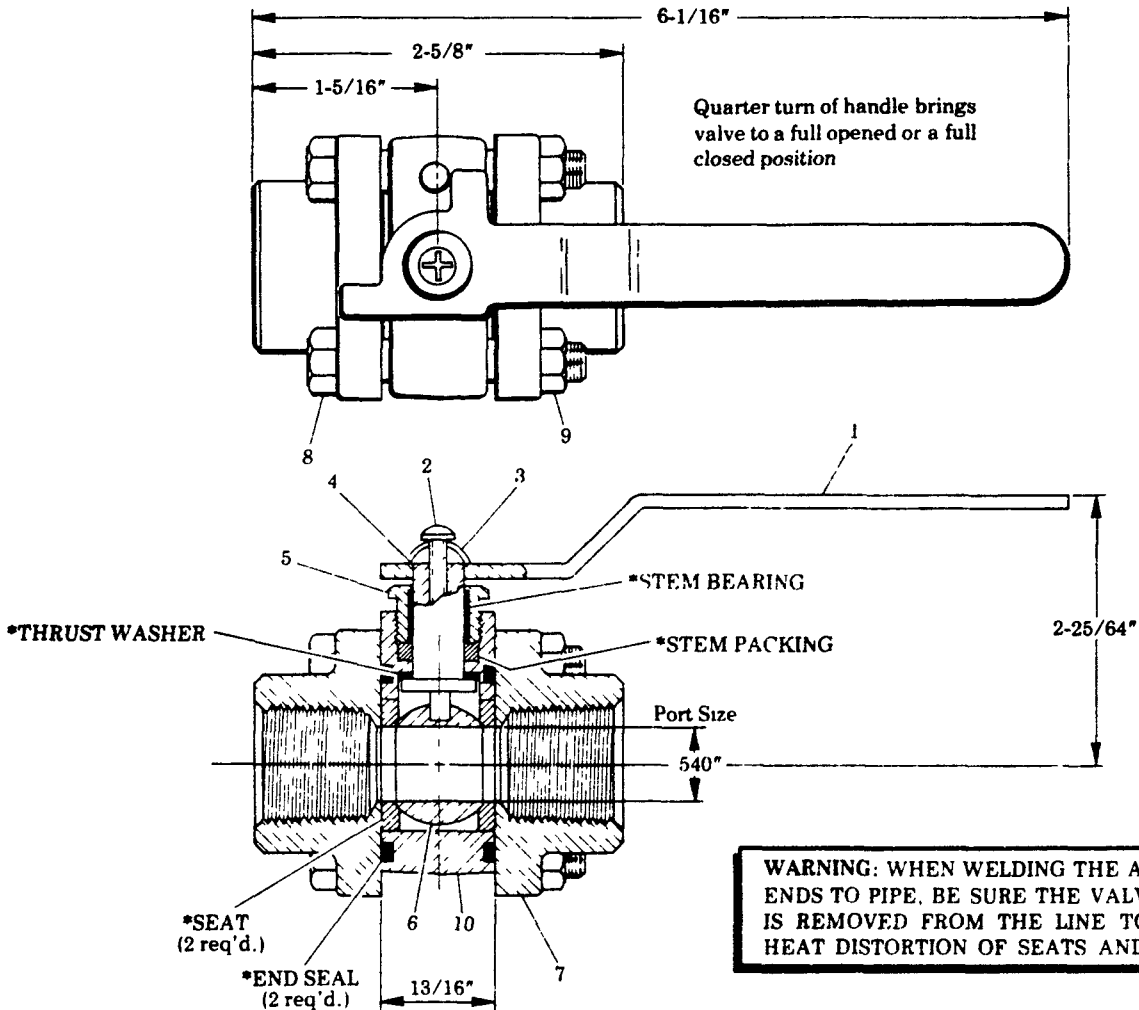


BALL VALVES

CARBON STEEL

Models 66499, 69422, 69423, 69425, 69503, 69504



WARNING: WHEN WELDING THE ADAPTER ENDS TO PIPE, BE SURE THE VALVE BODY IS REMOVED FROM THE LINE TO AVOID HEAT DISTORTION OF SEATS AND SEALS

MODEL	Valve Capacity Cv (Approx)	Valve Rated at
66499	7.0 GPM	2500 PSI
69503	10.2 GPM	2500 PSI

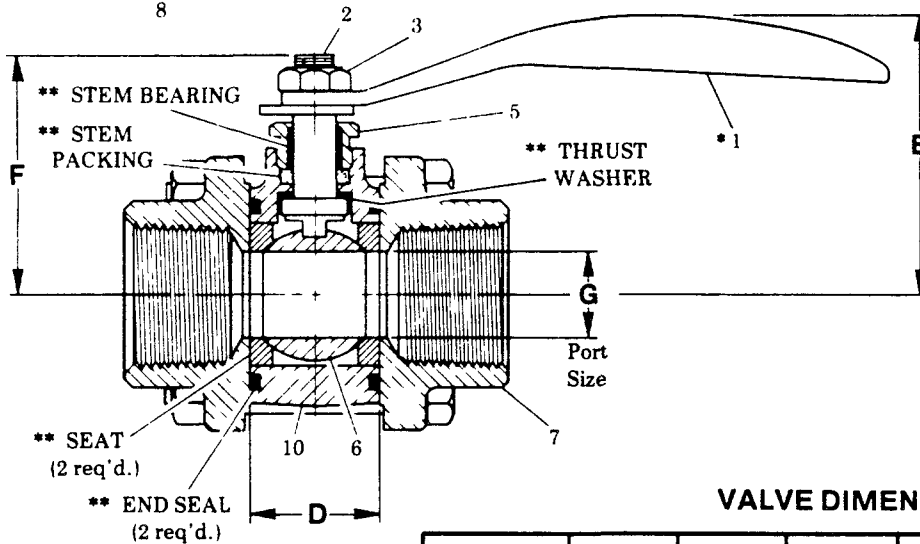
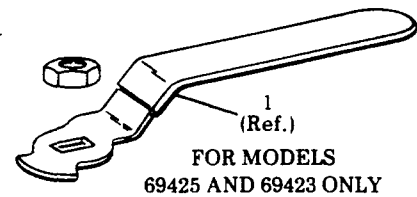
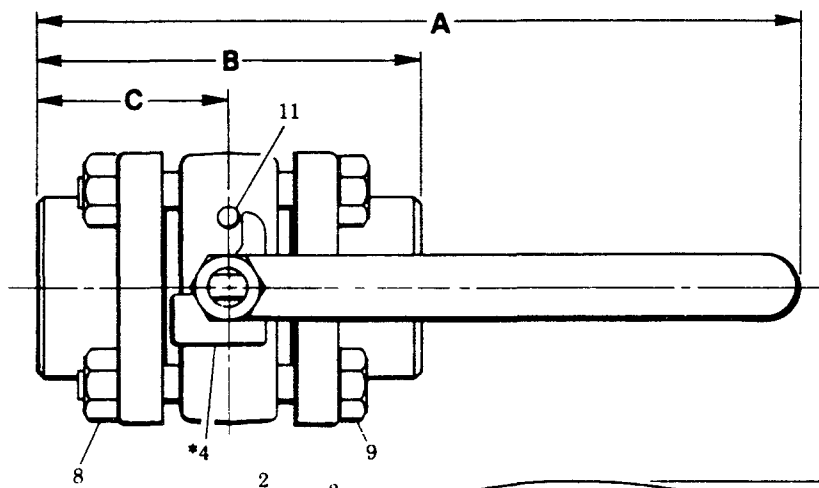
Cv is a flow coefficient for valves. It expresses valve capacity in terms of the flow rate in GPM of 60° F water with a one PSI pressure drop across the valve.

SERVICE PARTS			MODELS	
CODE	QUAN	DESCRIPTION	66499 3/8" NPT	69503 1/2" NPT
1	1	Handle	66499-40	66499-40
2	1	Screw	66499-41	66499-41
3	1	Dome washer	66499-42	66499-42
4	1	Stem	66499-43	66499-43
5	1	Stem bushing nut	66499-44	66499-44
6	1	Ball	66499-48	66499-48
7	2	End adapter	66499-51	69503-51
8	4	Bolt	66499-52	66499-52
9	4	Nut	66499-53	66499-53
10	1	Body	66499-54	66499-54
*	—	Service kit	83064	83064



LINCOLN, One Lincoln Way
St. Louis, Missouri 63120-1578
(314) 679-4200 Customer Service, (314) 679-4300

SECTION -F21
PAGE -20B



* FOR MODELS
69422 AND 69504 ONLY

VALVE DIMENSIONS

MODELS	A	B	C	D	E	F	G
69425	6-31/32"	2-7/8"	1-7/16"	31/32"	2-11/32"	2-3/64"	.656"
69423	7-3/8"	3-11/16"	1-27/32"	1-3/16"	2-5/8"	2-3/64"	.812"
69422	9-9/32"	4-9/16"	2-9/32"	1-13/16"	3-19/32"	3"	1.234"
69504	10"	5"	2-1/2"	2-3/32"	4-3/64"	3-25/64"	1.421"

SERVICE PARTS

MODEL	Valve Capacity Cv (Approx.)	Valve Rated At
69425	18 GPM	2500 PSI
69423	29 GPM	2500 PSI
69422	60 GPM	2000 PSI
69504	89 GPM	2000 PSI

CODE	QUAN	DESCRIPTION	MODELS			
			69425 3/4" NPT	69423 1" NPT	69422 1-1/2" NPT	69504 2" NPT
1	1	Handle	66499-25	66499-25	69423-1	69422-1
2	1	Stem	66499-27	69423-40	69422-35	69422-22
3	1	Locknut	69425-4	69425-4	69423-4	69422-4
4	1	Stop plate	—	—	69422-31	69504-31
5	1	Stem bushing nut	66499-26	66499-26	69423-26	69422-26
6	1	Ball	69503-4	69425-9	69422-39	69422-9
7	2	Adapter	69425-40	69423-41	69422-37	69504-37
8	4	Nut	66499-52	69423-46	69422-33	69504-33
9	4	Bolt	69425-44	69423-45	69422-34	69504-34
10	1	Body	69425-43	69423-44	69422-32	69504-32
11	1	Stop pin	66499-33	66499-33	69423-28	69422-28
**	—	Service kit	83067	83066	83065	83068

RETAIN THIS INFORMATION FOR FUTURE REFERENCE

When ordering replacement parts, list: Part Number, Description, Model Number, and Series Letter.

LINCOLN ST. LOUIS provides a Distributor Network that stocks equipment and replacement parts.

A list of Authorized Service Departments will be furnished upon request.