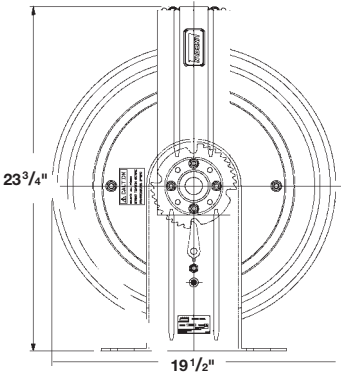
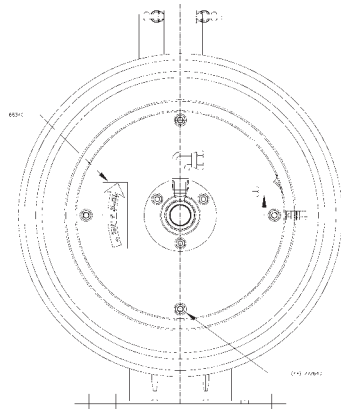


Lincoln's new 87000 Hose Reel family offers enhanced engineering design features to meet the needs of your demanding workplace with the value you require. An integral part of Lincoln's complete lubrication system, the 87000 Series serves your dispensing needs—low pressure for air or water, medium pressure for petroleum and synthetic based fluids (for example oil and transmission fluid) and high pressure for grease. Applications: New car/truck dealers, light duty lube trucks, fleet maintenance garages, oil change outlets, municipal garages, industry, truck stop oil change centers

Features

- Strong and reliable
- Seals are compatible with petroleum and synthetic based fluids
- Models for low, medium and high pressure
- Easy installation requirements
- Heavy gauge steel base and support provide exceptional strength to assembly
- Mounting base accepts both 6M/6H and HD 82206 mounting patterns and is slotted for easy installation
- Heavy duty polyurethane seals eliminate leakage
- Brass bushings provide long service life
- Baked-on powder coat finish creates a rugged corrosion resistant reel
- Stainless steel axle for air/water applications
- Low-, medium-, and high-pressure models
- Extra-wide hose guide eliminates flex
- 180° “opposed ratchet” design provides greater hose length adjustments
- Seven-position roller outlet arm with four-way roller assembly



Bare Reel Specifications

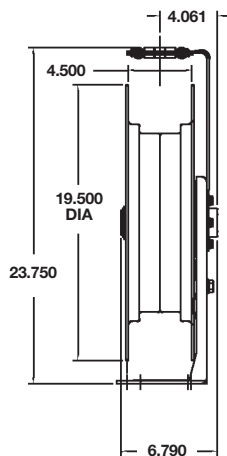
| Model | Application | Hose Capacity | | | Working Pressure Bare Reel, psi | Inlet/Outlet(f) |
|-------|---------------------|---------------|---------|--------|---------------------------------|-----------------|
| | | Rating | Type | Length | | |
| 87500 | Grease | SAE100R2 | 75, 76 | 50' | 8000 | 3/8" NPTF |
| 87300 | Oil | SAE100R3 | 73 | 60' | 2500 | 1/2" NPTF |
| 87700 | Air, ATF, Water, WW | RMA | Class A | 60' | 2500 | 1/2" NPTF |

Mounting Kit

Model 85641

Universal kit for mounting up to 12 reels, any series, open or decorative.

NOTE: For heavy duty lube truck applications, we recommend our Heavy Duty Reel series.



Basic Grease Assemblies *Less Hose End Control*

| Model Number | Description | Included with Reel Assemblies | | | | |
|--------------|-------------|-------------------------------|---------------|-----------------|-----------|------------------------|
| | | Bare Reel Model | Delivery Hose | Connecting Hose | Ball Stop | Control Valve or Meter |
| 87532 | 1/4" x 30' | 87500 | 75360 | 75024 | 85516 | NA |
| 87552 | 1/4" x 50' | 87500 | 75600 | 75024 | 85516 | NA |

Complete Grease Assemblies with Universal Swivel & Control Valve

| | | | | | | |
|--------|------------|-------|-------|-------|-------|-------------|
| 87532G | 1/4" x 30' | 87500 | 75360 | 75024 | 85516 | 81387 & 740 |
| 87552G | 1/4" x 50' | 87500 | 75600 | 75024 | 85516 | 81387 & 740 |

Medium Pressure Reels & Assemblies

Basic Fluid Lubricant Assemblies *Less Hose End Control*

| | | | | | | |
|-------|------------|-------|-------|-------|-------|----|
| 87334 | 1/2" x 30' | 87300 | 73360 | 73024 | 85517 | NA |
| 87354 | 1/2" x 50' | 87300 | 73600 | 73024 | 85517 | NA |

Complete Fluid Lubricant, Antifreeze & WW Fluid Assemblies with Control Valve or Meter

| 30' OIL REEL MODELS | | | | | | |
|---------------------|---|-------|-------|-------|-------|-----|
| 87334C | 1/2" x 30' with Control Valve | 87300 | 73360 | 73024 | 85517 | 769 |
| 87334D | 1/2" x 30' with Electronic Meter | 87300 | 73360 | 73024 | 85517 | 977 |
| 87334E | 1/2" x 30' with Liter Meter | 87300 | 73360 | 73024 | 85517 | 899 |
| 87334L | 1/2" x 30' with Pints Gear Lube Meter | 87300 | 73360 | 73024 | 85517 | 878 |
| 87334M | 1/2" x 30' with Quarts Meter | 87300 | 73360 | 73024 | 85517 | 877 |
| 87334N | 1/2" x 30' with Gear Lube Control Valve | 87300 | 73360 | 73024 | 85517 | 780 |
| 87334R | 1/2" x 30' with Control Valve | 87300 | 73360 | 73024 | 85517 | 779 |
| 87334T | 1/2" x 30' with Quarts ATF Meter | 87300 | 73360 | 73024 | 85517 | 883 |
| 50' OIL REEL MODELS | | | | | | |
| 87354C | 1/2" x 50' with Control Valve | 87300 | 73600 | 73024 | 85517 | 769 |
| 87354D | 1/2" x 50' with Electronic Meter | 87300 | 73600 | 73024 | 85517 | 977 |
| 87354E | 1/2" x 50' with Liter Meter | 87300 | 73600 | 73024 | 85517 | 899 |
| 87354L | 1/2" x 50' with Pints Gear Lube Meter | 87300 | 73600 | 73024 | 85517 | 878 |
| 87354M | 1/2" x 50' with Quarts Meter | 87300 | 73600 | 73024 | 85517 | 877 |
| 87354N | 1/2" x 50' with Gear Lube Control Valve | 87300 | 73600 | 73024 | 85517 | 780 |
| 87354R | 1/2" x 50' with Control Valve | 87300 | 73600 | 73024 | 85517 | 779 |
| 87354T | 1/2" x 50' with Quarts ATF Meter | 87300 | 73600 | 73024 | 85517 | 883 |

Low Pressure Reels & Assemblies

Basic Air, Water *Less Hose End Control*

| | | | | | | |
|-------|------------|-------|--------|-------|-------|----|
| 87732 | 1/4" x 30' | 87700 | 72360 | 74024 | 85515 | NA |
| 87733 | 3/8" x 30' | 87700 | 72360A | 74024 | 85516 | NA |
| 87752 | 1/4" x 50' | 87700 | 72600 | 74024 | 85515 | NA |
| 87753 | 3/8" x 50' | 87700 | 72600A | 74024 | 85516 | NA |
| 87754 | 1/2" x 50' | 87700 | 74600 | 74024 | 85517 | NA |

Complete Air Assemblies with Air Coupler & Tire Chuck

| | | | | | | |
|--------|------------|-------|--------|-------|-------|-----------------|
| 87732A | 1/4" x 30' | 87700 | 72360 | 74024 | 85515 | 815/11659/66951 |
| 87733A | 3/8" x 30' | 87700 | 72360A | 74024 | 85516 | 815/11659/66951 |
| 87752A | 1/4" x 50' | 87700 | 72600 | 74024 | 85515 | 815/11659/66951 |
| 87753A | 3/8" x 50' | 87700 | 72600A | 74024 | 85516 | 815/11659/66951 |
| 87754A | 1/2" x 50' | 87700 | 74600 | 74024 | 85517 | 815/11659/66951 |

Complete Water Assemblies with Water Bibb Cock

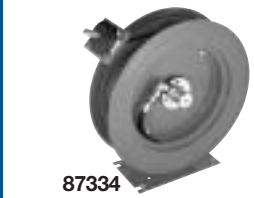
| | | | | | | |
|--------|------------|-------|--------|-------|-------|---------------|
| 87732W | 1/4" x 30' | 87700 | 72360 | 74024 | 85515 | 846 Bibb Cock |
| 87733W | 3/8" x 30' | 87700 | 72360A | 74024 | 85516 | 846 Bibb Cock |
| 87752W | 1/4" x 50' | 87700 | 72600 | 74024 | 85515 | 846 Bibb Cock |
| 87753W | 3/8" x 50' | 87700 | 72600A | 74024 | 85516 | 846 Bibb Cock |
| 87754W | 1/2" x 50' | 87700 | 74600 | 74024 | 85517 | 846 Bibb Cock |



87552



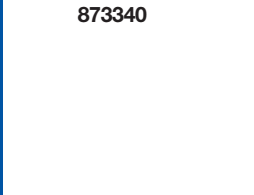
87532G



87334



87334R



87334T



87732



87732A

General Lubrication Products

Heavy Duty Series Hose Reels



The Heavy Duty Series reels are the finest Lincoln lube reels ever designed. Years of engineering, testing and experience preceded their introduction. The quality and reliability the professional expects from Lincoln is not only met but exceeded in form and function by the HD Series. Value, long-life and top performance were the criteria demanded before these incredible reels were released.

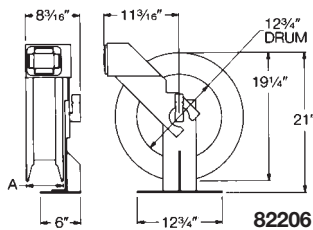
You should expect the best from Lincoln... the HD Series reel delivers it.



82206

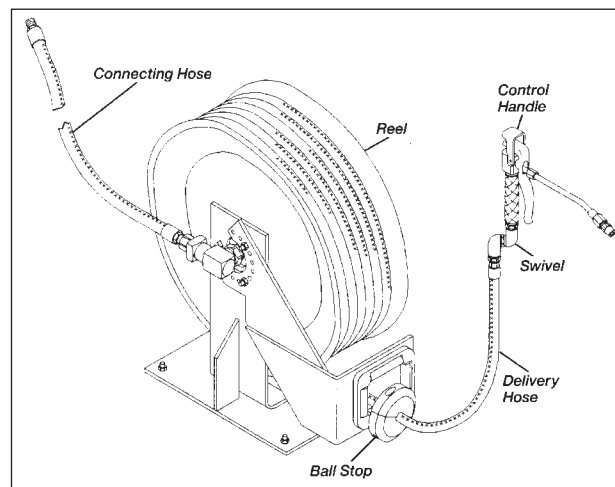
Features

- All bare reels rated for high, medium and low pressure
- Reel assemblies available in standard 30', 40' and 50' hose lengths
- Dual needle roller bearings
- Ball bearing inlet swivel design
- Quick disconnects on delivery and connecting hose
- Spring canister with seals
- Thirteen position roller outlet arm
- Delrin rollers
- Quarter-inch thick steel welded base and roller outlet arm
- Reel sheaves are rolled
- Components individually powder painted for long life and scratch resistance
- All reel assemblies factory assembled and pressure tested to insure a quality leak-free installation every time
- Basic reel assemblies can be ordered with one model number; include delivery hose, ball stop and connecting hose
- Complete reel assemblies with meter, control valve or air coupler are also available as one model number
- Backed by a five year limited warranty. See your Lincoln representative for details



Bare Reel Specifications

| Model | Lincoln Reel Application | Hose Capacity | | | Working Pressure | Sheave Width | Inlet/Outlet |
|-------|--------------------------|---------------|---------|--------|------------------|--------------|--------------|
| | | Rating | Type | Length | | | |
| 82206 | Heavy duty long length | SAE100R2 | 75 | 50' | 5000 | 5 1/2" | 1/2" NPTF |
| | | SAE100R2 | 76A | 50' | 5000 | 5 1/2" | 1/2" NPTF |
| | | SAE100R2 | 76B | 50' | 5000 | 5 1/2" | 1/2" NPTF |
| | | SAE100R3 | 73 | 50' | 5000 | 5 1/2" | 1/2" NPTF |
| | | SAE100R1 | 78 | 50' | 5000 | 5 1/2" | 1/2" NPTF |
| | | RMA | Class A | 50' | 5000 | 5 1/2" | 1/2" NPTF |



Typical Complete Hose Reel Assembly

Mounting Kits

Model 85641

Universal kit for mounting up to 12 reels, any series, open or decorative.

General Lubrication Products

Heavy Duty High Pressure Reels & Assemblies



85050

Basic Grease Assemblies *Less Hose End Control*

| Basic Reel | Bare Reel | Delivery Hose | Hose Size | Connecting Hose | Ball Stop | Control Valve |
|------------|-----------|---------------|------------|-----------------|-----------|---------------|
| 85003 | 82206 | 75240 | 20' x 1/4" | 75024 | 85516 | NA |
| 85003-30 | 82206 | 75360 | 30' x 1/4" | 75024 | 85516 | NA |
| 85004 | 82206 | 75480 | 40' x 1/4" | 75024 | 85516 | NA |
| 85004-50 | 82206 | 75600 | 50' x 1/4" | 75024 | 85516 | NA |
| 85006-30B | 82206 | 76360B | 30' x 3/8" | 76024B | 85517 | NA |
| 85004-50B | 82206 | 76600B | 50' x 3/8" | 76024B | 85517 | NA |
| 85008-50A | 82206 | 76600A | 50' x 1/2" | 76024A | 85517 | NA |

Complete Grease Assemblies *with Universal Swivel & Control Valve*

| Assembly Model | <i>Included with Reel Assemblies (Quantity)</i> | | | | | | | |
|----------------|---|---------------|------------|-----------------|-----------|---------------|--------|----------|
| | Bare Reel | Delivery Hose | Hose Size | Connecting Hose | Ball Stop | Control Valve | Swivel | Nipple |
| 85050 | 82206 | 75360 | 30' x 1/4" | 75024 | 85516 | 740 | 81387 | 12957(2) |
| 85051 | 82206 | 75600 | 50' x 1/4" | 75024 | 85516 | 740 | 81387 | 12957(2) |

Medium Pressure Reels & Assemblies

Basic Fluid Lubricant, Antifreeze & WW Fluid Assemblies *Less Hose End Control*

| Basic Reel | Bare Reel | Delivery Hose | Hose Size | Connecting Hose | Ball Stop | Control Valve |
|------------|-----------|---------------|------------|-----------------|-----------|---------------|
| 83463 | 82206 | 73240 | 20' x 1/2" | 73024 | 85517 | NA |
| 83463-30 | 82206 | 73360 | 30' x 1/2" | 73024 | 85517 | NA |
| 83464 | 82206 | 73480 | 40' x 1/2" | 73024 | 85517 | NA |
| 83464-50 | 82206 | 73600 | 50' x 1/2" | 73024 | 85517 | NA |
| 85009-50 | 82206 | 78600 | 50' x 5/8" | 78024 | 84347 | NA |

Complete Medium Pressure Assemblies—Gear Lube

| | | | | | | |
|-------|-------|-------|------------|-------|-------|-------------|
| 85052 | 82206 | 73360 | 30' x 1/2" | 73024 | 85517 | 780 |
| 85053 | 82206 | 73600 | 50' x 1/2" | 73024 | 85517 | 780 |
| 85054 | 82206 | 73360 | 30' x 1/2" | 73024 | 85517 | 878 (meter) |
| 85055 | 82206 | 73600 | 50' x 1/2" | 73024 | 85517 | 878 (meter) |

Complete Medium Pressure Assemblies—Oils

| | | | | | | |
|-------|-------|-------|------------|-------|-------|--------------|
| 85056 | 82206 | 73360 | 30' x 1/2" | 73024 | 85517 | 877 (meter) |
| 85057 | 82206 | 73600 | 50' x 1/2" | 73024 | 85517 | 877 (meter) |
| 85058 | 82206 | 73360 | 30' x 1/2" | 73024 | 85517 | 3866 (meter) |
| 85059 | 82206 | 73600 | 50' x 1/2" | 73024 | 85517 | 3866 (meter) |

Complete Medium Pressure Assemblies—Oils *Elec/Digital*

| | | | | | | |
|-------|-------|-------|------------|-------|-------|-------------|
| 85060 | 82206 | 73360 | 30' x 1/2" | 73024 | 85517 | 967 (meter) |
| 85061 | 82206 | 73600 | 50' x 1/2" | 73024 | 85517 | 967 (meter) |

Low Pressure Reels & Assemblies

Basic Air, Water *Less Hose End Control*

| | | | | | | |
|----------|-------|--------|------------|--------|-------|----|
| 85232 | 82206 | 72360 | 30' x 1/4" | 72024 | 85515 | NA |
| 85002 | 82206 | 72480 | 40' x 1/4" | 72024 | 85515 | NA |
| 85011 | 82206 | 72600 | 50' x 1/4" | 72024 | 85515 | NA |
| 85002A | 82206 | 72480A | 40' x 3/8" | 72024A | 85516 | NA |
| 85001 | 82206 | 72600A | 50' x 3/8" | 72024A | 85516 | NA |
| 85005 | 82206 | 74480 | 40' x 1/2" | 74024 | 85517 | NA |
| 85010-50 | 82206 | 74600 | 50' x 1/2" | 74024 | 85517 | NA |

Complete Low Pressure Assemblies—Air Service

| Assembly Model | <i>Included with Reel Assemblies</i> | | | | | | | | |
|----------------|--------------------------------------|---------------|------------|-----------------|-----------|-------------|--------|-----------|-------------|
| | Bare Reel | Delivery Hose | Hose Size | Connecting Hose | Ball Stop | Air Coupler | Nipple | Air Chuck | Bushing |
| 85062 | 82206 | 72600 | 50' x 1/4" | 74024 | 85515 | 815 | 11659 | 66951 | 12080 |
| 85063 | 82206 | 72600A | 50' x 3/8" | 74024 | 85516 | 815 | 11659 | 66951 | 67069/10049 |

Complete Low Pressure Assemblies—Water Service

| Assembly Model | <i>Included with Reel Assemblies</i> | | | | | | | |
|----------------|--------------------------------------|---------------|------------|-----------------|-----------|-------------|-----------|--|
| | Bare Reel | Delivery Hose | Hose Size | Connecting Hose | Ball Stop | Bushings | Bibb Cock | |
| 85064 | 82206 | 72600 | 50' x 1/4" | 74024 | 85515 | 12080 | 846 | |
| 85065 | 82206 | 72600A | 50' x 3/8" | 74024 | 85516 | 67069/10049 | 846 | |



85060



85065

General Lubrication Products

Decorative Hose Reels—D87000, 3100, 3200 Series



Lincoln's decorative overhead hose reel cabinets are constructed of a lightweight, durable resin. This design offers dramatically reduced installation time and ease of maintenance. The modular design eliminates reel enclosure end panels. Decorative cabinet models are dent and scratch resistant, non-conductive and non-corrosive.



Features

Complete model assemblies include

- Reel
- Inlet and delivery hoses
- Ball stop
- Delivery kit (meter, etc.)
- Individual cabinet and base assembly
- Universal mounting bracket 85641 available. Allows installation of up to 12 different reel assemblies—open or decorative. Order separately.

Decorative Reel Assemblies

| Reel Type | Hose Length | Cabinet | Mounting Kit (1 Reel) | Universal Mounting Kit (1-12 Reels) |
|-----------------------|-------------|---------|-----------------------|-------------------------------------|
| Series 87000 Standard | 30' | 85640 | 85642 | 85641 |
| Series 87000 Standard | 50' | 85640 | 85642 | 85641 |
| Heavy Duty | 30' | 85240 | 85242 | 85641 |
| Heavy Duty | 50' | 85240 | 85242 | 85641 |

Mounting Kit

Model 85242 Heavy Duty Reel Mounting Kit

Mounts any HD Reel in an overhead reel bank.

Model 85642 Series 87000 Reel Mounting Kit

Mounts any Series 87000 Standard Reel in an overhead reel bank. Includes adapter plate assembly 85345.

Model 85641 Universal Mounting Kit

Universal mounting kit allows installation of up to twelve reels, any series, open or decorative. Twelve reels can be installed side by side with this kit or cut to fit your reel installation needs. Includes 2 mounting struts and hardware to mount 12 reels.

General Lubrication Products

Decorative Hose Reel Assemblies



Series D87000, Decorative 30 Feet

| Model | Description | Bare Reel | Delivery Hose (30') | Connecting Hose | Ball Stop | Hose End Controls | Swivel | Coupler | Nipple |
|---------|---|-----------|---------------------|-----------------|-----------|-------------------|--------|---------|--------|
| D87532G | Grease w/Control Valve & Swivel | 87500 | 75360 1/4" | 75024 | 85515 | 740 | 81387 | NA | NA |
| D87334C | Motor Oil/Antifreeze w/Electronic Meter | 87300 | 73360 1/2" | 73024 | 85517 | 769 | NA | NA | NA |
| D87334D | Motor Oil/Antifreeze w/Electronic Meter | 87300 | 73360 1/2" | 73024 | 85517 | 977 | NA | NA | NA |
| D87334M | Motor Oil/Antifreeze w/Quarts Meter | 87300 | 73360 1/2" | 73024 | 85517 | 877 | NA | NA | NA |
| D87334E | Motor Oil/Antifreeze w/Liter Meter | 87300 | 73360 1/2" | 73024 | 85517 | 899 | NA | NA | NA |
| D87334L | Gear Oil w/Pints Meter | 87300 | 73360 1/2" | 73024 | 85517 | 878 | NA | NA | NA |
| D87334N | Gear Oil w/Control Valve | 87300 | 73360 1/2" | 73024 | 85517 | 780 | NA | NA | NA |
| D87334R | Gear Oil w/Control Valve | 87300 | 73360 1/2" | 73024 | 85517 | 779 | NA | NA | NA |
| D87334T | ATF w/Quarts ATF Meter | 87300 | 73360 1/2" | 73024 | 85517 | 883 | NA | NA | NA |
| D87732A | Air w/Air Chuck | 87700 | 72360 1/4" | 74024 | 85515 | 66951 | NA | 815 | 11659 |
| D87733A | Air w/Air Chuck | 87700 | 72600A 3/8" | 74024 | 85516 | 66951 | NA | 815 | 11659 |
| D87732W | Water w/Bibb Cock | 87700 | 72360 1/4" | 74024 | 85515 | 846 | NA | NA | NA |
| D87733W | Water w/Bibb Cock | 87700 | 72360A 3/8" | 74024 | 85516 | 846 | NA | NA | NA |

Series D87000, Decorative, 50 Feet

| Model | Description | Bare Reel | Delivery Hose (50') | Connecting Hose | Ball Stop | Hose End Controls | Swivel | Coupler | Nipple |
|---------|---|-----------|---------------------|-----------------|-----------|-------------------|--------|---------|--------|
| D87552G | Grease w/Control Valve & Swivel | 87500 | 75600 1/4" | 75024 | 85515 | 740 | 81387 | NA | NA |
| D87354C | Motor Oil/Antifreeze w/Control Valve | 87300 | 73600 1/2" | 73024 | 85517 | 769 | NA | NA | NA |
| D87354D | Motor Oil/Antifreeze w/Electronic Meter | 87300 | 73600 1/2" | 73024 | 85517 | 977 | NA | NA | NA |
| D87354M | Motor Oil/Antifreeze w/Quarts Meter | 87300 | 73600 1/2" | 73024 | 85517 | 877 | NA | NA | NA |
| D87354E | Motor Oil/Antifreeze w/Liter Meter | 87300 | 73600 1/2" | 73024 | 85517 | 899 | NA | NA | NA |
| D87354L | Gear Oil w/Pints Meter | 87300 | 73600 1/2" | 73024 | 85517 | 878 | NA | NA | NA |
| D87354N | Gear Oil w/Control Valve | 87300 | 73600 1/2" | 73024 | 85517 | 780 | NA | NA | NA |
| D87354R | Gear Oil w/Control Valve | 87300 | 73600 1/2" | 73024 | 85517 | 779 | NA | NA | NA |
| D87354T | ATF w/Quarts ATF Meter | 87300 | 73600 1/2" | 73024 | 85517 | 883 | NA | NA | NA |
| D87752A | Air w/Air Chuck | 87700 | 72600 1/4" | 74024 | 85515 | 66951 | NA | 815 | 11659 |
| D87753A | Air w/Air Chuck | 87700 | 72600A 3/8" | 74024 | 85516 | 66951 | NA | 815 | 11659 |
| D87752W | Water w/Bibb Cock | 87700 | 72600 1/4" | 74024 | 85515 | 846 | NA | NA | NA |
| D87753W | Water w/Bibb Cock | 87700 | 72600A 3/8" | 74024 | 85516 | 846 | NA | NA | NA |

Series 3100 Heavy Duty, Decorative 30 Feet

| Model | Description | Bare Reel | Delivery Hose (30') | Connecting Hose | Ball Stop | Hose End Controls | Swivel | Coupler | Nipple |
|-------|---|-----------|---------------------|-----------------|-----------|-------------------|--------|---------|--------|
| 3191 | Grease w/Control Valve & Swivel | 82206 | 75360 1/4" | 75024 | 85515 | 740 | 81387 | | |
| 3189 | Motor Oil/Antifreeze w/Electronic Meter | 82206 | 73360 1/2" | 73024 | 85517 | 977 | NA | NA | NA |
| 3194 | Motor Oil/Antifreeze w/Quarts Meter | 82206 | 73360 1/2" | 73024 | 85517 | 877 | NA | NA | NA |
| 3195 | Gear Oil w/Pints Meter | 82206 | 73360 1/2" | 73024 | 85517 | 878 | NA | NA | NA |
| 3196 | Gear Oil w/Control Valve | 82206 | 73360 1/2" | 73024 | 85517 | 780 | NA | NA | NA |
| 3197 | ATF w/Quarts ATF Meter | 82206 | 73360 1/2" | 73024 | 85517 | 883 | NA | NA | NA |
| 3193 | Air w/Air Chuck | 82206 | 72360 1/4" | 72024 | 85515 | 66951 | NA | 815 | 11659 |
| 3192 | Water w/Bibb Cock, 30' Hose | 82206 | 72360 1/4" | 72024 | 85515 | 846 | NA | NA | NA |

Series 3200 Heavy Duty, Decorative, 50 Feet

| Model | Description | Bare Reel | Delivery Hose (50') | Connecting Hose | Ball Stop | Hose End Controls | Swivel | Coupler | Nipple |
|-------|---|-----------|---------------------|-----------------|-----------|-------------------|--------|---------|--------|
| 3291 | Grease w/Control Valve & Swivel | 82206 | 75600 1/4" | 75024 | 85515 | 740 | 81387 | NA | NA |
| 3289 | Motor Oil/Antifreeze w/Electronic Meter | 82206 | 73600 1/2" | 73024 | 85517 | 977 | NA | NA | NA |
| 3294 | Motor Oil/Antifreeze Quarts Meter | 82206 | 73600 1/2" | 73024 | 85517 | 877 | NA | NA | NA |
| 3295 | Gear Oil w/Pints Meter | 82206 | 73600 1/2" | 73024 | 85517 | 878 | NA | NA | NA |
| 3296 | Gear Oil w/Control Valve | 82206 | 73600 1/2" | 73024 | 85517 | 780 | NA | NA | NA |
| 3297 | ATF w/Quarts ATF Meter | 82206 | 73600 1/2" | 73024 | 85517 | 883 | NA | NA | NA |
| 3198 | Air w/Air Chuck | 82206 | 72600 1/4" | 72024 | 85515 | 66951 | NA | 815 | 11659 |
| 3199 | Air w/Air Chuck | 82206 | 72600A 3/8" | 72024A | 85516 | 66951 | NA | 815 | 11659 |
| 3190 | Water w/Bibb Cock | 82206 | 72600A 3/8" | 72024A | 85516 | 846 | NA | NA | NA |

Extra Heavy Duty Reels for Applications that Require High Product Flow and/or Longer Hose such as Service Trucks, Lube Trucks, Transit Facilities and Large Fleet Shops.



84275

Model 84275

Extra heavy duty dual reel sheave support base design and large hose capacity make this 1/2" (inlet/outlet) reel the ideal high pressure reel for grease, petroleum oils, air and water.



84672

Model 84672

Extra heavy duty high flow design makes this 3/4" inlet/outlet reel the perfect medium pressure reel for petroleum oils, used fluid evacuation, air and water service.



84673

Model 84673

Extra heavy duty dual reel sheave support base, high flow design and large hose capacity make this 3/4" inlet/outlet reel the ideal medium pressure reel for petroleum oils, used fluid evacuation, air and water service.

Model 84432

Heavy duty dual reel sheave support base design and high flow swivel make this 1" inlet/outlet reel the ideal low pressure/volume reel. This reel is suitable for gasoline, diesel fuel, fuel oil, petroleum oil, used fluid evacuation, air and water.

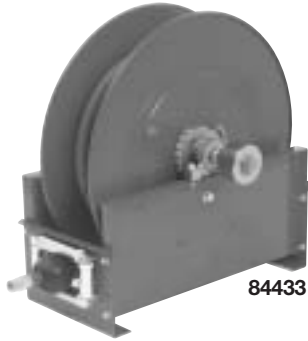


84432

High Flow Reel Specifications

| Model | Designation | SAE | HOSE CAPACITY | | Inlet/Outlet NPTF | Working Pressure psi | Sheave Width | INSTALLATION | |
|-------|---------------------------------|-------|-------------------------|--------|-------------------|----------------------|--------------|--------------|---------|
| | | | Type | Length | | | | Width | Depth |
| 84275 | Extra heavy duty large capacity | 100R1 | 78 | 75' | 1/2" | 5000 | 10" | 13 1/8" | 12 3/4" |
| | | 100R2 | 75/76A/76B | 75' | | | | | |
| | | 100R3 | 73 | 75" | | | | | |
| 84672 | Extra heavy duty high flow | 100R1 | 3/4"ID x 1 1/4"OD 78 | 30' | 3/4" | 2000 | 5 1/2" | 9 15/16" | 12 3/4" |
| 84673 | Large capacity | 100R1 | 3/4"ID x 1 1/4"OD 78 | 75' | 3/4" | 2000 | 10" | 14 1/2" | 12 3/4" |
| | | 100R1 | 78 | 75' | | | | | |
| 84432 | Heavy duty volume | 100R3 | 1"OD low pressure | 50' | 1" | 300 | 8" | 15 3/4" | 24 1/4" |

Contact Lincoln for more information regarding super duty reels with extra large hose capacity suitable for aircraft fuels.



Model 84433

1" x 50' volume fuel reel assembly comes complete with spring powered reel 84432, 1" x 50' delivery hose 247926, ball stop 84257 and 1" x 2' connecting hose. Order control valve/nozzle separately.

Fuel Nozzles

Model 69690

1 1/4" NPT(f) inlet, 50 psi. Aluminum body and outlet tube.

Model 69825

Auto shut-off, 1" NPT(f) inlet, 50 psi. Aluminum body and outlet tube.

Model 69824

Same as 69825 except 3/4" NPT(f) inlet.



High Flow Reel Assemblies

| Basic Reel | Bare Reel | Delivery Hose | Hose Size | Connecting Hose | Ball Stop | Control Valve |
|------------|-----------|---------------|-----------|-----------------|-----------|------------------|
| 84433 | 84432 | 247926 | 1" x 50' | 247925 | 84257 | order separately |

Recommended Mounting/Application

| Bare Reel | Mounting | Applications |
|-----------|----------------------------------|---|
| 84275 | Floor, wall, ceiling, lube truck | Grease, oils, air |
| 84672 | Floor, wall, ceiling, lube truck | Oils, used fluid evacuation, air, water |
| 84673 | Floor, wall ceiling, lube truck | Oils, used fluid evacuation, air, water |
| 84432 | Floor, platform, lube truck | Fuel, volume oils, used fluid evac., air, water |

WARNING

Reels used with hazardous fluids or fuels, hose with static grounding wire must be used. For aircraft fuels, a separate static grounding cable must be furnished by the user. Consult federal and local codes for details.

Lincoln high, medium & low pressure hoses—every size for every application

High Pressure Hose—Grease

| Model | Size | Hose Type/SAE | Inches | | Thread | Max Pressure psi (bar) Working |
|--------|------|---------------|--------|-------|------------|-----------------------------------|
| | | | ID | OD | | |
| 75024 | 2' | 75/100R2A | 1/4 | 11/16 | 1/2"-27(f) | 5000 (340) |
| 75060 | 5' | 75/100R2A | 1/4 | 11/16 | 1/2"-27(f) | 5000 (340) |
| 75084 | 7' | 75/100R2A | 1/4 | 11/16 | 1/2"-27(f) | 5000 (340) |
| 75120 | 10' | 75/100R2A | 1/4 | 11/16 | 1/2"-27(f) | 5000 (340) |
| 75168 | 14' | 75/100R2A | 1/4 | 11/16 | 1/2"-27(f) | 5000 (340) |
| 75240 | 20' | 75/100R2A | 1/4 | 11/16 | 1/2"-27(f) | 5000 (340) |
| 75360 | 30' | 75/100R2A | 1/4 | 11/16 | 1/2"-27(f) | 5000 (340) |
| 75480 | 40' | 75/100R2A | 1/4 | 11/16 | 1/2"-27(f) | 5000 (340) |
| 75600 | 50' | 75/100R2A | 1/4 | 11/16 | 1/2"-27(f) | 5000 (340) |
| 76024B | 2' | 76B/100R2 | 3/8 | 27/32 | 1/2"NPT(f) | 4000 (272) |
| 76120B | 10' | 76B/100R2 | 3/8 | 27/32 | 1/2"NPT(f) | 4000 (272) |
| 76360B | 30' | 76B/100R2 | 3/8 | 27/32 | 1/2"NPT(f) | 4000 (272) |
| 76600B | 50' | 76B/100R2 | 3/8 | 27/32 | 1/2"NPT(f) | 4000 (272) |
| 76900B | 75' | 76B/100R2 | 3/8 | 27/32 | 1/2"NPT(f) | 4000 (272) |
| 76024A | 2' | 76B/100R2 | 1/2 | 27/32 | 1/2"NPT(f) | 4000 (272) |
| 76600A | 50' | 76B/100R2 | 1/2 | 27/32 | 1/2"NPT(f) | 4000 (272) |

Medium Pressure Hose—Oil, Gear Lube & Antifreeze

| | | | | | | |
|---------|-----|------------|-----|-------|------------|------------|
| 73024 | 2' | 73/100R3 | 1/2 | 13/16 | 1/2"NPT(m) | 1500 (102) |
| 73036 | 3' | 73/100R3 | 1/2 | 13/16 | 1/2"NPT(m) | 1500 (102) |
| 73060 | 5' | 73/100R3 | 1/2 | 13/16 | 1/2"NPT(m) | 1500 (102) |
| 73120 | 10' | 73/100R3 | 1/2 | 13/16 | 1/2"NPT(m) | 1500 (102) |
| 73240 | 20' | 73/100R3 | 1/2 | 13/16 | 1/2"NPT(m) | 1500 (102) |
| 73360 | 30' | 73/100R3 | 1/2 | 13/16 | 1/2"NPT(m) | 1500 (102) |
| 73480 | 40' | 73/100R3 | 1/2 | 13/16 | 1/2"NPT(m) | 1500 (102) |
| 73600 | 50' | 73/100R3 | 1/2 | 13/16 | 1/2"NPT(m) | 1500 (102) |
| 73900 | 75' | 73/100R3 | 1/2 | 13/16 | 1/2"NPT(m) | 1500 (102) |
| 1230120 | 10' | 1230/100R2 | 3/4 | 1 1/4 | 3/4"NPT(m) | 2250 (153) |

Hose Accessories

Ball Stops

Lincoln Ball Stops are used to cushion and stop hose retraction.



| Model | Description | Hose Type | OD |
|-------|-------------|-------------------|------------------|
| 85515 | Adjustable | RMA Class A | 5/8" |
| 85516 | Adjustable | RMA Class A & 74 | 1 1/16" – 23/32" |
| 85517 | Adjustable | 73, 74, 76A & 76B | 27/32" – 31/32" |
| 84347 | Adjustable | 78 | 1 1/32" |
| 84122 | Adjustable | NA | 1 3/4" – 1 7/8" |
| 84257 | Adjustable | NA | 1 1/2" – 1 5/8" |

Low Pressure Hose—Air & Water

| Model | Size | Hose Industrial | Inches | | Thread | Max Pressure psi (bar) Working |
|--------|------|-----------------|--------|-------|------------|-----------------------------------|
| | | | ID | OD | | |
| 72024 | 2' | RMA Class A | 1/4 | 5/8 | 1/4"NPT(m) | 250 (17.01) |
| 72036 | 3' | RMA Class A | 1/4 | 5/8 | 1/4"NPT(m) | 250 (17.01) |
| 72060 | 5' | RMA Class A | 1/4 | 5/8 | 1/4"NPT(m) | 250 (17.01) |
| 72120 | 10' | RMA Class A | 1/4 | 5/8 | 1/4"NPT(m) | 250 (17.01) |
| 72240 | 20' | RMA Class A | 1/4 | 5/8 | 1/4"NPT(m) | 250 (17.01) |
| 72480 | 40' | RMA Class A | 1/4 | 5/8 | 1/4"NPT(m) | 250 (17.01) |
| 72600 | 50' | RMA Class A | 1/4 | 5/8 | 1/4"NPT(m) | 250 (17.01) |
| 72024A | 2' | RMA Class A | 3/8 | 23/32 | 3/8"NPT(m) | 250 (17.01) |
| 72360A | 30' | RMA Class A | 3/8 | 23/32 | 3/8"NPT(m) | 250 (17.01) |
| 72480A | 40' | RMA Class A | 3/8 | 23/32 | 3/8"NPT(m) | 250 (17.01) |
| 72600A | 50' | RMA Class A | 3/8 | 23/32 | 3/8"NPT(m) | 250 (17.01) |
| 74024 | 2' | RMA Class A | 1/2 | 27/32 | 1/2"NPT(m) | 200 (13.61) |
| 74060 | 5' | RMA Class A | 1/2 | 27/32 | 1/2"NPT(m) | 200 (13.61) |
| 74480 | 40' | RMA Class A | 1/2 | 27/32 | 1/2"NPT(m) | 200 (13.61) |
| 74600 | 50' | RMA Class A | 1/2 | 27/32 | 1/2"NPT(m) | 200 (13.61) |

Lincoln High Pressure Replacement Hose

Cross Reference

| Model | Original Threads | Replacement |
|----------|---------------------------|---|
| Alemite | 1/2"-27(f) x 1/2"-27(f) | Any Type 75 Hose |
| Aro | 1/8" NPT(m) x 1/8" NPT(f) | Any Type 75 Hose, 10199 Nipple, 10200 Bushing |
| Balcrank | 1/2"-27(f) x 1/2"-27(f) | Any Type 75 Hose |
| Graco | 1/4" NPT(m) x 1/4" NPT(m) | Any Type 75 Hose, Two (2) 10198 Bushing |

Hose Accessories

Nipples, Couplers & Bushings for Lincoln 75 Grease Hose

Nipples

| Model | Thread |
|-------|-----------------------------|
| 10198 | 1/4" NPT(m) x 1/2"-27(m) |
| 10199 | 1/8" NPT(m) x 1/2"-27(m) |
| 10202 | 1/2"-27 NPT(m) x 1/2"-27(m) |
| 12957 | 1/2" NPT(m) x 1/2"-27(m) |

Reducing Couplings

| | |
|-------|--------------------------|
| 11852 | 1/8" NPT(f) x 1/2"-27(f) |
| 10522 | 1/4" NPT(f) x 1/2"-27(f) |

Bushings

| | |
|-------|---------------------------|
| 10200 | 1/8" NPT (f) x 1/2"-27(m) |
| 10204 | 1/4" NPT(f) x 1/2"-27(m) |
| 12287 | 1/2"-27(f) x 1/2" NPT(m) |

