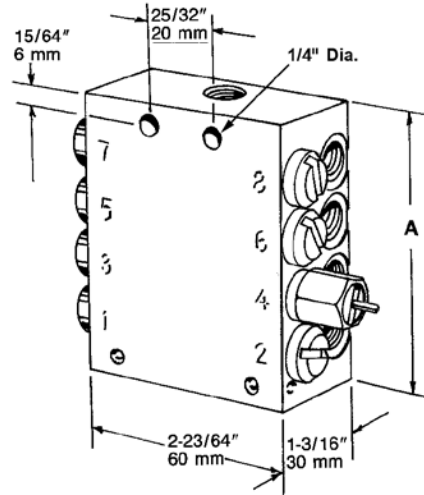


SSV Divider Valves



The SSV Divider Valve is the “heart” of a manual or automated Quickclub system. Featuring from six to 22 outlets, the SSV valve is available in carbon steel and 303 stainless steel for corrosive environments. Valves are available with cycle indicator pins to provide visual indication of system operation.

Specifications:

Construction Material	Max. Operating Pressure Min. Operating Pressure	Output/Cycle per Outlet cu. in. / cc	Lubricant Inlet	Lubricant Outlet	Operating Temperature	
					Min.	Max.
Carbon Steel	5076 psig / 350 bar 290 psig / 20 bar	.012 / .2	1/8" NPTF(F)	M10x1	-22°F (-30°C)	212°F (100°C)
Stainless Steel			1/8" BSPP(F)*			

Note: Lubricant outlet must use Lincoln Quickclub fittings. See Divider Valve Accessories section.

* 241650 stainless steel adapter available to convert inlet to 1/8" NPTF (F).

Model No.		Maximum Number of Outlets	Cycle Indicator Pin	Dimension A in. / mm
Carbon Steel	303 Stainless Steel			
619-27121-1		6	No	2.36 / 60
619-27122-1	619-27472-1		Yes	
619-26396-2		8	No	2.95 / 75
619-26646-2	619-27474-1		Yes	
619-26844-1		10	No	3.54 / 90
619-26845-2	619-27476-1		Yes	
619-26398-2		12	No	4.14 / 105
619-26648-2	619-27478-1		Yes	
619-29400-1		14	No	4.8 / 120
619-28899-1	619-29067-1		Yes	
619-29401-1		16	No	5.4 / 135
619-28900-1			Yes	
619-28901-1		18	Yes	5.9 / 150
619-28902-1		20	Yes	6.5/165
619-77254-1		22	Yes	7.1/180

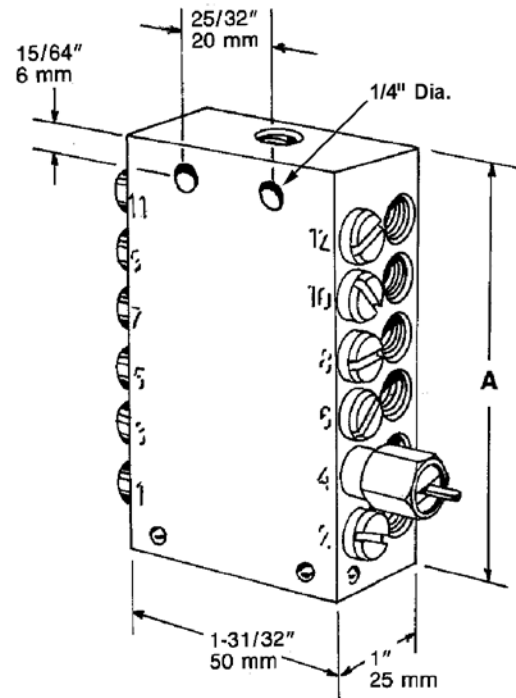
Note: You must use outlets 1 and 2 for each of the above referenced models to allow the system to operate properly.

SSV Divider Valve Accessories

Model Number	Description
249010	Cycle switch for providing feedback monitoring for SSV systems - 11" cable / 26-gauge wire

Note: Cycle switch can only be used with SSV Series Quickclub valves that have indicator pins. Remove slotted plug from indicator assembly on valve prior to installing switch.

SSVM Divider Valves



The SSVM Divider Valve is smaller in overall size than the SSV series and provides smaller volume output per outlet. Available with six to 12 outlets, the SSVM series valve is used primarily in oil system applications.

Specifications:

Construction Material	Maximum Operating Pressure	Output/Cycle per Outlet cu. in. / cc	Lubricant Inlet	Lubricant Outlet	Operating Temperature	
					Min.	Max.
Carbon Steel	2900 psig / 200 bar	.0037 / .07	1/8" NPTF(F)	M8x1	-22°F (-25°C)	212°F (70°C)

Model No.	Maximum Number of Outlets	Cycle Indicator Pin	Dimension A in. / mm
Carbon Steel			
619-26764-1	6	No	1.91 / 48.5
619-26765-3		Yes	
619-26650-1	8	No	2.36 / 60
619-26651-3		Yes	
619-26848-1	10	No	2.81 / 71.5
619-26849-2		Yes	
619-26653-1	12	No	3.26 / 83
619-26654-3		Yes	

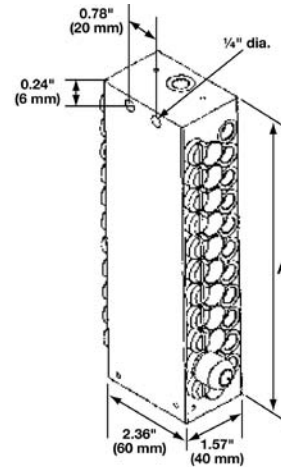
Note: You must use outlets 1 and 2 for each of the above referenced models to allow the system to operate properly.



Divider Valve Accessories

Model Number	Description
619-36732-1	Demonstration Valve (see-through block)
619-36732-2	Cut-away model valve (SSV8)

SSV-D Metering Device



SSV-D metering devices are adjustable per outlet pair, thus enabling lubricant requirements to be better met. The metering occurs within the block via metering screws that are available in ten different outputs (sold separately).

The outputs of the progressive metering device can be easily set, even after installation. Simply put in a different size metering screw! Tedious reassembly of entire metering device segments is a thing of the past.

The SSV-D can be integrated into system using standard SSV metering devices. Both metering device types also use the same components such as piston detector and outlet closure plugs.

Specifications:

Construction Material	Max. Operating Pressure	Output/Outlet Pair/Stroke cu. in. / cc	Lubricant Inlet	Lubricant Outlet	Operating Temperature
Carbon Steel	5076 psig / 350 bar	Min. .0049/.08 / Max. .110/1.8	1/8" NPTF(F)	M10x1	-13°F to 158°F / (-25°C to 70°C)

Model No.	Maximum Number of Outlets	Cycle Indicator Pin	Dimension A in. / mm	Number of Required Metering Screws
649-29535-1	6	No	2.75 / 70	3
649-29545-1		Yes		
649-29536-1	8	No	3.35 / 85	4
649-29546-1		Yes		
649-29537-1	10	No	3.94 / 100	5
649-29547-1		Yes		
649-29538-1	12	No	4.53 / 115	6
649-29548-1		Yes		
649-29539-1	14	No	5.12 / 130	7
649-29549-1		Yes		
649-29627-1	16	No	5.71 / 145	8
649-29635-1		Yes		
649-29628-1	18	No	6.3 / 160	9
649-29636-1		Yes		
649-29629-1	20	No	7.48 / 190	10
649-29637-1		Yes		
649-29630-1	22	No	7.48 / 190	11
649-29638-1		Yes		

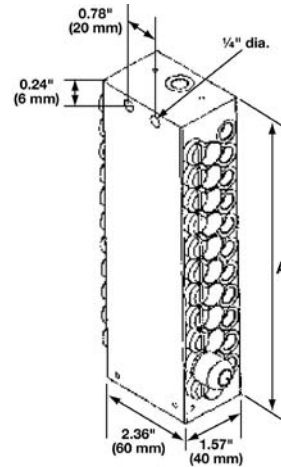
Note: You must use outlets 1 & 2 for each of the above reference models to allow the system to operate properly.

Metering Adjustment Screws

Output cu. in. / cc	Model Number	
	Sold as Each	Bag of 12
.0049 / 0.08	303-16118-1	549-34254-1
.0085 / 0.14	303-16119-1	549-34254-2
.012 / 0.2	303-16120-1	549-34254-3
.018 / 0.3	303-16121-1	549-34254-4
.024 / 0.4	303-16122-1	549-34254-5

Output cu. in. / cc	Model Number	
	Sold as Each	Bag of 12
.037 / 0.6	303-16123-1	549-34254-6
.049 / 0.8	303-16124-1	549-34254-7
.061 / 1.0	303-16125-1	549-34254-8
.085 / 1.4	303-16126-1	549-34254-9
.110 / 1.8	303-16127-1	549-34255-1

SSV-D Metering Device with Outlets 1 & 2 Together



For added installation flexibility, outlets 1 and 2 can be singled together. In this configuration, outlets #1 and #2 are internally connected thus doubling the output through one output port. See the chart below for models and outlet configurations.

Specifications:

Construction Material	Max. Operating Pressure	Output/Outlet Pair/Stroke cu. in. / cc	Lubricant Inlet	Lubricant Outlet	Operating Temperature
Carbon Steel	5076 psig / 350 bar	Min. .0049/.08 / Max. .110/1.8	1/8" NPT(F)	M10x1	-13°F to 158°F / (-25°C to 70°C)

Model No.	Description	Maximum Number of Outlets	Cycle Indicator Pin	Number of Required Metering Screws
649-29540-1	NPT SSVD 6/5-V1-A	5	No	3
649-29550-1	NPT SSVD 6/5-V1-K-A		Yes	
649-29541-1	NPT SSVD 8/7-V1-A	7	No	4
649-29551-1	NPT SSVD 8/7-V1-K-A		Yes	
649-29542-1	NPT SSVD 10/9-V1-A	9	No	5
649-29552-1	NPT SSVD 10/9-V1-K-A		Yes	
649-29543-1	NPT SSVD 12/11-V1-A	11	No	6
649-29553-1	NPT SSVD 12/11-V1-K-A		Yes	
649-29544-1	NPT SSVD 14/13-V1-A	13	No	7
649-29554-1	NPT SSVD 14/13-V1-K-A		Yes	
649-29631-1	NPT SSVD 16/15-V1-A	15	No	8
649-29639-1	NPT SSVD 16/15-V1-K-A		Yes	
649-29632-1	NPT SSVD 18/17-V1-A	18	No	9
649-29640-1	NPT SSVD 18/17-V1-K-A		Yes	
649-29633-1	NPT SSVD 20/19-V1-A	19	No	10
649-29641-1	NPT SSVD 20/19-V1-K-A		Yes	
649-29634-1	NPT SSVD 22/21-V1-A	21	No	11
649-29642-1	NPT SSVD 22/21-V1-K-A		Yes	

Note: A plug must be installed in outlets 1 or 2 but not both for the above referenced models to allow the system to operate properly. One metering screw needed per outlet pair for SSV-D metering device.