

Lubrication Fittings & Accessories

Threaded Fittings



On the straight and angle fittings, the ball check end or the greasing end is heat treated. The spin-drive and drive-type angle fittings are entirely heat treated. All fittings are zinc plated and have a supplemental coating.

1/4" - 28 Thread (Straight & Taper)

This type of thread is used mostly on cars and light trucks. The SAE-LT is a thread that conforms to the Society of Automotive Engineers lubrication fittings thread specification.



No. 5010
*No. 5010-1
1/4" -28 Taper Thd.
(SAE-LT)



No. 5527
1/4" -28 U.N.F.
2A Thd.



No. 5013
1/4" -28 Taper Thd.
(SAE-LT)



No. 5014
1/4" -28 Taper Thd.
(SAE-LT)



No. 5210
1/4" -28 Taper Thd.
(SAE-LT)



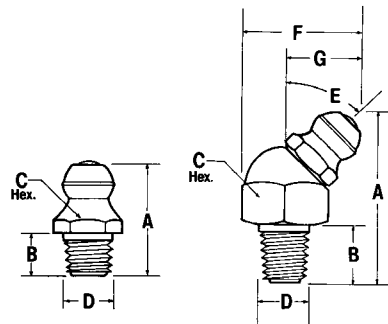
No. 5410
1/4" -28 Taper Thd.
(SAE-LT)



No. 700396
1/4" -28 Taper Thd.
(SAE-LT)

Part No.	A in./mm	B in./mm	C in./mm	D in./mm	E	F in./mm	G in./mm
5527	1 ⁷ / ₃₂ / 14.0	1 ¹ / ₆₄ / 4.4	9 ³² / 7.1	.250 / 6.4	—	—	—
5010	1 ⁷ / ₃₂ / 13.5	3 ¹⁶ / 4.8	5 ¹⁶ / 7.9	.260 / 6.6	—	—	—
* 5010-1	3 ⁵ / ₆₄ / 13.9	7 ³² / 5.6	5 ¹⁶ / 7.9	.260 / 6.6	—	—	—
5013	1 ¹ / ₁₆ / 17.5	2 ³ / ₆₄ / 9.1	5 ¹⁶ / 7.9	.260 / 6.6	—	—	—
5014	1 ⁵ / ₁₆ / 23.8	3 ⁹ / ₆₄ / 15.5	5 ¹⁶ / 7.9	.260 / 6.6	—	—	—
5210	1 ³ / ₁₆ / 20.6	1 ³ / ₆₄ / 5.1	3 ⁸ / 9.5	.260 / 6.6	45°	3 ⁷ / ₆₄ / 14.7	2 ⁷ / ₆₄ / 10.7
5410	3 ⁴ / 19.1	3 ¹⁶ / 4.8	3 ⁸ / 9.5	.260 / 6.6	90°	2 ¹ / ₃₂ / 16.7	1 ⁵ / ₃₂ / 11.9
700396	2 ⁵ / ₃₂ / 19.8	1 ⁹ / ₆₄ / 7.5	3 ⁸ / 9.5	.260 / 6.6	65°	2 ¹ / ₃₂ / 16.7	1 ⁵ / ₃₂ / 11.9

* Not illustrated. Same as No. 5010 but without Ball Check.





Quicklinec® Fittings

Use for connections to 1/4" nylon tubing only. Can be used with Zerk-Lock® adapter or be screwed directly into bearing.

Part No.	Description
243699	1/4" tube x 1/8" NPT male 90° swivel fitting
244047	1/4" tube x 1/8" NPT male straight fitting
244048	1/4" tube x 1/8" NPT male 90° fitting
244053	1/4" tube x 1/4" -28 male 90° swivel fitting
244054	1/4" tube x 1/4" -28 male 90° fitting
244055	1/4" tube x 1/4" -28 male straight fitting
244058	1/4" tube x 1/4" tube splicer union



Divider Valve Outlet & Inlet Adapters for use with 272401 and 272394 Hose Stud

Part No.	Description
272658	Valve outlet fitting with check - 10mm
272659	1/8" NPT male straight fitting

IMPORTANT: Use the valve adapters for connecting the 1/8" high pressure hose (incl. hose stud with groove) to the main divider valve. The collet of the adapter is not knurled and has a wide collar.

Part No.	Description
432-24313-1	Protective Quicklinec rubber boot

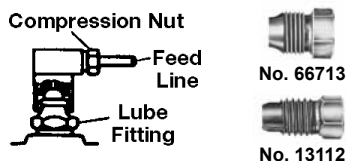


Standard Compression Fittings

Part No.	Description
241290	1/4" tube x 1/8" NPT male straight fitting
241293	1/4" tube x 1/8" NPT male 90° fitting

Snap-On Connector Fittings

Part No.	Description
241388	90° snap-on connector for 1/4" O.D. tubing
241389	Straight snap-on connector for 1/4" O.D. tubing
66713	Compression nut for 241388 and 241389
82617	Straight snap-on connector for 1/8" O.D. tubing
82618	90° snap-on connector for 1/8" O.D. tubing
13112	Compression nut



Tube Clamps for 1/4" O.D. Tubing

Part No.	A	B	C	No. of Tubes
64533-1	—	1/4" / 6.4	1/2" / 12.7	1
64533-2	15/16" / 23.8 mm	1/2" / 12.7	3/8" / 9.5	2
64533-3	13/16" / 30.2 mm	3/4" / 19.1	3/8" / 9.5	3
64533-4	17/16" / 36.5 mm	1" / 25.4	3/8" / 9.5	4
64533-5	111/16" / 42.9 mm	1 1/4" / 31.8	3/8" / 9.5	5

